

P.C.B LAND DIMENSION



GT-TC029X-HXXX-LXA

G-SWITCH

Operating Force

- A=160gf
- B=250gf
- C=100gf
- D=400gf

A=Base With Pilot
N=Non Pilot

Switch Height (mm)

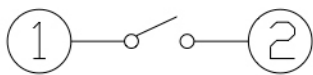
- H020=2.0mm
- H025=2.5mm
- H030=3.0mm

Switch lifetime (Force)

L1=100,000 Cycles

G-Switch Specification:

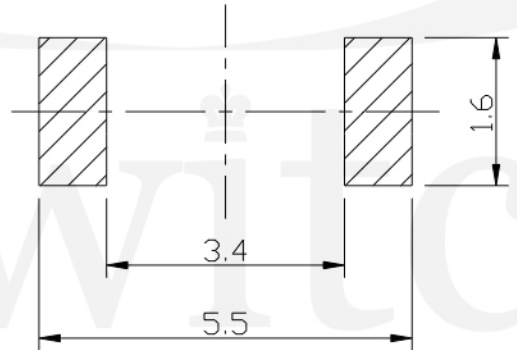
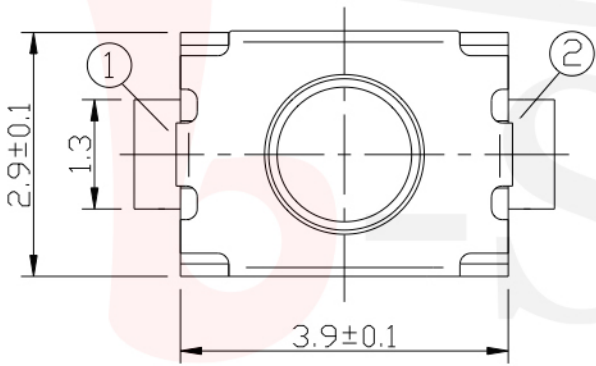
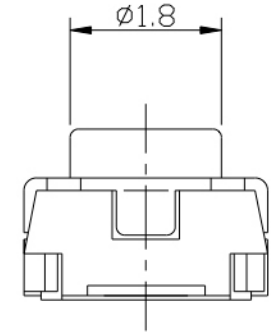
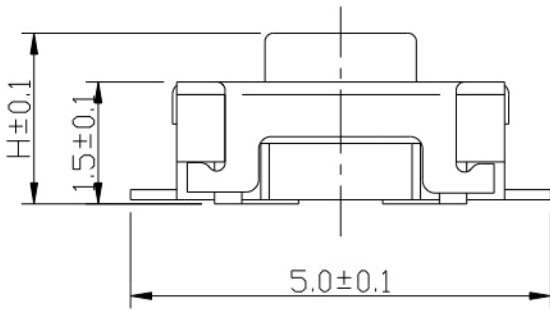
Operating temperature range : -30°Cto+85°C
 Rating : 50mA.12V DC
 Insulation resistance : 100MΩ min.100V DC
 Dielectric strength : 250V AC for 1 min
 Contact resistance : 100m Ω max.
 Travel:0.15±0.05mm



CIRCUIT DIAGRAM



	G-Switch Electronic (HongKong) CO.,Ltd.		
	Unless otherwise specified, Tolerance: X. ±0.30 X.x ±0.20 X.xx ±0.15 X.xxx ±0.10 Angles ±3°	DESIGN FengFengChen CHECKED DATE APPROVED DATE	DATE 2019.05.29 Molde code: GT-TC029X-HXXX-LXA
http://www.dg-switch.com TEL:0769-82388879	REV.: X1 SIZE: A4	SCALE: 4:1 SHEET: 1/1	UNIT: mm



P.C.B LAND DIMENSION



GT-TC029X-HXXX-LXN

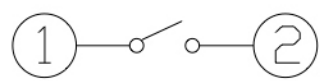
G-SWITCH

Operating Force
 A=160gf
 B=250gf
 C=100gf
 D=400gf

Switch Height (mm)
 H020=2.0mm
 H025=2.5mm
 H030=3.0mm

Switch lifetime (Force)
 L1=100,000 Cycles

A=Base With Pilot
 N=Non Pilot



CIRCUIT DIAGRAM



G-Switch Specification:

Operating temperature range : -30°Cto+85°C
 Rating : 50mA.12V DC
 Insulation resistance : 100MΩ min.100V DC
 Dielectric strength : 250V AC for 1 min
 Contact resistance : 100m Ω max.
 Travel:0.15±0.05mm

	G-Switch Electronic (HongKong) CO.,Ltd.		
	DESIGN FengFengChen	DATE 2019.05.29	Molde code: GT-TC029X-HXXX-LXN
	CHECKED	DATE	
	APPROVED	DATE	
Unless otherwise specified, Tolerance: X. ±0.30 X.x ±0.20 X.xx ±0.15 X.xxx ±0.10 Angles ±3°	http://www.dg-switch.com TEL:0769-82388879		REV.: X1 SCALE: 4:1 SIZE: A4
		UNIT: mm SHEET: 1/1	