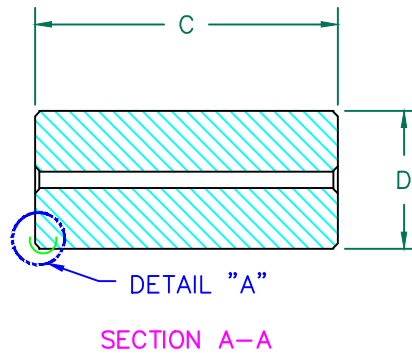


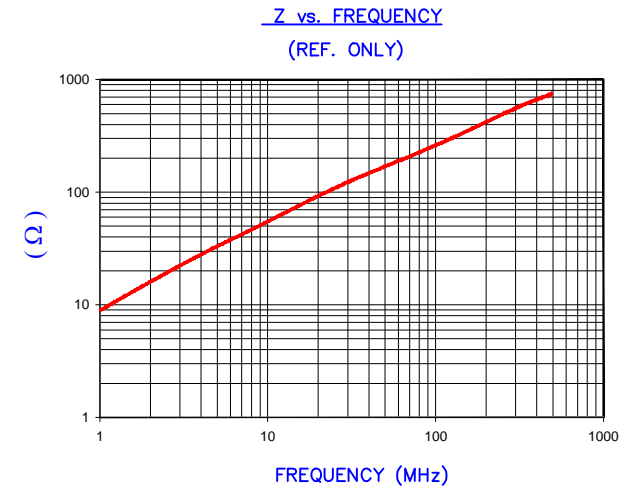
DETAIL A
SCALE: 8:1



UNCONTROLLED DOCUMENT



IMPEDANCE (Z)			
Frequency	25 MHz	100 MHz	300 MHz
Nominal (REF)	110 Ω	260 Ω	555 Ω
Minimum	- Ω	208 Ω	- Ω



AGILENT E4991A Impedance/Material Analyzer
HP 16092A Test Fixture, REF 2979

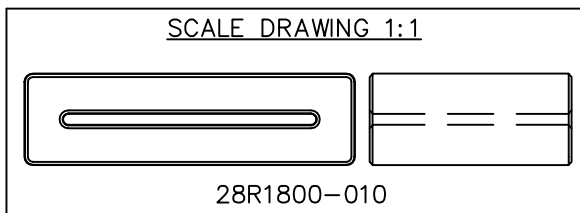
FERRITE CORE DIMENSIONS (SPEC): mm [Inches]

A	45.72 [1.800]	±	1.02 [.040]
B	35.05 [1.380]	±	0.76 [.030]
C	27.94 [1.100]	±	0.89 [.035]
D	12.70 [.500]	±	0.64 [.025]
E	1.52 [.060]	+ -	0.64 [.025] 0.00 [.000]

WEIGHT/1000 72.62 kgs [160.09 Lbs]

NOTES: UNLESS OTHERWISE SPECIFIED

1. COSMETIC SPECIFICATION REFER TO WI-QA-038.
2. USE SAME TOOLING AS 28R1775-000.



DIMENSIONS ARE IN mm [INCHES].				This print is the property of Laird Tech. and is loaned in confidence subject to return upon request and with the understanding that no copies shall be made without the written consent of Laird Tech. All rights to design or invention are reserved.			
F	DESCRIPTION	DATE	INT				
F	UPDATE COMPANY LOGO	01/07/13	QIU				
E	UPDATE MIN Z SPECS & COMPANY LOGO	07/27/07	TMB				
D	UPDATE MIN Z SPEC @100 Mhz REF 2979 UPDATE PART WEIGHT & SCALE OF DETAIL "A"	02/13/04	JRK				
C	UPDATE PRINT FORMAT & Z SPECS ADD Z CURVE	02/27/03	JRK				
B	ADDED NOTE # 1	08/17/99	BAC				
A	ORIGINAL DRAFT	12/01/97	BAC				
REV	DESCRIPTION	DATE	INT	PROJECT/PART NUMBER: 28R1800-010		REV F	DRAWN BY: BAC
				DATE: 12/01/97	SCALE: 1.5:1	MATERIAL: FERRITE	
				CAD # 28R1800-010-F	TOOL # R1775		