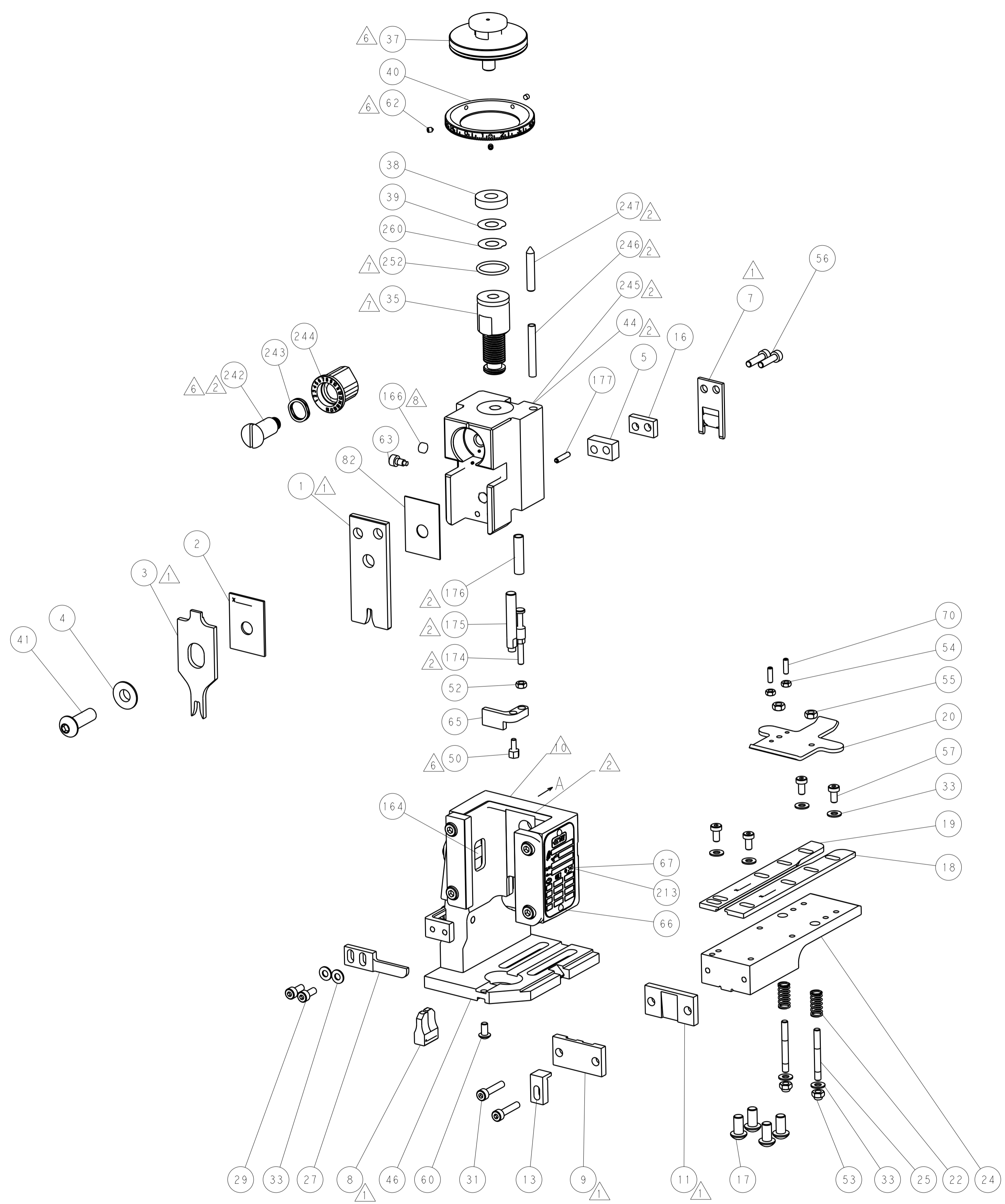
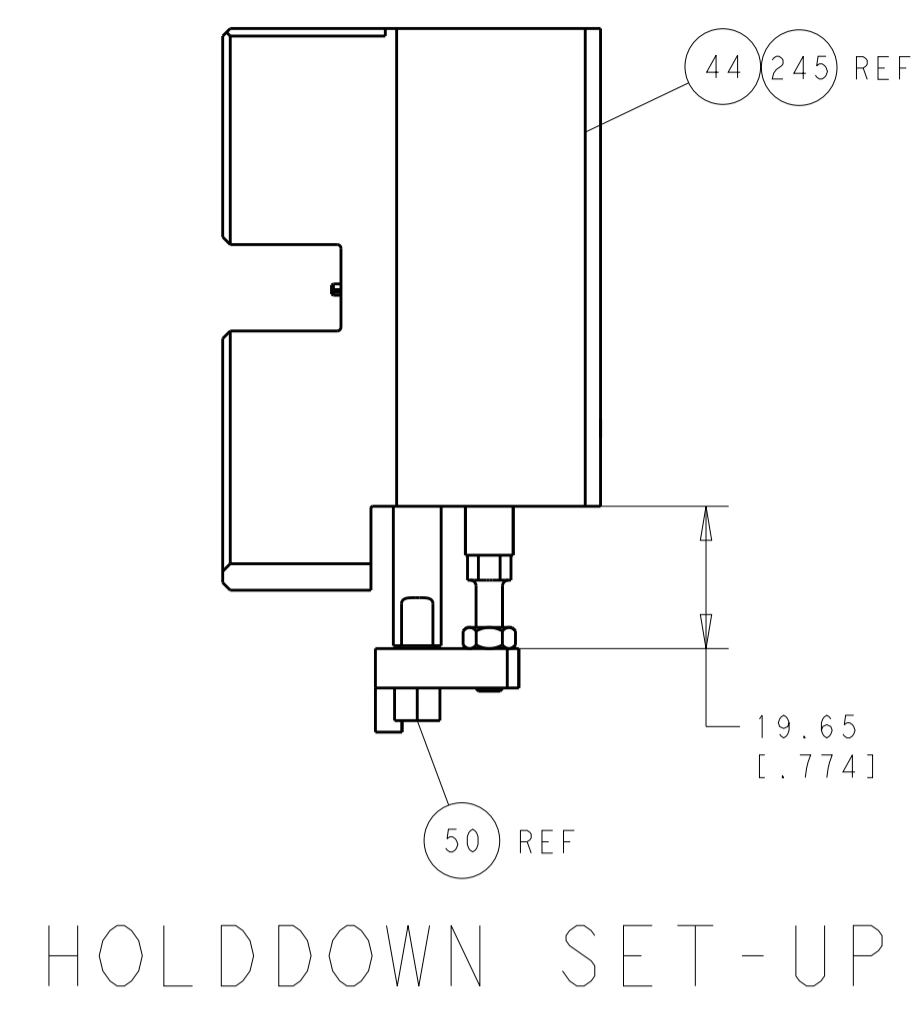
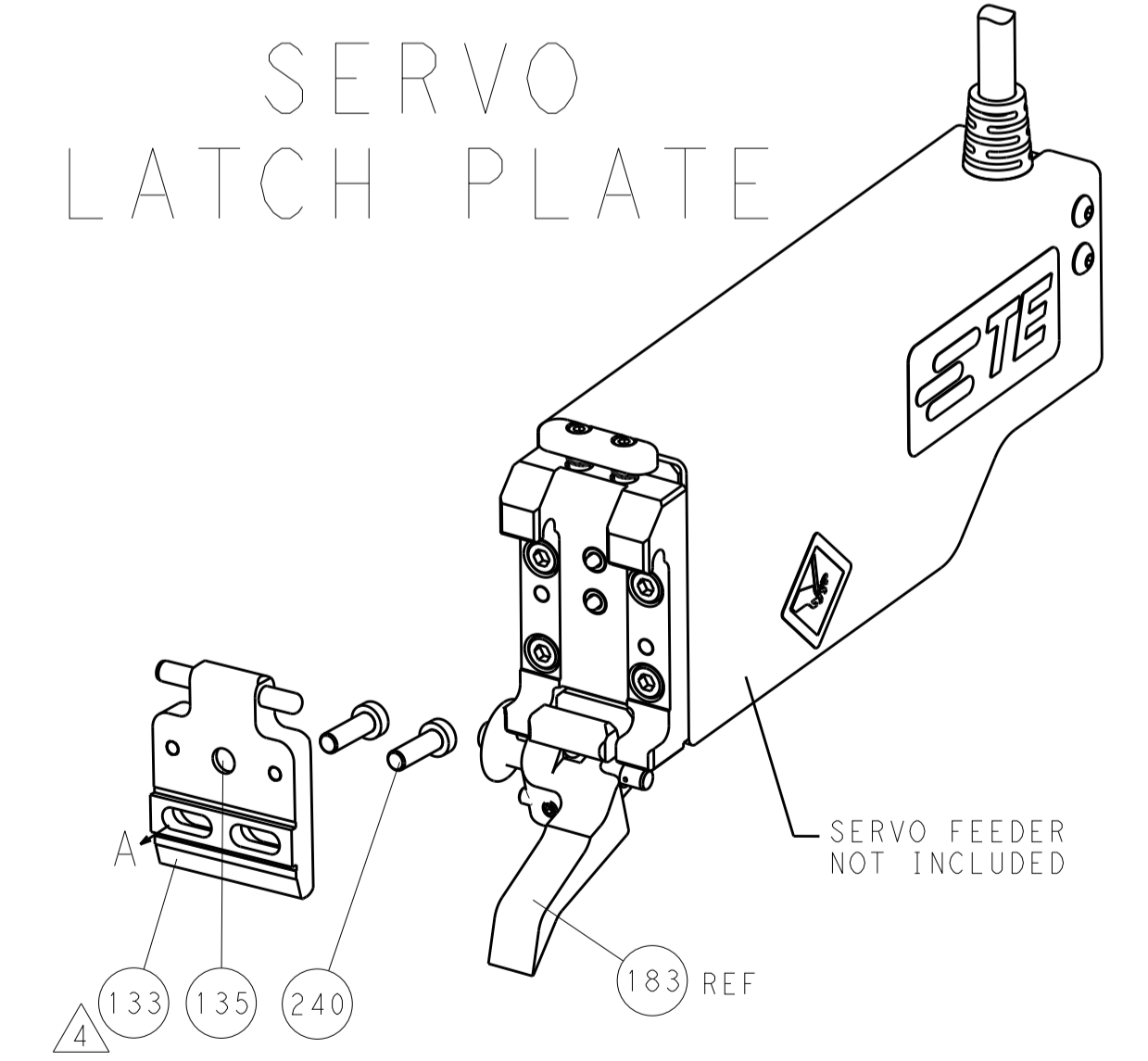
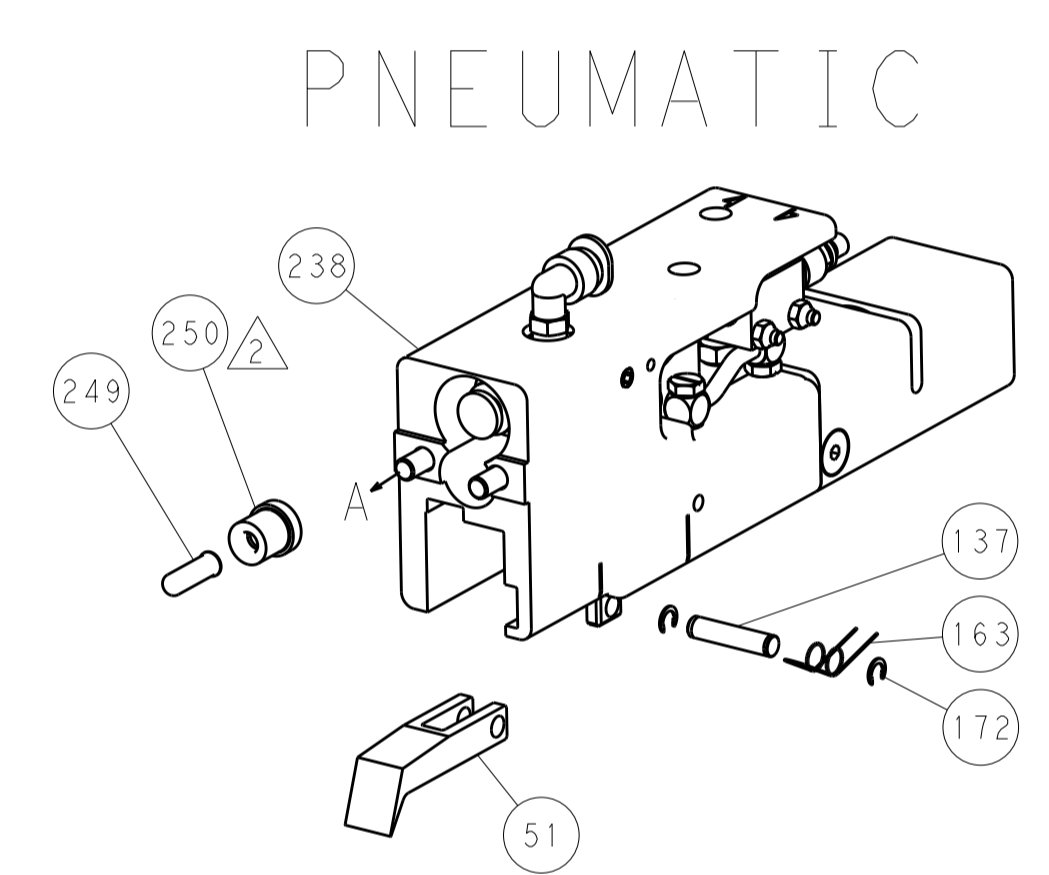


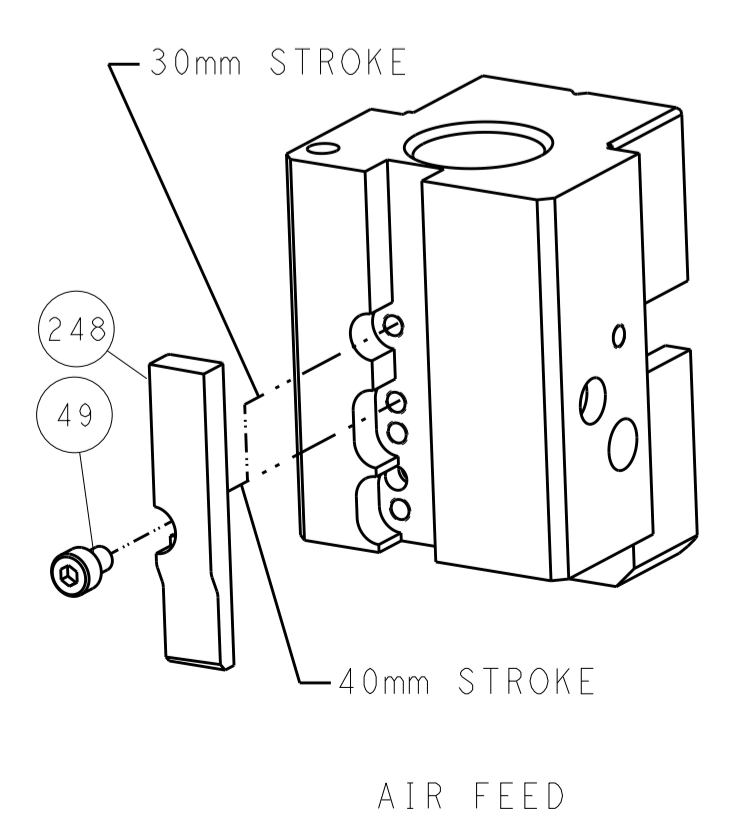
LOC		DIST		REVISIONS			
A	66	P	LTM	DESCRIPTION	DATE	OWN	APVD
		-	-	SEE SHEET 1			



FEED TYPE



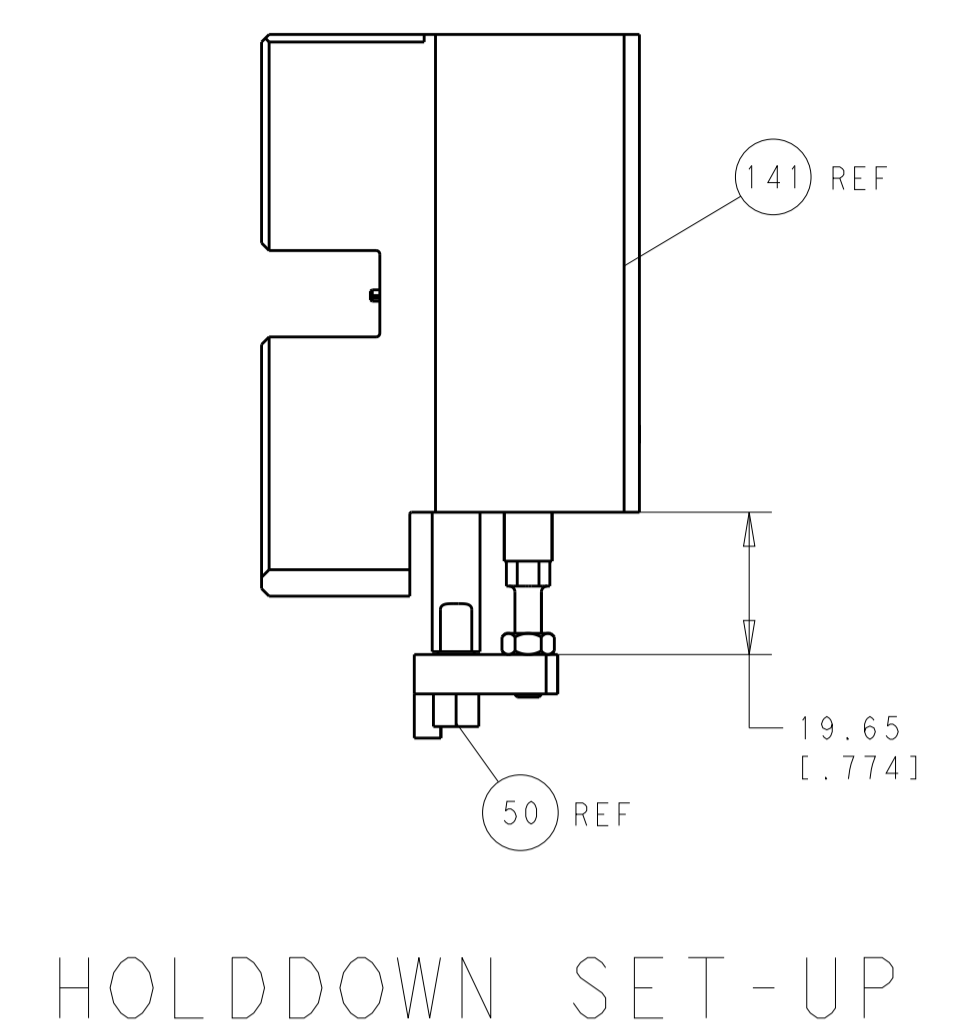
CAM POSITION



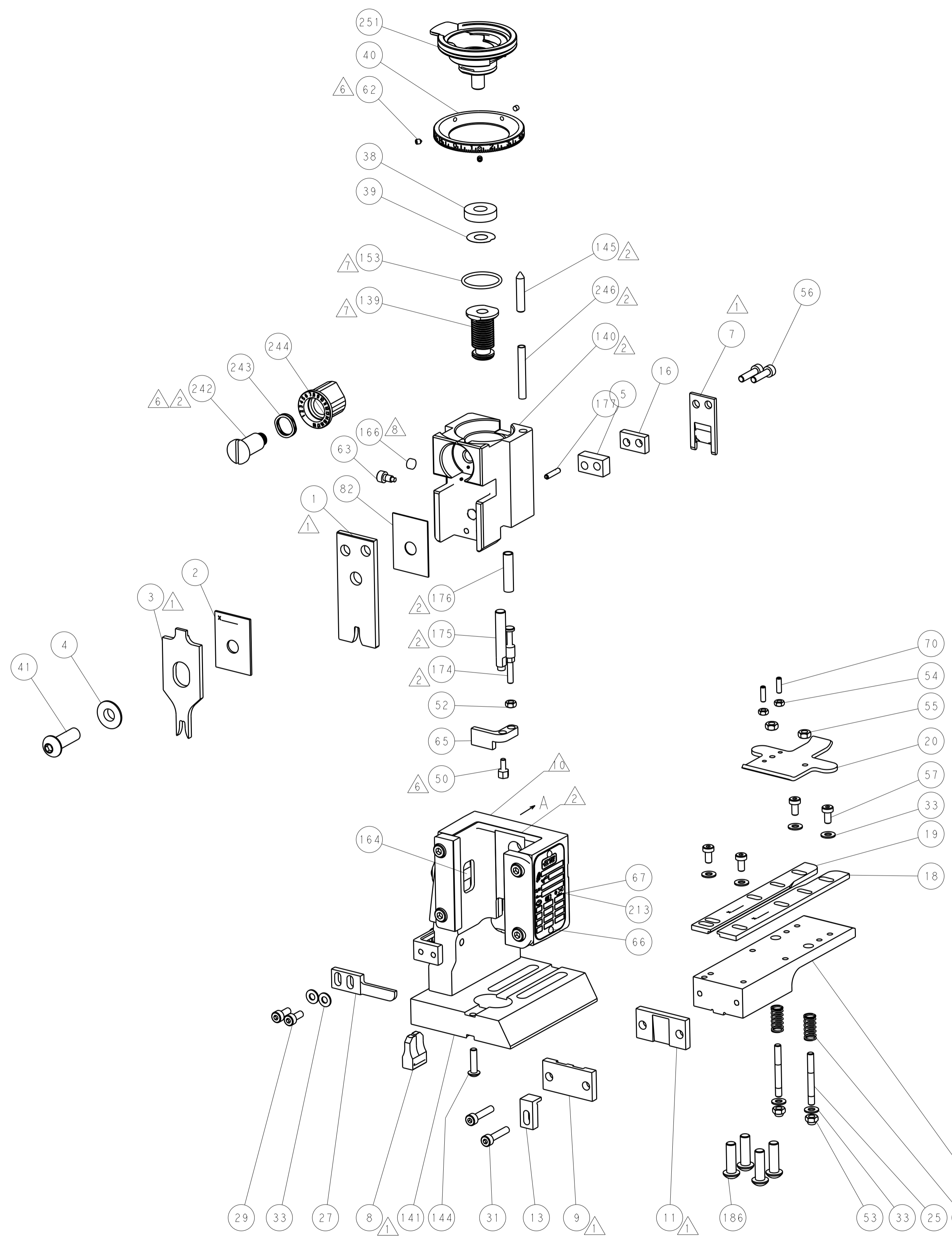
ATLANTIC VERSION
 Shown on sheets 1 of 4 & 2 of 4
 (Pacific version shown on sheets 3 of 4 & 4 of 4)

DIMENSIONS: mm 		TOLERANCES UNLESS OTHERWISE SPECIFIED: 0 PLC ±.5 1 PLC ±0.13 2 PLC ±0.13 3 PLC ±0.013 4 PLC ±0.001 ANGLES ±.1		DWN L.C. CHEN 23DEC2011 CHK S.XI 23DEC2011 APVD J. CRUZ 23DEC2011		TE Connectivity Harrisburg, PA 17105-3608	
MATERIAL:		FINISH:		NAME: Ocean End Feed Applicator		SIZE: A1 CAGE CODE: 00779 DRAWING NO: C=2150020	
Customer Accessible Production Drawing				SCALE: 1:1		SHEET 2 OF 4 REV B	

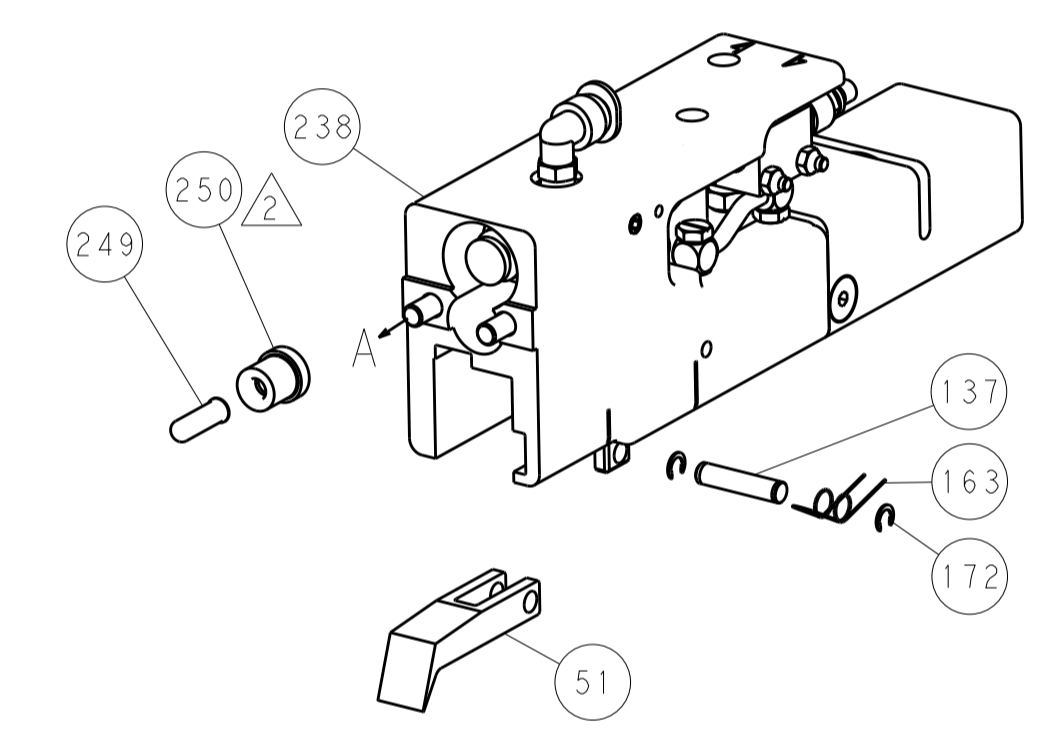
LOC	DIST	REVISIONS					
A	66	P	LTM	DESCRIPTION	DATE	DWN	APVD
		-	-	SEE SHEET 1		-	-



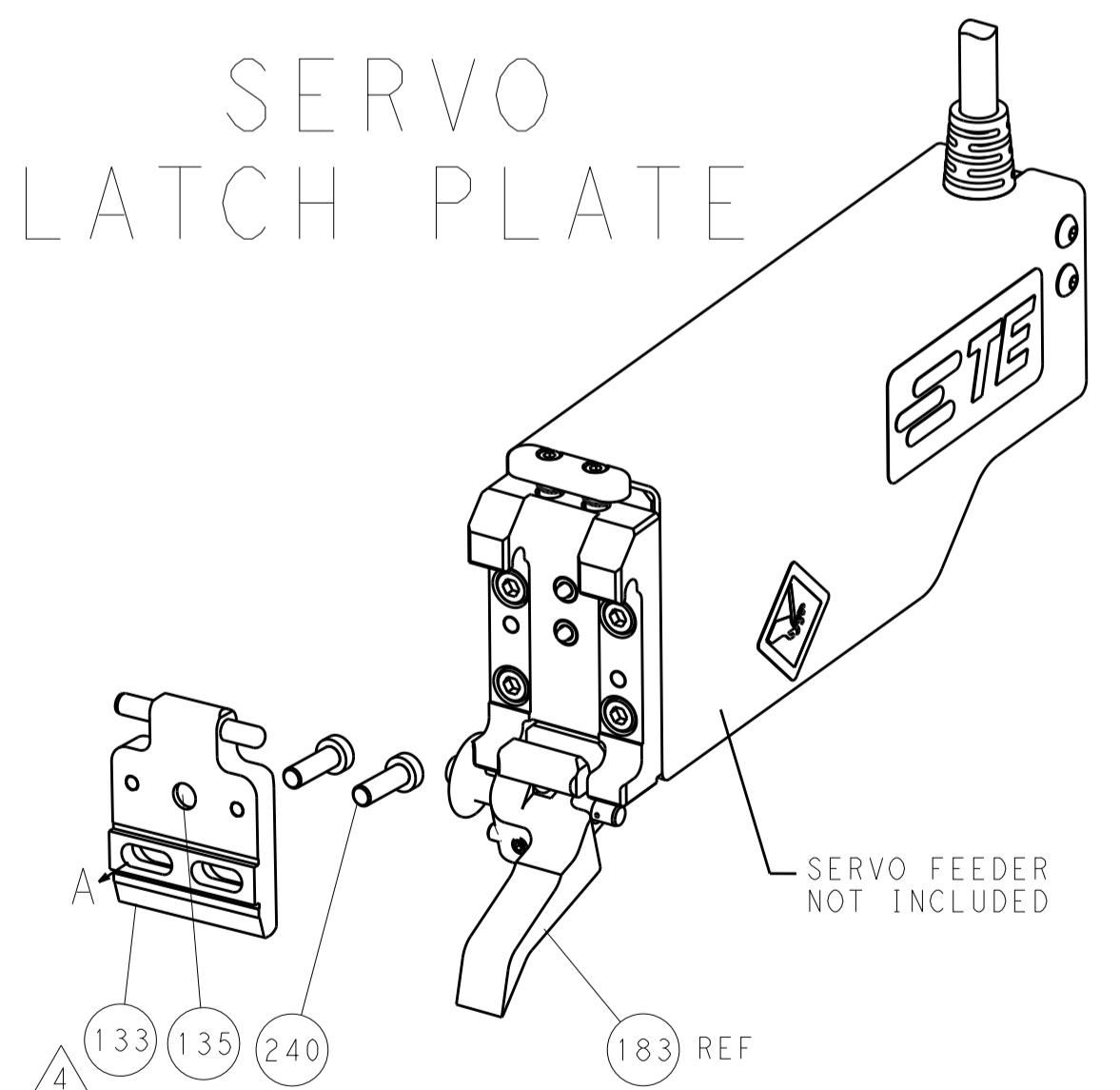
FEED TYPE



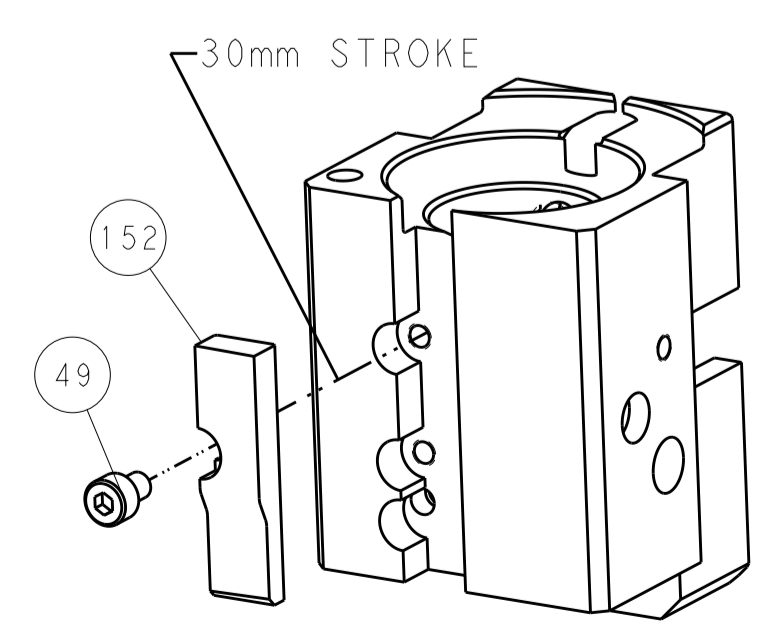
PNEUMATIC



SERVO LATCH PLATE



CAM POSITION



AIR FEED

PACIFIC VERSION
 Shown on sheets 3 of 4 & 4 of 4
 (Atlantic version shown on sheets 1 of 4 & 2 of 4)

<small>THE DRAWING IS CONTROLLED THROUGHOUT THE ENTIRE ORGANIZATION. IT IS SUBJECT TO CHANGE WITHOUT NOTICE AND WITHOUT NOTIFICATION UNLESS OTHERWISE SPECIFIED.</small>		DWN: L.C. CHEN 23DEC2011 CHK: S.XI 23DEC2011 APVD: J. CRUZ 23DEC2011	TE Connectivity Harrisburg, PA 17105-3608
DIMENSIONS: mm 	TOLERANCES UNLESS OTHERWISE SPECIFIED: 0 PLC ±.5 1 PLC ±.5 2 PLC ±.13 3 PLC ±.013 4 PLC ±.0001 ANGLES ±.1	NAME: Ocean End Feed Applicator PRODUCT SPEC: APPLICATION SPEC: WEIGHT:	SIZE: A1 CAGE CODE: 00779 DRAWING NO: C=2150020 SCALE: 1:1 SHEET: 4 of 4 REV: B
MATERIAL:		RESTRICTED TO:	