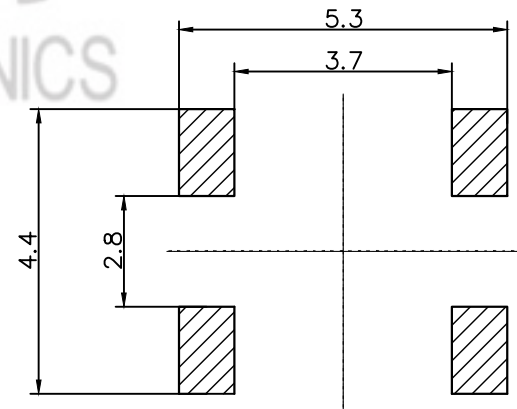





皓宇电子  
HOUYA ELECTRONICS



焊接处尺寸图

					TOLERANCE UNLESS SPECIFIED							
					UP TO 5mm: ±0.1	ANGULAR						
					ABOVE 5mm: ±0.2	±1°						
					NO	DATE	REVISIONS			BY	APPD	
4	TAPE	PI	1		TITLE: TACT SWITCH			UNIT : MM	ROHS	DWN	WM	
3	CONTACT FOOT	PBS	4	Ag-PLATED	MODEL: TS-1196A-E			SCALE: 1:1	COMPLIANT	CHK'D	GYW	
2	CONTACT	SUS	1	Ag-PLATED	 HAOYU(HONGKONG)LIMITED 皓宇(香港)有限公司					APPD	WRB	
1	HOUSING	LCP	1					PRO.AGL:  		REV :A0		
NO.	PART	NAME	MATERIAL	QTY	FINISHING							