

**PLEASE CHECK WWW.MOLEX.COM FOR LATEST PART INFORMATION**

**Part Number:** **0441440003**  
**Status:** **Active**  
**Overview:** [modular\\_plugs\\_jacks](#)  
**Description:** Modular Jack, Right Angle, Low Profile, SMT, 8/8

**Documents:**

[3D Model](#) [Product Specification PS-43743-0001 \(PDF\)](#)  
[Drawing \(PDF\)](#) [RoHS Certificate of Compliance \(PDF\)](#)

**Agency Certification**

CSA LR19980  
 UL E107635

**General**

Product Family Modular Jacks/Plugs  
 Series [44144](#)  
 Comments Flush Solder Tabs  
 Component Type PCB Jack  
 Magnetic No  
 Overview [modular\\_plugs\\_jacks](#)  
 Performance Category 3  
 Power over Ethernet (PoE) N/A  
 Product Name RJ45

**Physical**

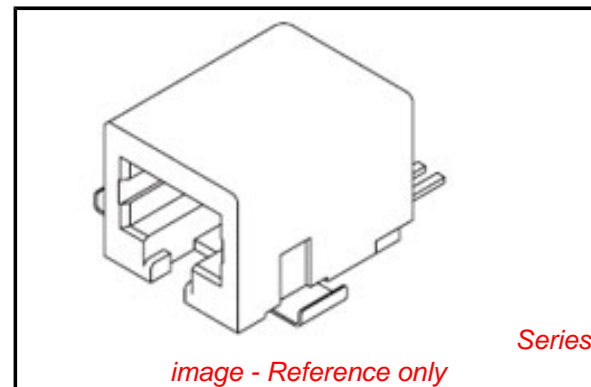
Color - Resin Black  
 Durability (mating cycles max) 500  
 Flammability 94V-0  
 Inverted / Top Latch No  
 Lightpipes/LEDs None  
 Material - Metal Phosphor Bronze  
 Material - Plating Mating Gold  
 Material - Plating Termination Tin  
 Material - Resin High Temperature Thermoplastic  
 Orientation Right Angle (Side Entry)  
 PCB Retention Yes  
 Packaging Type Embossed Tape on Reel  
 Pitch - Mating Interface (in) 0.050 In  
 Pitch - Mating Interface (mm) 1.27 mm  
 Plating min: Mating (µin) 50  
 Plating min: Mating (µm) 1.25  
 Plating min: Termination (µin) 100  
 Plating min: Termination (µm) 2.5  
 Ports 1  
 Positions / Loaded Contacts 8/8  
 Surface Mount Compatible (SMC) N/A  
 Temperature Range - Operating -40°C to +80°C  
 Termination Interface: Style Surface Mount  
 Wire/Cable Type N/A

**Electrical**

Current - Maximum per Contact 1.5A  
 Shielded No  
 Voltage - Maximum 125V

**Solder Process Data**

Duration at Max. Process Temperature (seconds) 30



**EU RoHS**

**ELV and RoHS  
 Compliant**  
**REACH SVHC  
 Contains SVHC: No**  
**Halogen-Free  
 Status**

**China RoHS**



**Need more information on product  
 environmental compliance?**

Email [productcompliance@molex.com](mailto:productcompliance@molex.com)  
 For a multiple part number RoHS Certificate of  
 Compliance, [click here](#)

Please visit the [Contact Us](#) section for any  
 non-product compliance questions.

**Search Parts in this Series**

[44144Series](#)

**Mates With**

FCC 68 Plugs

Lead-free Process Capability  
Max. Cycles at Max. Process Temperature  
Process Temperature max. C

Reflow Capable (SMT only)  
1  
235

### **Material Info**

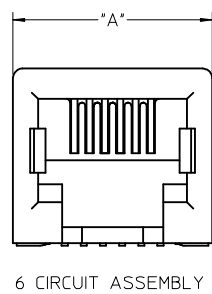
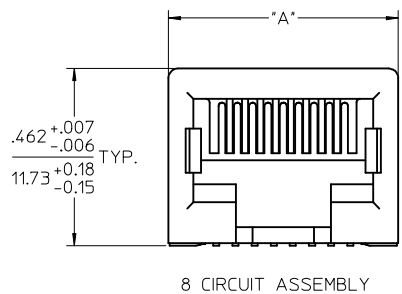
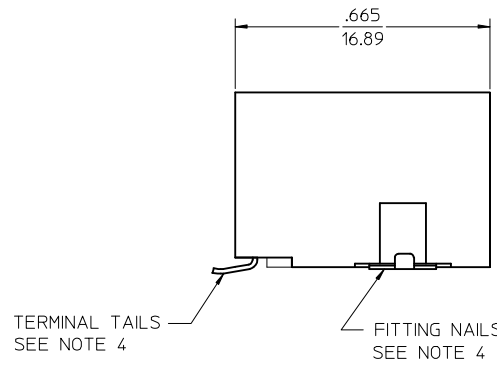
### **Reference - Drawing Numbers**

Packaging Specification  
Product Specification  
Sales Drawing

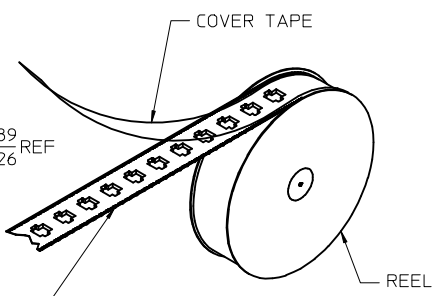
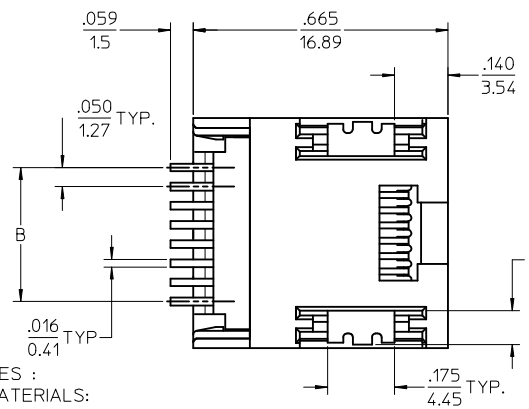
PK-70873-700\*  
PS-43743-0001  
SD-44144-001

This document was generated on 06/07/2010

**PLEASE CHECK [WWW.MOLEX.COM](http://WWW.MOLEX.COM) FOR LATEST PART INFORMATION**



HOUSING SIZE	CIRCUIT SIZE	DIM. A	DIM. B
6	6	.520 (13.21)	.250 (6.35)
6	4	.520 (13.21)	.150 (3.81)
6	2	.520 (13.21)	.050 (1.27)
8	8	.600 (15.24)	.350 (8.89)
8	6	.600 (15.24)	.250 (6.35)



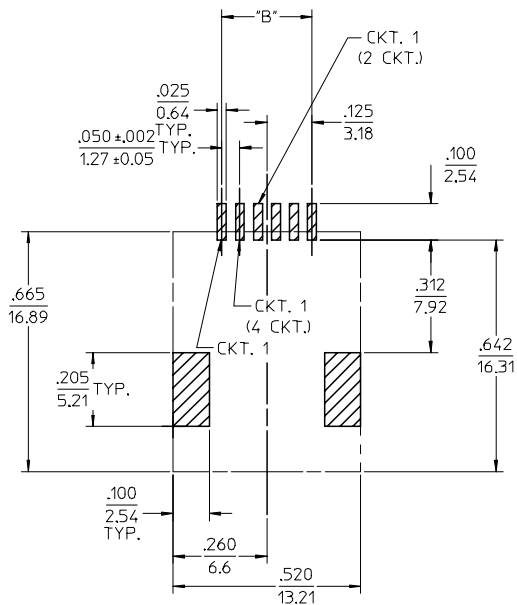
TAPE AND REEL PACKAGING

ASSEMBLY ITEM NO.	CONNECTOR SIZE	CIRCUIT SIZE	TERMINAL PLATING	TAPE & REEL PACKAGING No.	VOIDED CIRCUITS	HOUSING COLOR
44144-0001	8	4	A	PK-70873-7002	NA	BLACK
44144-0002	8	6	A	PK-70873-7002		
44144-0003	8	8	A	PK-70873-7002		
44144-0004	6	4	A	PK-70873-7001		
44144-0005	6	6	A	PK-70873-7001		
44144-0006	8	4	B	PK-70873-7002		
44144-0007	8	6	B	PK-70873-7002		
44144-0008	8	8	B	PK-70873-7002		
44144-0009	6	4	B	PK-70873-7001		
44144-0010	6	6	B	PK-70873-7001		
44144-0011	8	4	C	PK-70873-7002		
44144-0012	8	6	C	PK-70873-7002		
44144-0013	8	8	C	PK-70873-7002		
44144-0014	6	4	C	PK-70873-7001		
44144-0015	6	6	C	PK-70873-7001	NA	
44144-0016	8	4	C	PK-70873-7001	2,3,6,7	
44144-0017	6	2	A	PK-70873-7001	NA	
44144-0018	6	2	B	PK-70873-7001		
44144-0019	6	2	C	PK-70873-7001		
44144-0023	8	2	A	PK-70873-7002	NA	

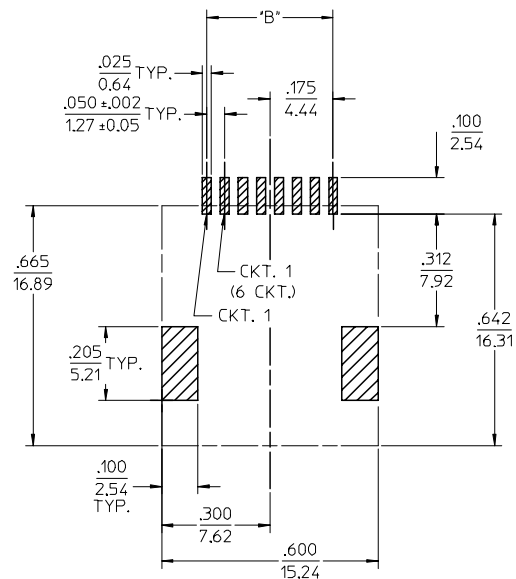
- NOTES :
- MATERIALS:
    - HOUSING: NYLON, GLASS-FILLED, UL94V-0; COLOR - SEE CHART
    - TERMINALS: PHOSPHOR BRONZE, .012/(0.30) THICK
    - FITTING NAILS: BRASS ALLOY, .010/(0.25) THICK
  - FINISH:
    - TERMINALS:
      - (A) SELECT GOLD IN CONTACT AREA: .000050/(0.00127) MIN., \*SELECT MATTE TIN IN PC TAIL AREA: .000100/(0.00254) MIN., WITH OVERALL NICKEL UNDERPLATE: .000050/(0.00127) MIN.
      - (B) SELECT GOLD IN CONTACT AREA: .000030/(0.00076) MIN., \*SELECT MATTE TIN IN PC TAIL AREA: .000100/(0.00254) MIN., WITH OVERALL NICKEL UNDERPLATE: .000050/(0.00127) MIN.
      - (C) SELECT GOLD IN CONTACT AREA: .000015/(0.00038) MIN., \*SELECT MATTE TIN IN PC TAIL AREA: .000100/(0.00254) MIN., WITH OVERALL NICKEL UNDERPLATE: .000050/(0.00127) MIN.
    - FITTING NAILS:
      - \*100 MICRONS MATTE TIN OVER 50 MICRONS NICKEL UNDERPLATE
      - \*THE PRIMARY SHIPPING CARTON WILL BE LABELED "ELV AND RoHS COMPLIANT" CARTONS WITHOUT THIS LABEL MAY CONTAIN PRODUCT WITH TIN-LEAD IN THE PC TAIL AND/OR FITTING NAILS.
  - PRODUCT SPECIFICATION: PS-43743-001
  - COPLANARITY SPECIFICATION:
    - WITH THE MODULAR JACK SITTING ON A LEVEL SURFACE, THE MAXIMUM GAP BETWEEN THE LEVEL SURFACE AND ALL TERMINAL TAILS AND BOTH FITTING NAILS IS .006/(0.15).
  - FOR ASSEMBLIES HAVING VOIDED CIRCUITS, THE TAIL PORTION IS CUT AND REMOVED. THE MATING PORTION OF THE TERMINAL REMAINS INTACT.
  - CONVECTION SOLDERING TECHNOLOGY SHOULD BE USED WHEN GANGING MODULAR JACKS WITH INBOARD NAILS SIDE-BY-SIDE.
  - THIS PART CONFORMS TO CLASS B REQUIREMENTS OF COSMETIC SPECIFICATION PS-45499-002.

REVISED NOTES EC NO: UCP2009-1244 DRWN:JKLOSTHEIER 2008/12/10 CHKD:JBELL 2008/12/10 APPR:FSMITH 2008/12/10	DESCRIPTION	QUALITY SYMBOLS ▽=0 ▽=0
--	-------------	-------------------------------

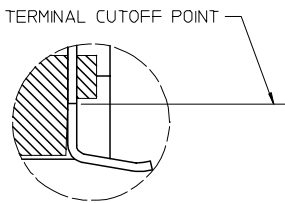
GENERAL TOLERANCES (UNLESS SPECIFIED)	DIMENSION STYLE IN/MM	SCALE 4:1	DESIGN UNITS INCH	THIRD ANGLE PROJECTION
4 PLACES ± --- ± --- 3 PLACES ± --- ± .010 2 PLACES ± 0.25 ± .015 1 PLACE ± 0.38 ± --- ANGULAR ±1/2°	DRAWN BY MUELLER DATE 98/03/13	TITLE 4, 6, 8 CIRCUIT SMT MODULAR JACK W/ FLUSH FITTING NAILS		
DRAFT WHERE APPLICABLE MUST REMAIN WITHIN DIMENSIONS	CHECKED BY ROBERTS DATE 98/03/16	MOLEX MOLEX INCORPORATED		
SEE CHART	APPROVED BY R EDGLEY DATE 98/03/17	DOCUMENT NO. SD-44144-001		SHEET NO. 1 OF 2
THIS DRAWING CONTAINS INFORMATION THAT IS PROPRIETARY TO MOLEX INCORPORATED AND SHOULD NOT BE USED WITHOUT WRITTEN PERMISSION				



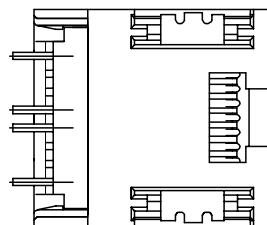
PCB LAYOUT FOR CONNECTOR SIZE 6  
(COMPONENT SIDE OF BOARD)



PCB LAYOUT FOR CONNECTOR SIZE 8  
(COMPONENT SIDE OF BOARD)



VIEW SHOWING TYPICAL TERMINAL  
CUTOFF OF TAIL (SEE NOTE 5) FOR VOIDED CIRCUITS.



TYPICAL VIEW SHOWING VOIDED CIRCUIT  
44144-0016 SHOWN

SEE SHEET ONE EC NO: UCP2004-0798 DRW:LSCHMIDT 2004/01/05 CHKD:LSCHMIDT 2004/01/05 APPR:FSMITH 2004/01/08	QUALITY SYMBOLS ▽ = 0 ▽ = 0	GENERAL TOLERANCES (UNLESS SPECIFIED) mm      INCH 4 PLACES ± .005      ± .005 3 PLACES ± .010      ± .010 2 PLACES ± 0.25      ± .015 1 PLACE ± 0.38      ± .015 ANGULAR ± 1/2°	SCALE 4:1 DESIGN UNITS INCH DIMENSION STYLE IN/MM DRAWN BY DSTAMBAU      DATE 00/04/07 CHECKED BY BWIRKUS      DATE 00/04/07 APPROVED BY R EDGLEY      DATE 00/04/07	THIRD ANGLE PROJECTION REVISE ON CAD ONLY	TITLE 4, 6, 8 CIRCUIT SMT MODULAR JACK W/ FLUSH FITTING NAILS	
		DRAFT WHERE APPLICABLE MUST REMAIN WITHIN DIMENSIONS	MATERIAL NO. SEE CHART DOCUMENT NO. SD-44144-001 SHEET NO. 2 OF 2	MOLEX INCORPORATED	THIS DRAWING CONTAINS INFORMATION THAT IS PROPRIETARY TO MOLEX INCORPORATED AND SHOULD NOT BE USED WITHOUT WRITTEN PERMISSION	