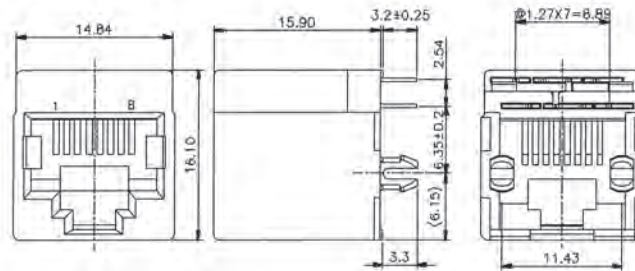
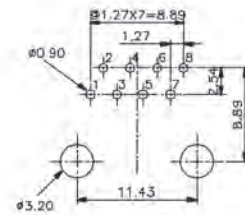


RJ45 Connector

ORDERING INFORMATION: RJA88-V1100-GUH



PCB Layout



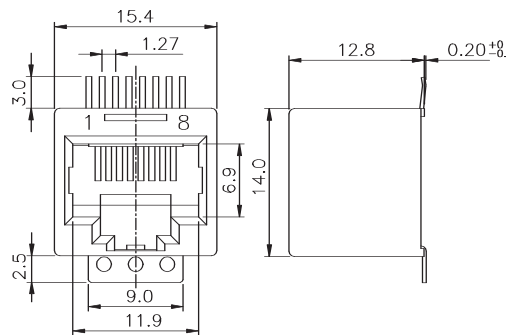
MATERIAL and FINISH

Insulator: Glass filled polyester UL94V-0
Contact: Phosphor bronze
Plating: Gold plating over nickel
Operating Life: 750 cycles min
PCB retention pre-solder: 1 LB min
PCB retention post-solder: 10 LBS min

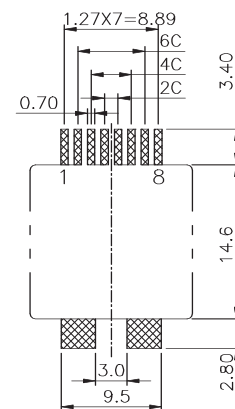
SPECIFICATIONS

Current rating: 1.5A
Voltage rating: 125 VAC RMS
Dielectric strength: 1000 VAC RMS 60 Hz, 1 min
Insulation resistance: 1000M Ω min 500VDC
Contact resistance: 30m Ω max

ORDERING INFORMATION: RJA88-V2100-GUH



PCB Layout



MATERIAL and FINISH

Insulator: PBT UL94V-0
Contact: Phosphor bronze
Plating: Contact area 6μ gold,
Tail 150μ TIN-LEAD
Operating Life: 750 cycles min

SPECIFICATIONS

RJ45
Dielectric strength: 1000 VAC RMS 60 Hz, 1 min
Insulation resistance: 1M Ω min 500VDC
Contact resistance: 30m Ω max

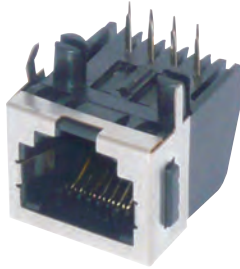
Unit: mm

Cable assemblies available according to your specifications

Advanced Connectors and Cable Assemblies

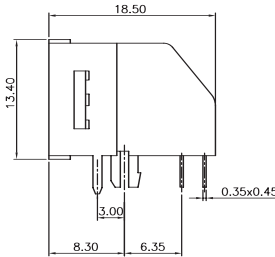
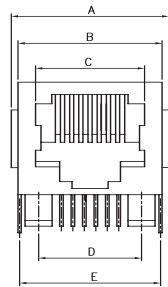
RJ45 Connector

ORDERING INFORMATION: RJA 8 8 - H1100-GFH-2

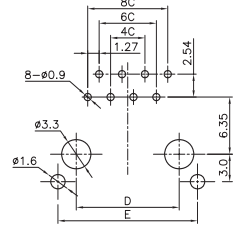


Position Number
6 or 8

Contact Number
2-4-6-8



POSITION	CONTACT	A	B	C	D	E
6P	2C/4C/6C	15.75	13.90	9.90	10.16	13.70
8P	8C	17.75	16.00	11.93	11.43	15.65



PCB Layout

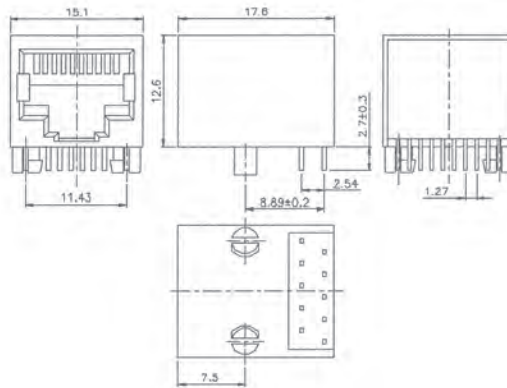
MATERIAL and FINISH

Insulator: High temperature material - UL94VO
Contact: Copper alloy
Plating: Selective gold plated over nickel

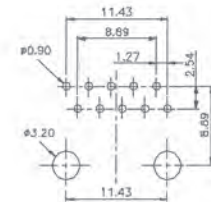
SPECIFICATIONS

Current rating: 1.0A per contact
Voltage rating: 250 VAC/DC
Dielectric withstanding voltage: 1000 VAC
Insulation resistance: 1000M Ω min
Contact resistance: 30 m Ω max
Temperature range: -25°C to +125°C

ORDERING INFORMATION: RJA88-H1100-GUH1



PCB Layout



MATERIAL and FINISH

Insulator: Glass filled polyester UL94V-0
Contact: Phosphor bronze
Plating: Contact area- Selective gold, Tail 150µ TIN-LEAD min over 50µ Nickel

SPECIFICATIONS

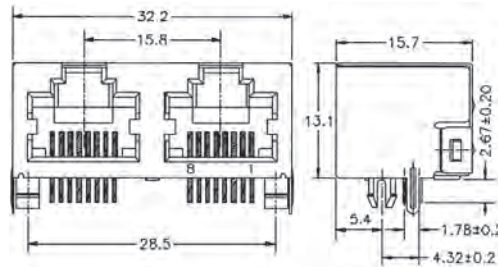
Current rating: 1.5A
Voltage rating: 125 VAC RMS
Dielectric strength: 1000 VAC RMS 60 Hz, 1 min
Insulation resistance: 1000M Ω min 500VDC
Contact resistance: 35m Ω max

Unit: mm

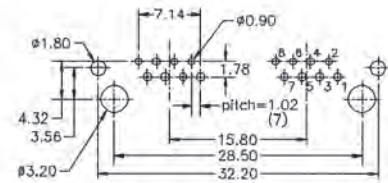
Cable assemblies available according to your specifications

Advanced Connectors and Cable Assemblies

ORDERING INFORMATION: RJA88-H1210-GSH



PCB Layout



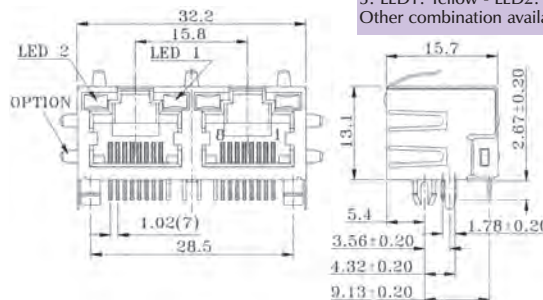
MATERIAL and FINISH

Insulator: PBT+30%.G.F.UL94V-0.color-Black
Contact: Phosphor bronze
Plating: Gold plating over nickel
Operating Life: 750 cycles min

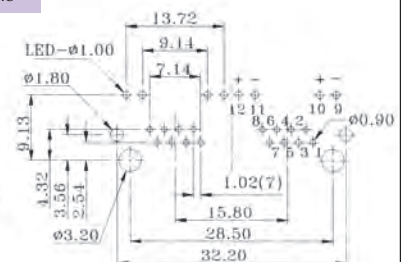
SPECIFICATIONS

Current rating: 1.5A
Voltage rating: 125 VAC RMS
Dielectric strength: 1000 VAC RMS 60 Hz, 1 min
Insulation resistance: 1000M Ω min 500VDC
Contact resistance: 35m Ω max

ORDERING INFORMATION: RJA88-H121 1-GSH



PCB Layout



MATERIAL and FINISH

Insulator: PBT+30%.G.F.UL94V-0.color-Black
Contact: Phosphor bronze
Plating: Gold Over Nickel
Operating Life: 750 cycles min
Led size: 3.2*2.0*7.0*P=2.29mm

SPECIFICATIONS

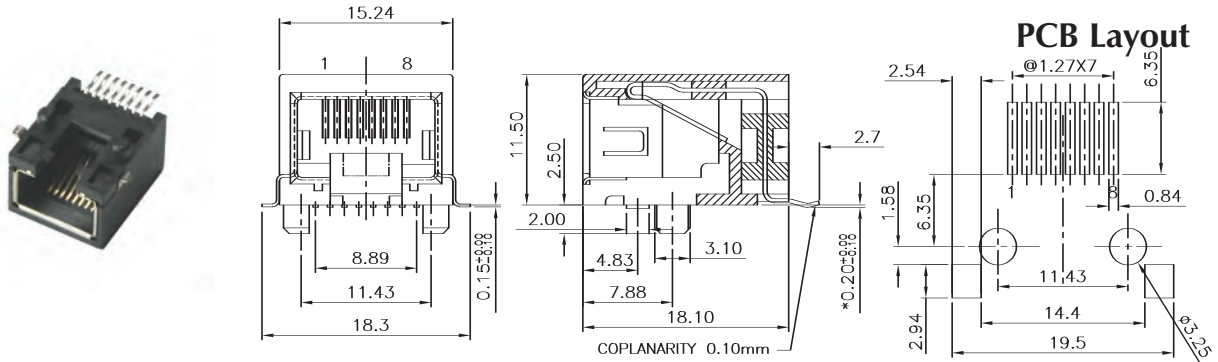
Current rating: 1.5A
Voltage rating: 125 VAC RMS
Dielectric strength: 1000 VAC RMS 60 Hz, 1 min
Insulation resistance: 1000M Ω min 500VDC
Contact resistance: 35m Ω max

Unit: mm

Cable assemblies available according to your specifications

Advanced Connectors and Cable Assemblies

ORDERING INFORMATION: RJA88-H2100-GSH



MATERIAL and FINISH

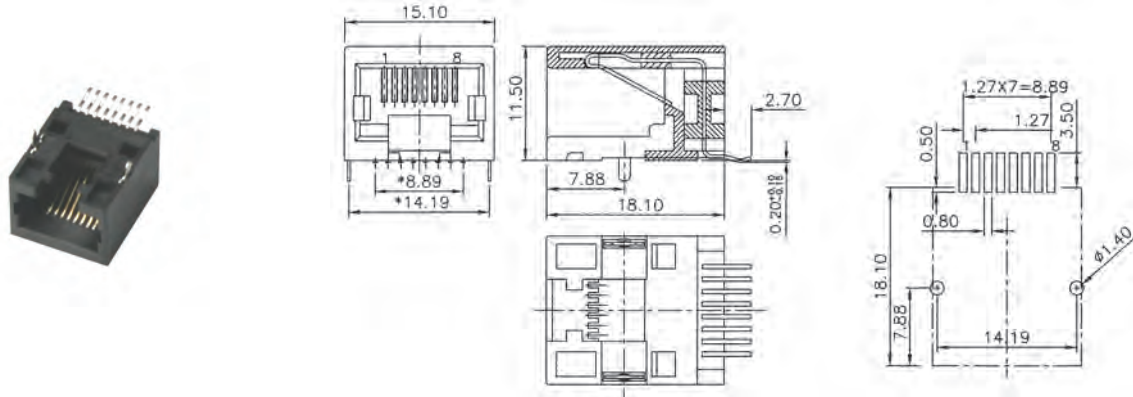
Insulator: FR52
Contact: Phosphor bronze
Plating: 1: Contact AREA- Selective Gold
 2: Tails- 150u" TIN-LEAD Min Over 50u" Nickel

SPECIFICATIONS

Current rating: 1.5A
Voltage rating: 125 VAC RMS
Dielectric strength: 1000 VAC RMS 60 Hz, 1 min
Insulation resistance: 1000M Ω min 500VDC
Contact resistance: 35m Ω max

ORDERING INFORMATION: RJA88-H2100-GUH

PCB Layout



MATERIAL and FINISH

Insulator: FR52
Contact: Phosphor bronze
Plating: Gold Over Nickel
Operating Life: 750 cycles min
PCB retention pre-solder: 10 LBS min

SPECIFICATIONS

Current rating: 1.5A
Voltage rating: 125 VAC RMS
Dielectric strength: 1000 VAC RMS 60 Hz, 1 min
Insulation resistance: 1000M Ω min 500VDC
Contact resistance: 35m Ω max

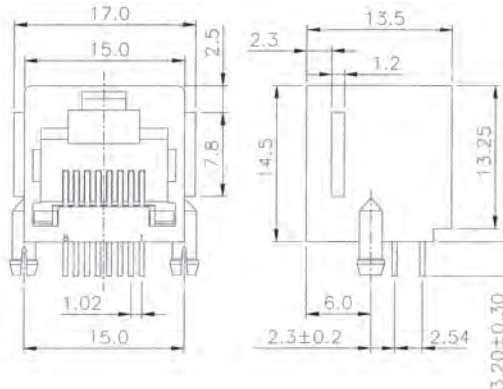
Unit: mm

Cable assemblies available according to your specifications

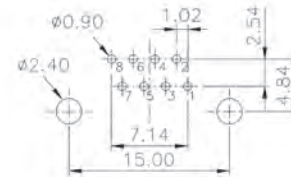
Advanced Connectors and Cable Assemblies

RJ45 Connector

ORDERING INFORMATION: RJA88-H1100-GUH



PCB Layout



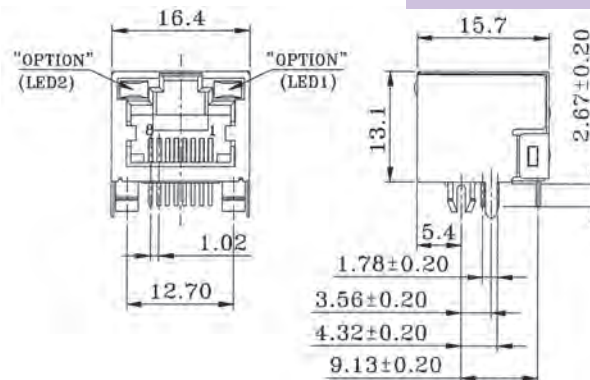
MATERIAL and FINISH

Insulator: Glass filled polyester UL94V-0
Contact: Phosphor bronze
Plating: Gold plating over nickel
Operating Life: 750 cycles min
PCB retention pre-solder: 1 LB min
PCB retention post-solder: 10 LBS min

SPECIFICATIONS

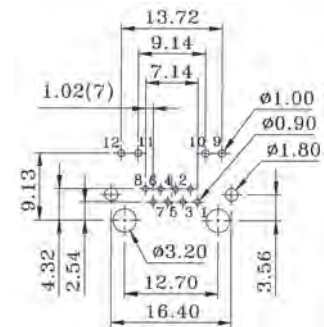
Current rating: 1.5A
Voltage rating: 125 VAC RMS
Dielectric strength: 1000 VAC RMS 60 Hz, 1 min
Insulation resistance: 500M Ω min 500VDC
Contact resistance: 30m Ω max

ORDERING INFORMATION: RJA88-H110 A GSH



LED1: Green - LED2: Yellow
 ASK for other colors option

PCB Layout



MATERIAL and FINISH

Insulator: PBT UL94V-0
Contact: Phosphor bronze
Plating: Contact area 6μ gold,
 Tail 150μ TIN-LEAD
Operating Life: 750 cycles min

SPECIFICATIONS

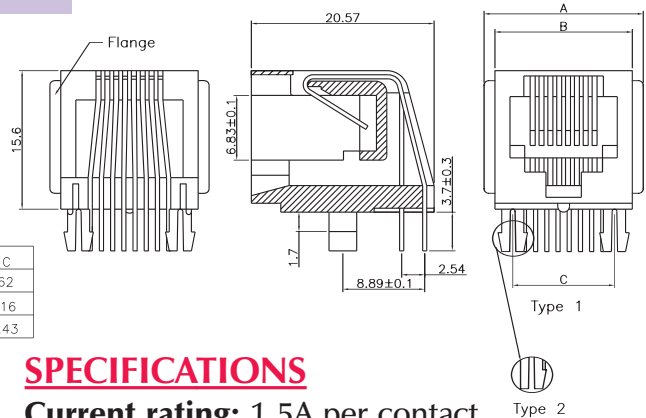
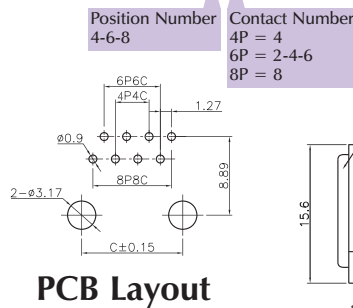
RJ45
Current rating: 1.5 A
Voltage rating: 125 VAC RMS
Dielectric strength: 1000 VAC RMS 60 Hz, 1 min
Insulation resistance: 1M Ω min 500VDC
Contact resistance: 30m Ω max

Cable assemblies available according to your specifications

Advanced Connectors and Cable Assemblies

RJ 45 Connector

ORDERING INFORMATION: RJA 44 - H1100-GUH-3F



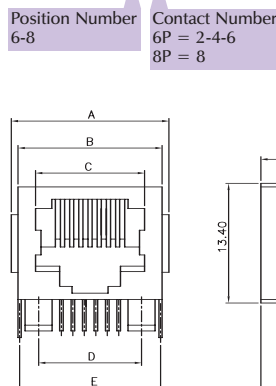
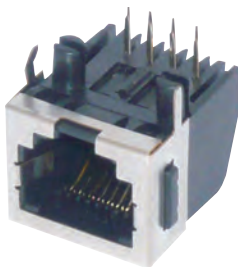
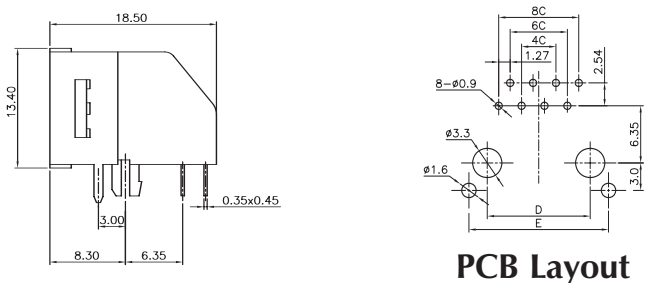
MATERIAL and FINISH

Insulator: High temperature material - UL94VO
Contact: Copper alloy
Plating: Selective gold plated over nickel

SPECIFICATIONS

Current rating: 1.5A per contact
Voltage rating: 125 VAC/DC
Dielectric withstanding voltage: 1000 VAC
Insulation resistance: 500M Ω min
Contact resistance: 20m Ω max
Temperature range: -40°C to +85°C

ORDERING INFORMATION: RJA 62 - H1100-GFH-4

MATERIAL and FINISH

Insulator: High temperature material - UL94VO
Contact: Copper alloy
Plating: Selective gold plated over nickel

SPECIFICATIONS

Current rating: 2.0A per contact
Voltage rating: 250 VAC/DC
Dielectric withstanding voltage: 1000 VAC
Insulation resistance: 1000M Ω min
Contact resistance: 30 m Ω max
Temperature range: -25°C to +125°C

Unit: mm