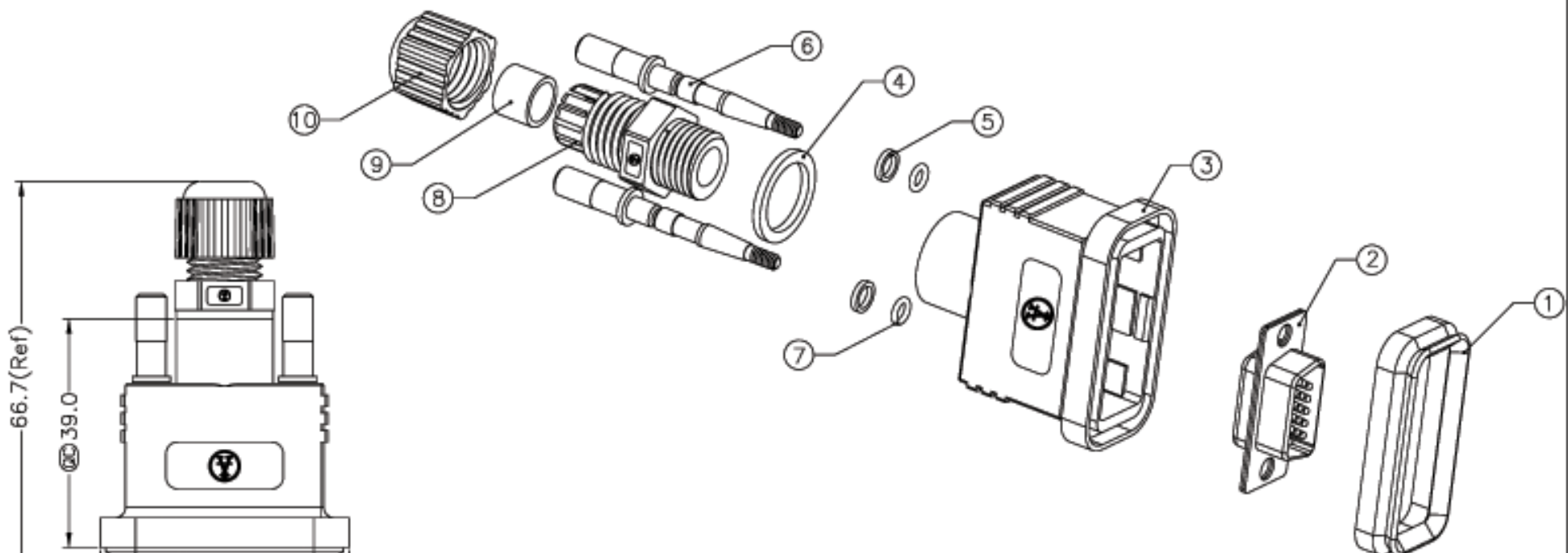


| REV. | CON. NO. | DATE | BY | DESCRIPTION |
|------|----------|------|----|-------------|
|      |          |      |    |             |
|      |          |      |    |             |



- Note:
- \* Ⓞ Important Dimension.  
(Ⓞ為重點尺寸)
  - \* Waterproof Rate : IP67
  - \* Housing:Black,ABS
  - \* Pin:Copper Alloy,Gold Plated
  - \* Seals for Cable OD:φ3.5mm~φ7.0mm  
Cable適用OD:φ3.5mm~φ7.0mm
  - \* One Set Unassembled in One Zipper Bag(#3)  
每一組裝一夾鏈袋(#3)
  - \* 注意LOGO為Ⓞ

|   |               |   |
|---|---------------|---|
| UNIT:mm   |               | TITLE<br>D-SUB Conn.<br>Assy Screw HD15P M Conn M Pin |
| TOLERANCE<br>.X ±0.25<br>.XX ±0.1<br>.XXX ±0.05<br>ANGLES ±1° | SCALE<br>Free | SHEET<br>1 OF 1                                       |
| REV. 01   | SIZE<br>A4    | Ⓞ : Inspection Item                                   |



|                               |                          |                    |
|-------------------------------|--------------------------|--------------------|
| ITEM NO<br>A-HDS-15-HOOD-WP-R | DRAWN BY<br>Gao Ling     | DATE<br>2006/05/11 |
| DWG NO<br>A-HDS-15-HOOD-WP-R  | CHECKED BY<br>Robert Hsu | DATE<br>2006/05/30 |
|                               | APPROVED BY<br>Max       | DATE<br>2006/06/02 |