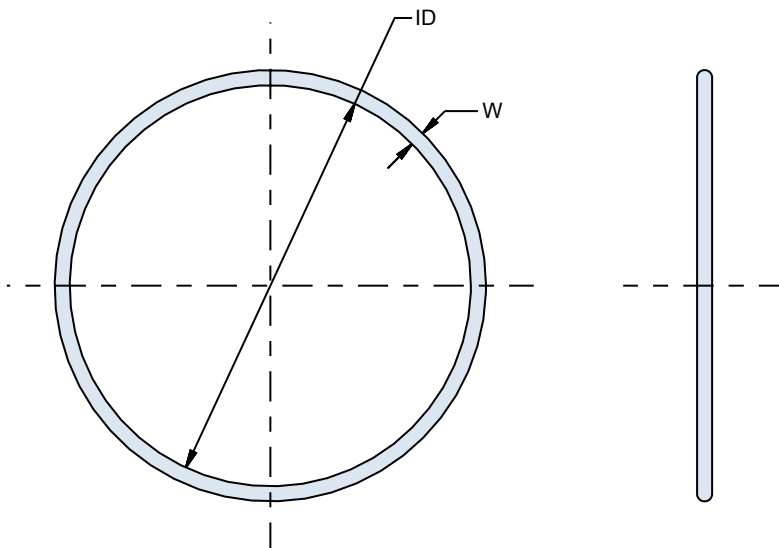
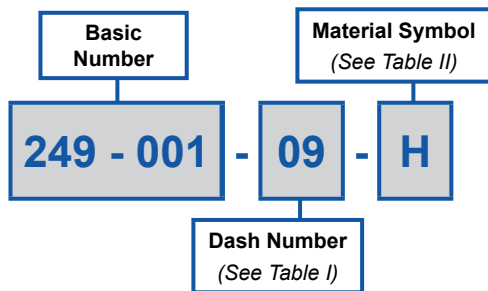




249-001 Conductive O-Ring for Jam Nut Receptacle Connectors



H

249-001
Conductive O-Ring for
Jam Nut Receptacle Connectors



TABLE I

Dash Number	O-Ring ID x W
-09	.801 x .070
-11	.989 x .070
-13	1.114 x .070
-15	1.239 x .070
-17	1.364 x .070
-19	1.487 x .103
-21	1.612 x .103
-23	1.737 x .103
-25	1.862 x .103

TABLE II

Designator	Material
B	Silver Plated Aluminum in Silicone (CHO-Seal 1285)
C	Silver Plated Aluminum in Fluorosilicone (CHO-Seal in 1298 or Equivalent)
H	Silver Plated Copper in Silicone (CHO-Seal 1215 or Equivalent)