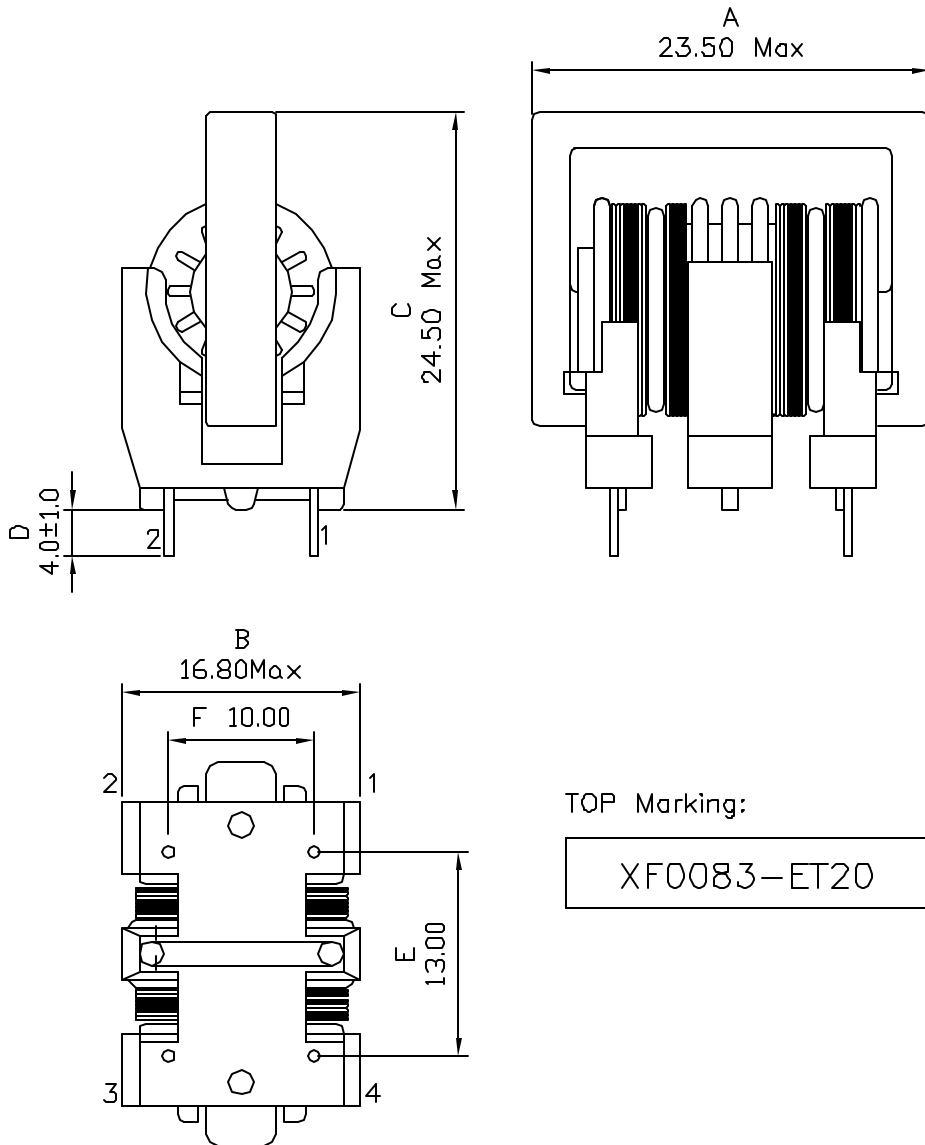


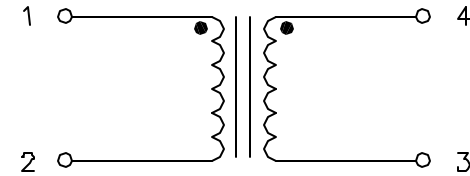
### 1. Mechanical Dimensions:



TOP Marking:

XF0083-ET20

### 2. Schematic:



### 3. Electrical Specifications:

OCL: 6.8mH-30/+50% @10KHz 0.1V, Each Wdg

DCR: 0.280 Ohms Typ, Each Wdg

IDC: 1.3Arms Max

Rated Voltage: 250Vac/dc

Isolation Voltage: 1500Vac Wdg to Wdg

**Notes:**

1. Solderability: Leads shall meet MIL-STD-202G, Method 208H for solderability.
2. Flammability: UL94V-0
3. ASTM oxygen index: > 28%
4. Insulation System: Class F 155°C, UL file E151558
5. Operating Temperature Range: All listed parameters are to be within tolerance from -40°C to +85°C
6. Storage Temperature Range: -55°C to +125°C
7. Aqueous wash compatible
8. Electrical and mechanical specifications 100% tested
9. RoHS Compliant Component

DOC REV: A/1

**PROPRIETARY**

Document is the property of XFMRs Group & is not allowed to be duplicated without authorization.

<b>XFMRs Inc</b> www.XFMRs.com	Title: LINE FILTER		
	UNLESS OTHERWISE SPECIFIED TOLERANCES: .xx ±0.30 Dimensions in mm	P/N: XF0083-ET20	REV. A
SHEET 1 OF 1	DWN.	Juan Mao	Feb-09-07
	CHK.	YK Liao	Feb-09-07
	APP.	BW	Feb-09-07