

Specifications

Insulation Resistance: 1,000MΩ min. at 500V DC
 Withstanding Voltage: 500V AC rms for 1 minute
 Contact Resistance: 15mΩ max. at 10mA
 Current Rating: 1A
 Operating Temp. Range: -20°C to +85°C
 Soldering Temperature: 260°C / 5 sec.

Materials and Finish

Housing: PBT (glass filled), UL 94V-0 rated
 Contacts: Phosphor Bronze
 Plating: Au over Ni



Features

⇒ Contact pitch 1.27mm connectors for high-density mounting

Part Number (Details)

NFS - 40A - 1314 BF

Series (socket)

No. of Leads

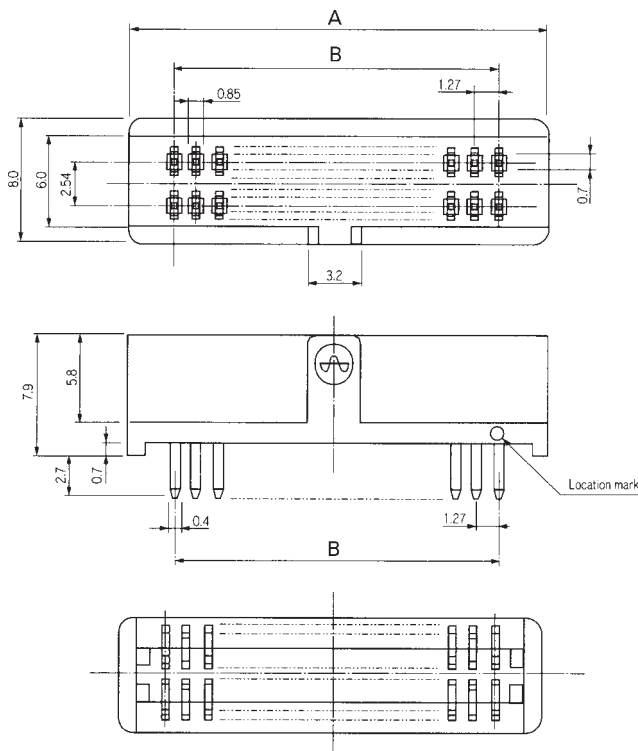
Terminal Type:
4 = Straight Solder Dip

Type of Plating:

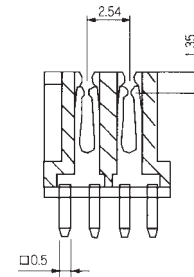
	Base	Mating Face	Solder Terminals
BF	Ni 2.5-4.5μm	Au 0.3μm min.	Au 0.05μm min.



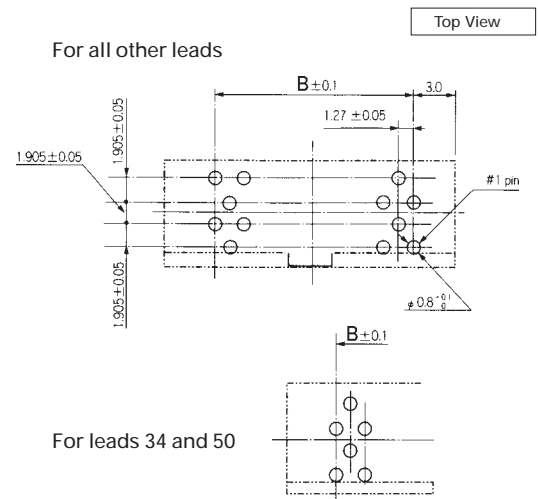
Outline Dimensions



Contact Details



Recommended PCB Layout



Standard type

Part No.	No. of Leads	A	B
NFS-40A-1314BF	40	30.13	24.12

For the following versions below please contact Yamaichi, minimum order quantity may be required

NFS-34A-1314BF	34	26.32	20.32
NFS-50A-1314BF	50	36.48	30.48
NFS-60A-1314BF	60	42.83	36.83
NFS-64A-1314BF	64	45.37	39.37
NFS-80A-1314BF	80	55.53	49.53