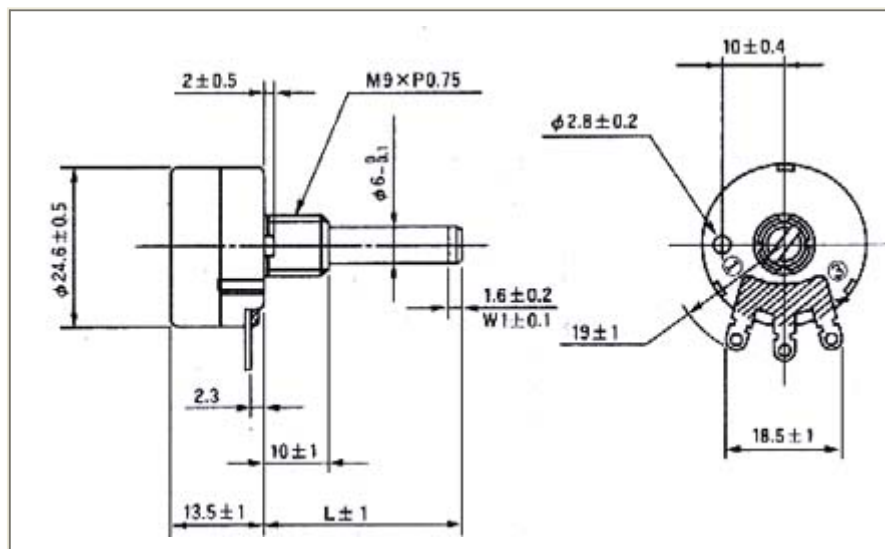


# RV24YN Datasheet

1. Picture:



2. Dimension:



3. Specification:

Resistance Range:  $50\Omega \sim 2M\Omega$

Resistance Tolerance:  $\pm 10\%$ ,

Electrical Adjustment Travel:  $280^\circ \pm 10^\circ$

Mechanical Travel:  $300^\circ \pm 5^\circ$

Rated Voltage: 315VDC

Rated Power: 0.25W

Torque: 51~306 gf.cm

Machine endurance: 15000 Cycles