




PRODUCT NUMBER
20020516-MXX1B01LF

20020516 -    1 B 0 1 L F

PITCH
M: 7.62 mm

POLES
02: 2 POLES
03: 3 POLES
04: 4 POLES
16: 16 POLES

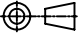

LF: DENOTED RoHS COMPATIBLE

PROPERTY TABLE	
FCI SERIES NAME	04-762
PITCH (mm)	7.62
VOLTAGE RATING (VAC)	300
CURRENT RATING (A)	32
APPLICABLE WIRE RANGE(AWG)	10~24
WIRE CROSS SECTION(mm*mm)	6.0~0.2
WIRE STRIP LENGTH(mm)	10~11
TORQUE +/-10% (N-m/Lb-in)	0.79/7.0
SCREW	M3.5x0.5
WITHSTANDING VOLTAGE (kV)	1.6
OPERATING TEMP. (°C)	-40~+115
POLES AVAILABLE	02~16
SAFETY CERTIFICATE	

NOTES:

- MATERIALS
 - 1-1 HOUSING: THERMALPLASTIC RESIN, UL 94V-0 RATED, COLOR GREEN.
 - 1-2 SCREW: STEEL, ZINC PLATED.
 - 1-3 CLAMP: BRASS, NICKEL PLATED.
 - 1-4 TERMINAL: COPPER, TIN PLATED.
 - 1-5 WIRE GUARD: STAINLESS STEEL.
- PRODUCT SPECIFICATION REFER TO FCI GS-12-625.
- BOXED PACKAGING, DETAILED PRODUCT PACKING SPECIFICATION REFER TO FCI GS-14-1394.
- FCI, SAFETY CERTIFICATE LOGO AND SERIES NAME TO BE SHOWN ON PRODUCT SURFACE.
- THE PRODUCTS WHERE THE PART NUMBER END IN "LF" MEET THE EUROPEAN UNION DIRECTIVE AND OTHER COUNTRY REGULATIONS AS DESCRIBED IN GS-22-008.

TOLERANCES UNLESS OTHERWISE SPECIFIED		rev	ecn no	dr	date
LINEAR	X	±0.5	D	T10-0042	WL 030310
	X.X	±0.30	-	-	-
	X.XX	±0.10	-	-	-
ANGULAR	X'	±1'	-	-	-

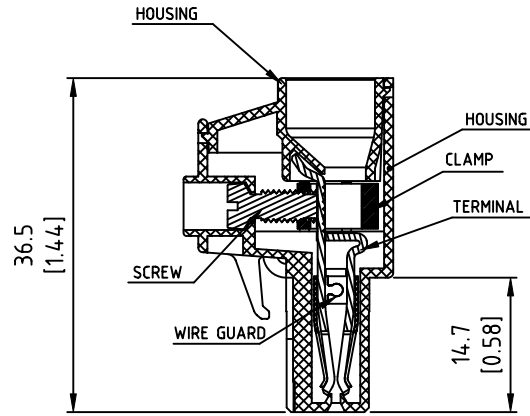
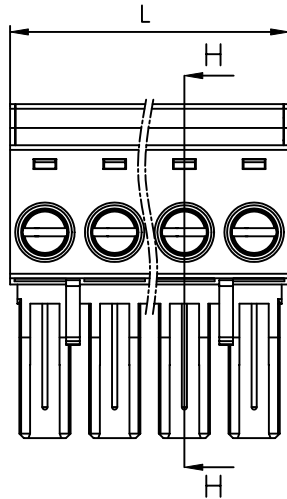
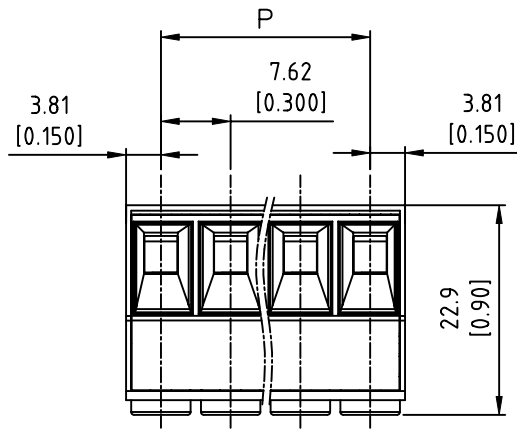
Material	Spec ref	*	tolerance	projection	MM
Mat code	✓				← MM →
Heattreat					
Plating/Finish					
Dr BEER FU	062509			size A4	Scale
Eng BEER FU	062509	Product family			
Chr GARY HSIEH	062509	Model Name	ECN	T10-0042	
Appr JOSEPH HSIA	062509	Model Revision	REL Level	RELEASED	
	title	TERMINAL BLOCK	dwg no	20020516	Rev. D
Pro/E file	catalog no		CUSTOMER	sheet 1 of 2	

FCI CONFIDENTIAL



This document is the property of and embodies CONFIDENTIAL and PROPRIETARY information of FCI. No part of the information shown on this document may be used in any way or disclosed to others without the written consent of FCI. Copyright, FCI.

PRODUCT NUMBER	SERIES NAME	PITCH
20020516-MXX1B01LF	04-762	7.62 mm



N = Number of poles
 Dim L = N x 7.62 [0.300]
 Dim P = (N-1) x 7.62 [0.300]

TOL.	Dim L	Dim P
2-4p	±0.10 [0.004]	
5-8p	±0.20 [0.008]	
9-12p	±0.30 [0.012]	
13-16p	±0.40 [0.016]	

Material		Spec ref		
Mat code		✓	tolerance	projection
Heattreat				MM
Plating/Finish				← MM →
Dr	BEER FU 062509		size	A4 Scale
Eng	BEER FU 062509	Product family		
Chr	GARY HSIEH 062509	Model Name		ECN T10-0042
Appr	JOSEPH HSIA 062509	Model Revision		REL Level RELEASED
	title	TERMINAL BLOCK		dwg no
		Pluggable plug, contact down side		20020516
Pro/E file	catalog no	CUSTOMER		Rev. D
		sheet 2 of 2		