



MEA-2500-SM

CELLULAR/LTE MIMO Screw Mount
Part #: 100-00212-01



Description

The MEA-2500-SM is a 3in1 Cellular/LTE/MIMO technology solution by Maxtena. The antenna features Cellular/LTE (698-960, 1710-2170, 2500-2700 MHz) frequency coverage. This is an ideal antenna for telematics systems, remote surveillance, asset tracking and any IOT system applications. The high performance and low profile make this antenna ideal for the most challenging installations.

This screw mount antenna is easy to install with maximum durability offering IP67 rated housing. The MEA-2500-SM has a two cables with a SMA-Male standard connectors, 2m standard cable length and is fully customizable by offering additional connector types, and cable lengths.

Electrical Specification

Parameter		Specification		
Cable 1 - CELLULAR / LTE Antenna	Center Frequency	698-960 MHz	1710-2170 MHz	2500-2700 MHz
	Band	700/850/900 MHz	1700/1800/1900/2100 MHz	2600 MHz
	Return Loss	-9.4 dB	-7.8 dB	-19.4 dB
	VSWR	2.1:1	2.4:1	1.3:1
	Efficiency	31.5%	30.4%	43.8%
	Peak Gain	0.7 dBi	2.7 dBi	4.3 dBi
	Average Gain	-5.0 dB	-5.2 dB	-3.6 dB
	Impedance	50 Ω		
	Polarization	Linear		
	Radiation Pattern	Omni-Directional		
	Max. Input Power	25 W		
Cable 2 - CELLULAR / LTE Antenna	Center Frequency	698-960 MHz	1710-2170 MHz	2500-2700 MHz
	Band	700/850/900 MHz	1700/1800/1900/2100 MHz	2600 MHz
	Return Loss	-9.9 dB	-8.1 dB	-19.5 dB
	VSWR	2.0:1	2.3:1	1.3:1
	Efficiency	33.0%	29.5%	43.1%
	Peak Gain	1.4 dBi	2.2 dBi	4.4 dBi
	Average Gain	-4.8 dB	-5.5 dB	-3.7 dB
	Impedance	50 Ω		
	Polarization	Linear		
	Radiation Pattern	Omni-Directional		
	Max. Input Power	25 W		

Features

- CELLULAR / LTE (698-960 MHz, 1710-2170 MHz, and 2500-2700 MHz)
- Easy mounting: Screw Mount
- Ground Plane Independent
- Customizable Cable and Connector
- Low profile : 80 x 74 x 14.7 mm
- IP67

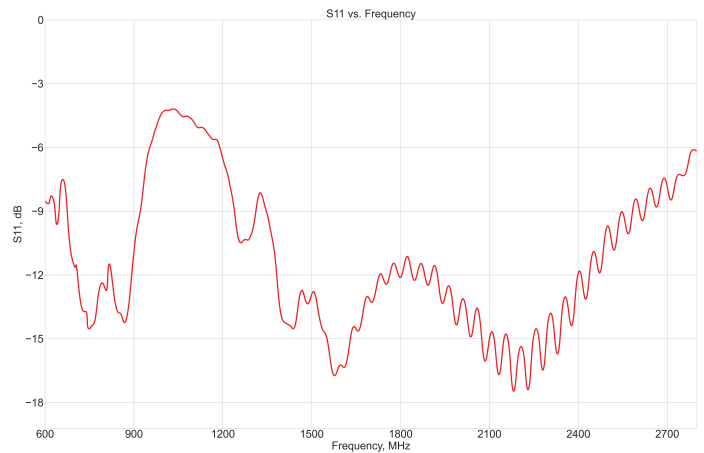
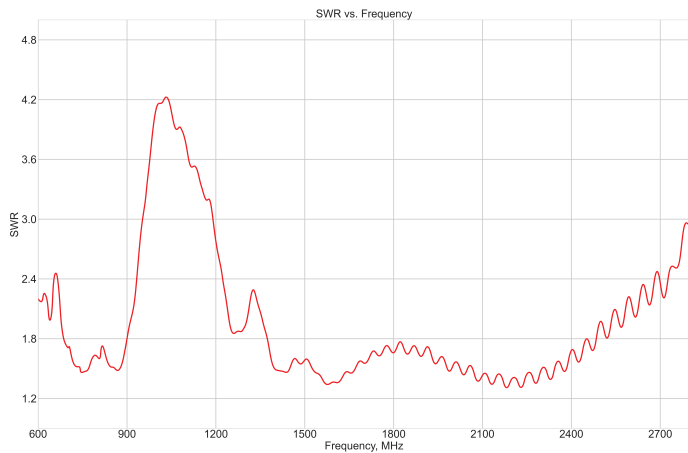
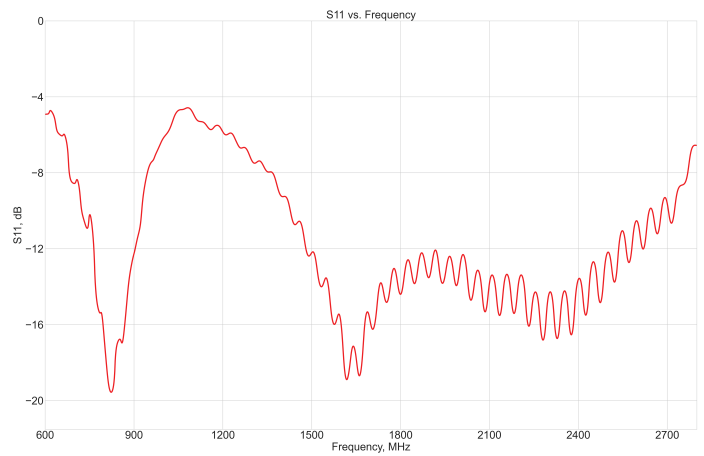
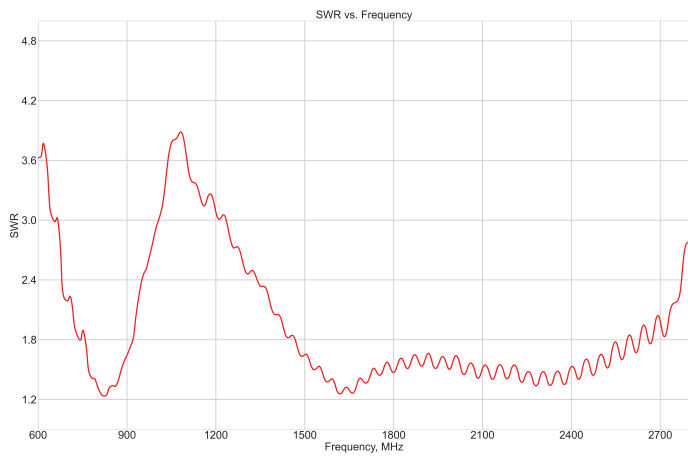
Applications

- Fleet Management
- Commercial Transport
- HD Video Monitoring
- Buses, Train & Commercial Applications
- Smart Cities

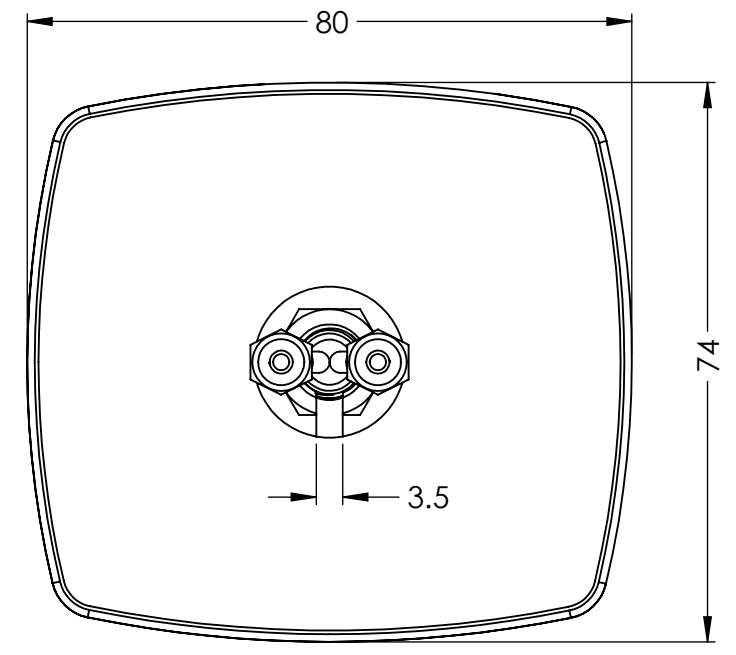
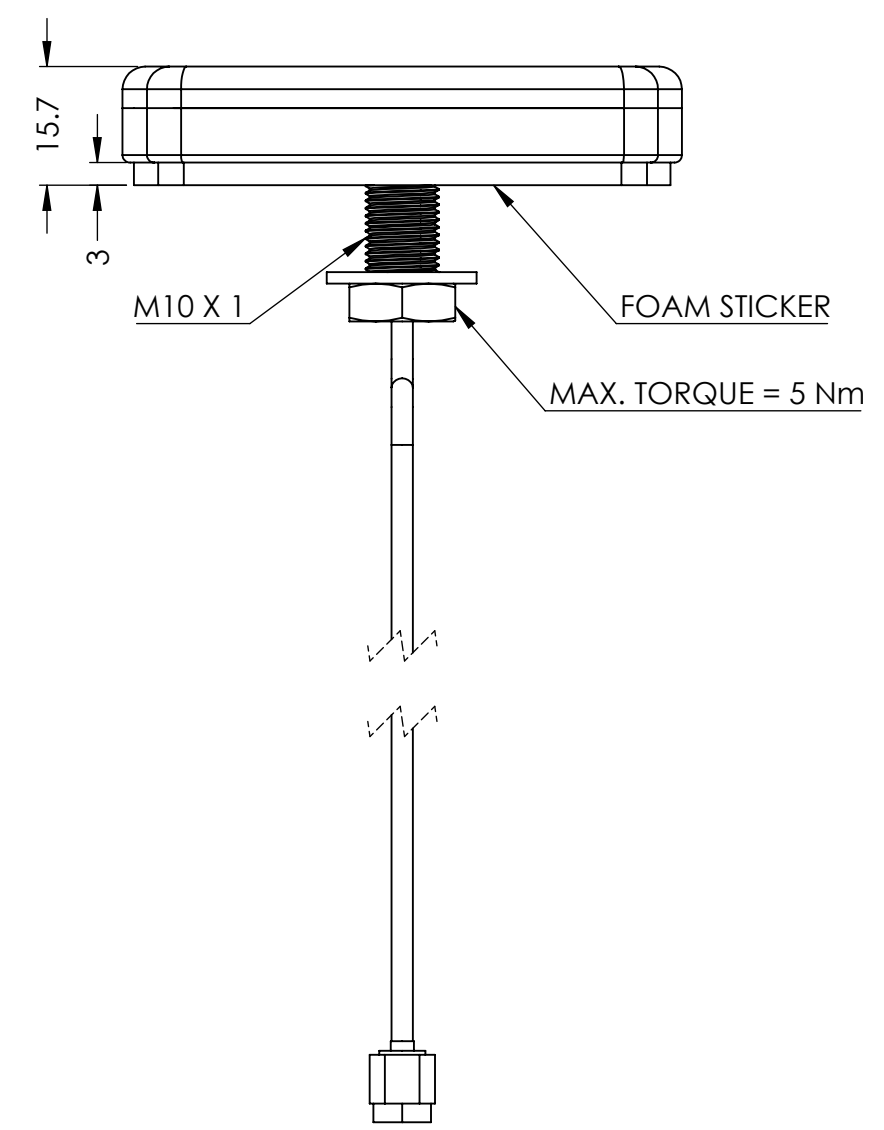
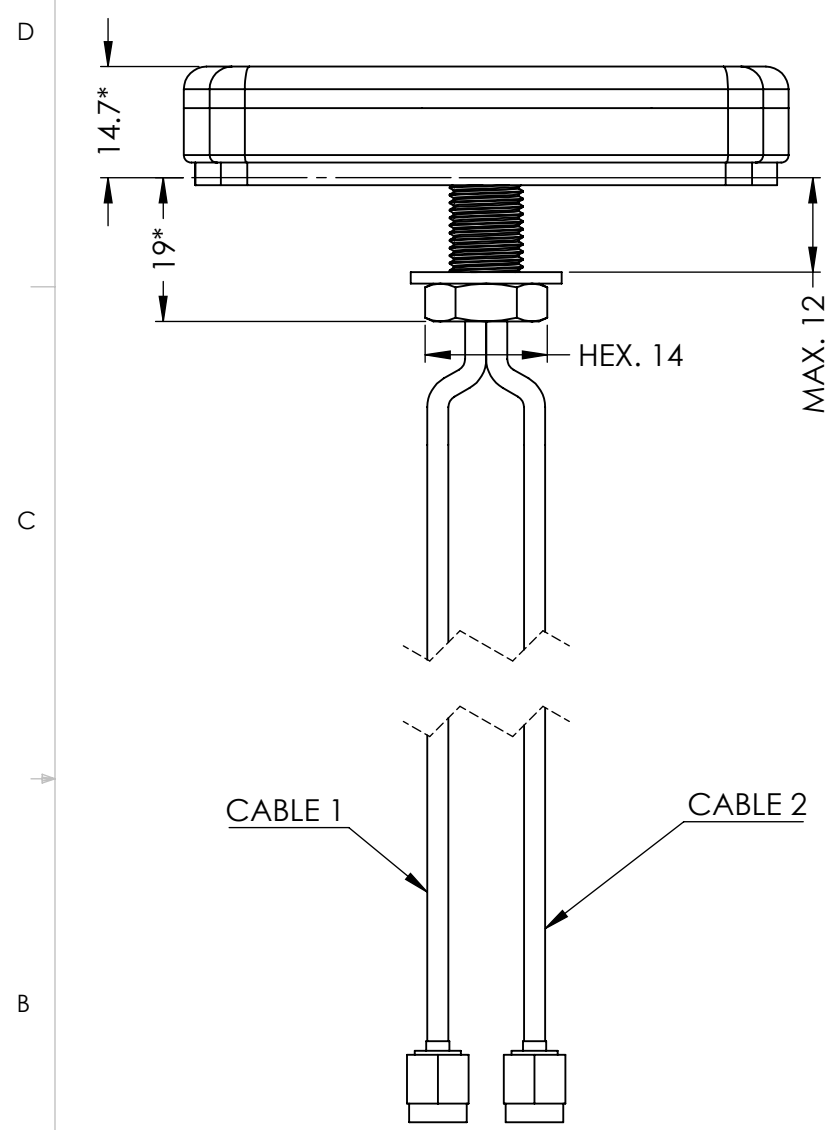
Mechanical Specification

Parameter	Specification
Antenna Dimensions	80 x 74 x 14.7 mm
Weight	107 g
Operating Temperature	-40°C to + 85°C
Mounting Type	Screw Mount
Connector	SMA-Male Standard (Other Connectors Available)
Cable	LL100 Standard
Radome	ABS / Black
Substance Compliance	RoHS
Certificates	IP67

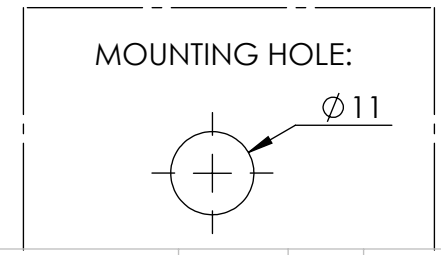
*Mounted on 30 x 30 x 0.25 cm ABS Plate



DRAWING REVISION HISTORY			
REV	DESCRIPTION	DATE	BY
A	INITIAL RELEASE	2021-11-17	JET



- NOTES:
- FREQUENCY:
 CABLE 1: 698-960 MHz, 1710-2170 MHz, 2500-2700 MHz
 CABLE 2: 698-960 MHz, 1710-2170 MHz, 2500-2700 MHz
 - *DIMENSIONS ARE AFTER MOUNTING
 - CUSTOMIZABLE CABLE AND CONNECTOR TYPE
 - MOUNTING TYPE: SCREW MOUNT
 - MAX. MOUNTING THICKNESS: 12 mm
 - MATERIALS:
 - RADOME: ABS
 - RADOME COLOR: BLACK
 - OPERATING TEMPERATURE: -40° C ~ +85° C
 - STORAGE TEMPERATURE: -40° C ~ +85° C
 - CERTIFICATION: IP67



100-00212 CONFIGURATION TABLE				
DASH NO	CABLE TYPE	CABLE LENGTH	CONNECTOR TYPE	RADOME COLOR
-01	CABLE 1: LL100 CABLE 2: LL100	200 CM 200 CM	SMA-MALE SMA-MALE	BLACK

ITEM 100-00212 REVISION HISTORY			
REV	DESCRIPTION	DATE	BY
A	INITIAL RELEASE	2021-11-17	JET

UNLESS OTHERWISE SPECIFIED:		NAME	DATE	MAXTENA, INC TITLE: 100-00212 ME A-2500-SM		
DIMENSIONS ARE IN MM		DRAWN	JET			2021-11-17
TOLERANCES:		CHECKED	ZX			2021-11-17
FRACTIONAL: ±		ENG APPR.	NPC			2021-11-17
ANGULAR: MACH ± .5° BEND ±		MFG APPR.			SIZE DWG. NO. REV B 117-00541-01 A	
ONE PLACE DECIMAL ± 1.0		Q.A.				
TWO PLACE DECIMAL ± .50		CAD MAINTAINED. CHANGES SHALL BE INCORPORATED BY THE DESIGN ACTIVITY.			CAGE CODE: 5KQH7	
INTERPRET GEOMETRIC TOLERANCING PER:		DO NOT SCALE DRAWING			SCALE: NONE	
 THIRD ANGLE PROJECTION					SHEET 1 OF 1	

PROPRIETARY AND CONFIDENTIAL
 THE INFORMATION CONTAINED IN THIS DRAWING IS THE SOLE PROPERTY OF MAXTENA, INC. ANY REPRODUCTION IN PART OR AS A WHOLE WITHOUT THE WRITTEN PERMISSION OF MAXTENA, INC IS PROHIBITED.