

PLEASE CHECK WWW.MOLEX.COM FOR LATEST PART INFORMATION

Part Number: [1300270049](#)
Status: **Active**
Overview: [devicenet industrial networks](#)
Description: DeviceNet* Cable Plus Drain, Single Ended Micro-Change® Cordsets, Straight Female, Length 2.0m (6.56')

Documents:

[Drawing \(PDF\)](#) [RoHS Certificate of Compliance \(PDF\)](#)

Agency Certification

CSA LR6837
 UL E152210

General

Product Family Industrial Cordsets
 Series [130027](#)
 Connector End A Micro-Change® (M12)
 Connector End B Pigtail
 IP Rating IP67
 Overview [devicenet industrial networks](#)
 Product Name DeviceNet* Trunk
 Type Single Ended

Physical

Cable Diameter 12.10mm (.480")
 Cable Length 2.0m (6.56')
 Color - Cable Jacket Gray
 Coupling Style Threaded
 Gender Female-Pigtail
 Keyway Single
 LED Indicator No
 Material - Cable Jacket PVC
 Material - Connector Body PVC
 Material - Contact Copper
 Material - Coupling Nut Die-Cast Zinc
 Material - Plating Mating Gold
 Orientation Straight
 Poles 5
 Temperature Range - Operating -20°C to +80°C
 Wire Size AWG 22
 Wire/Cable Type Shielded-Twisted Pair

Electrical

Current - Maximum per Contact 4A
 Voltage - Maximum 250V AC/DC

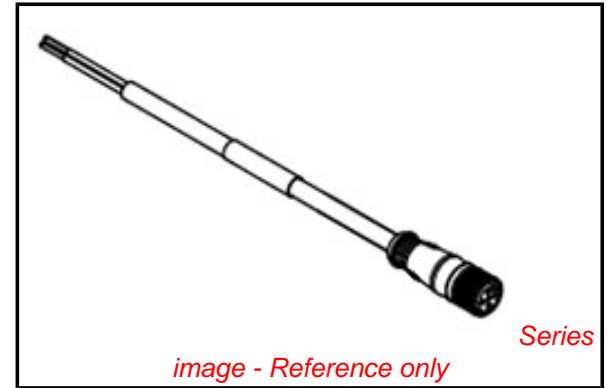
Material Info

Old Part Number DND20A-M020

Reference - Drawing Numbers

Sales Drawing SD-130027-007

*DeviceNet is a trademark of the ODVA



EU RoHS

ELV and RoHS Compliant
REACH SVHC
 Not Reviewed
Halogen-Free Status
 Not Reviewed

China RoHS



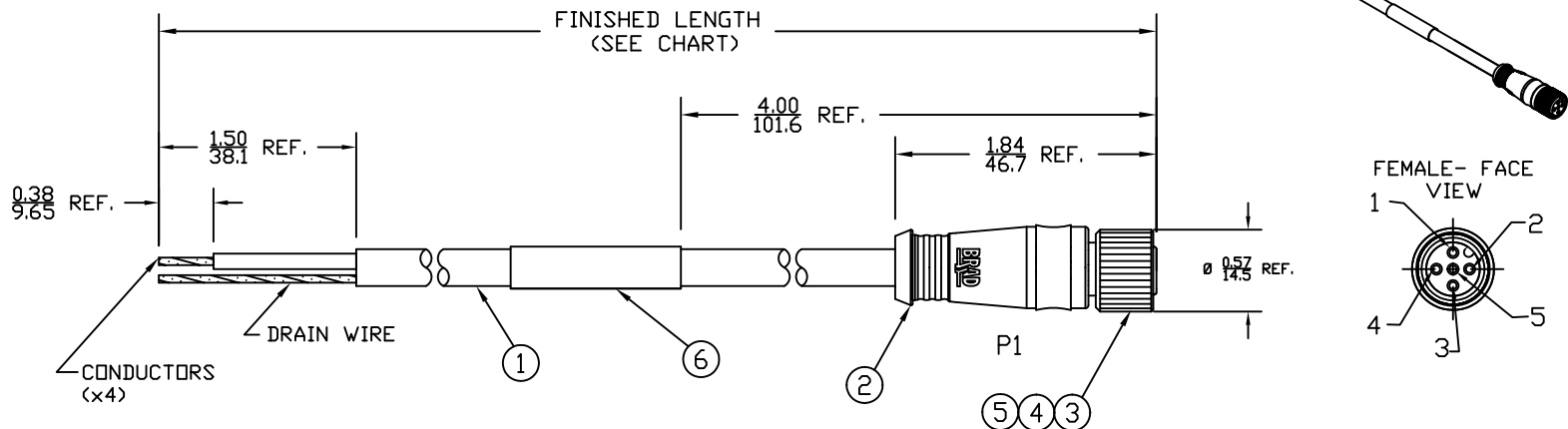
Need more information on product environmental compliance?

Email productcompliance@molex.com
 For a multiple part number RoHS Certificate of Compliance, [click here](#)

Please visit the [Contact Us](#) section for any non-product compliance questions.

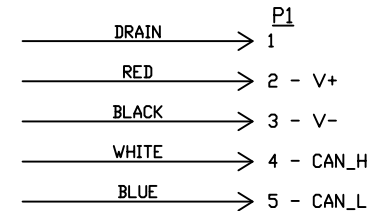
Search Parts in this Series
[130027Series](#)

MATERIAL NUMBER	ENGINEERING NUMBER	FINISHED LENGTH	MATERIAL NUMBER	ENGINEERING NUMBER	FINISHED LENGTH (FT/MT)
1300270046	DND20A-M003	.98' +.75" -0 [1.3M +19.1 -0]	1300270054	DND20A-M070	22.97' +6.50" -0 [7.0M +165.1 -0]
1300270047	DND20A-M005	1.64' +1.75" -0 [1.5M +44.5 -0]	1300270055	DND20A-M080	26.25' +12.50" -0 [8.0M +317.5 -0]
1300270048	DND20A-M010	3.28' +2.19" -0 [1.0M +55.6 -0]	1300270056	DND20A-M100	32.81' +12.50" -0 [10.0M +317.5 -0]
1300270049	DND20A-M020	6.56' +3.50" -0 [2.0M +88.9 -0]	1300270057	DND20A-M150	49.21' +24.50" -0 [15.0M +622.3 -0]
1300270050	DND20A-M030	9.84' +3.50" -0 [3.0M +88.9 -0]	1300270058	DND20A-M250	82.02' +24.50" -0 [25.0M +622.3 -0]
1300270051	DND20A-M040	13.12' +6.50" -0 [4.0M +165.1 -0]	1300270158	DND20A-M300	98.43' +24.50" -0 [30.0M +622.3 -0]
1300270052	DND20A-M050	16.40' +6.50" -0 [5.0M +165.1 -0]			
1300270053	DND20A-M060	19.69' +6.50" -0 [6.0M +165.1 -0]			



- NOTES:
- 1) MATERIAL: SEE TABLE
 - 2) FINISHES: SEE TABLE
 - 3) CABLE: #22/4 + DRAIN, DEVICENET DROP
EACH PAIR: SHIELDED, TWISTED
OVERALL: SHIELDED, PVC
 - 4) ELECTRICAL DATA:
MAX. VOLTAGE: 250V AC/DC
MAX. CURRENT 4A
 - 5) ENVIRONMENTAL:
PROTECTION IP67
TEMPERATURE RANGE: -20C TO 80C
 - 6) WRAP LABEL IS MARKED WITH P/N, DATE CODE,
VOLTAGE & AMPERAGE.
 - 7) ASSEMBLY IS ROHS COMPLIANT.

SCHEMATIC



ITEM	QTY.	DESCRIPTION	MATERIAL	FINISH
6	1	LABEL	PLASTIC FILM	BLACK/YELLOW
5	1	INSERT	NYLON	BLACK
4	5	SOCKET CONTACT	COPPER ALLOY	GOLD PLATED
3	1	M12 COUPLING NUT	ZINC DIE-CAST	BLACK
2	1	OVERMOLD	PVC	GRAY
1	1	DEVICENET DROP CABLE	PVC JACKET	GRAY

RELEASE EC NO: WNA2010-0410 DRWN: TWOLDEGE 2010/01/06 CHKD: BWOODMAN APPR: JFMURPHY 2010/01/20	QUALITY SYMBOLS	GENERAL TOLERANCES (UNLESS SPECIFIED) <table border="1"> <thead> <tr> <th></th> <th>mm</th> <th>INCH</th> </tr> </thead> <tbody> <tr> <td>4 PLACES</td> <td>±---</td> <td>±---</td> </tr> <tr> <td>3 PLACES</td> <td>±---</td> <td>±0.005</td> </tr> <tr> <td>2 PLACES</td> <td>±0.13</td> <td>±0.010</td> </tr> <tr> <td>1 PLACE</td> <td>±0.25</td> <td>±0.020</td> </tr> </tbody> </table>		mm	INCH	4 PLACES	±---	±---	3 PLACES	±---	±0.005	2 PLACES	±0.13	±0.010	1 PLACE	±0.25	±0.020
			mm	INCH													
	4 PLACES		±---	±---													
	3 PLACES		±---	±0.005													
2 PLACES	±0.13	±0.010															
1 PLACE	±0.25	±0.020															
▽=0																	
∇=0																	
	ANGULAR ±1/2°																

DRAFT WHERE APPLICABLE MUST REMAIN WITHIN DIMENSIONS	DIMENSION STYLE	IN/MM
	SCALE	1:1
	DESIGN UNITS	INCH
	THIRD ANGLE PROJECTION	

DRAWN BY	DATE	TITLE
---	---	MICRO DEVICE NET
CHECKED BY	DATE	5-POLE FEMALE ST DROP
BWOODMAN	---	22/4AWG W/DRAIN GRAY PVC
APPROVED BY	DATE	MOLEX INCORPORATED
JFMURPHY	2010/01/20	
MATERIAL NO.	DOCUMENT NO.	SHEET NO.
	SD-130027-007	1 OF 1
SIZE	THIS DRAWING CONTAINS INFORMATION THAT IS PROPRIETARY TO MOLEX INCORPORATED AND SHOULD NOT BE USED WITHOUT WRITTEN PERMISSION	
A		