

## PIC-M175753 NdFeB Ring Magnet

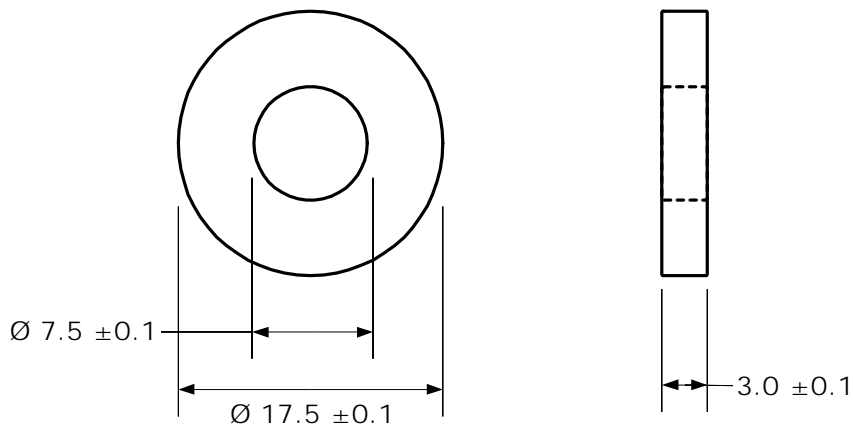
### Data

<b>Material</b>	NdFeB, Ni-coated	
<b>Orientation</b>	axially	
<b>Remanence Br</b>	mT	1190
<b>Coercivity HcB</b>	kA/m	828
<b>Coercivity HcJ</b>	kA/m	1512
<b>Energy Product (BH) max.</b>	kJ/m <sup>3</sup>	275
<b>Magnetic Moment M</b>	x10 <sup>-5</sup> Vs cm	6.50
<b>Operating Temperature max.</b>	°C	150
<b>Curie Temperature Tc</b>	°C	340
<b>Temperature Coefficient Tk(Br)</b>	%/°C	-0.10
<b>Density</b>	g/cm <sup>3</sup>	7.5

Nominal values unless otherwise specified

### Dimensions

in mm



Customized types available.