

## FEATURES

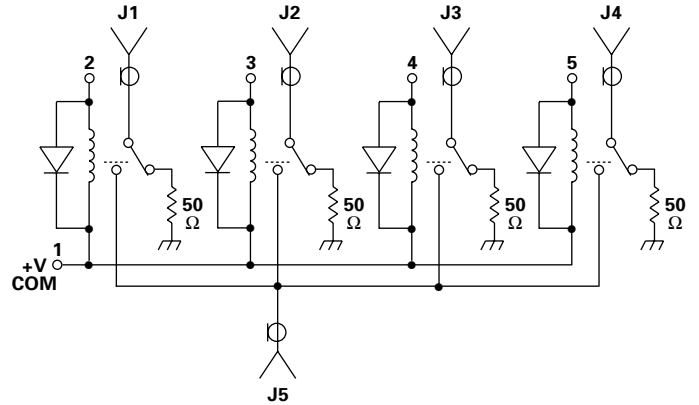
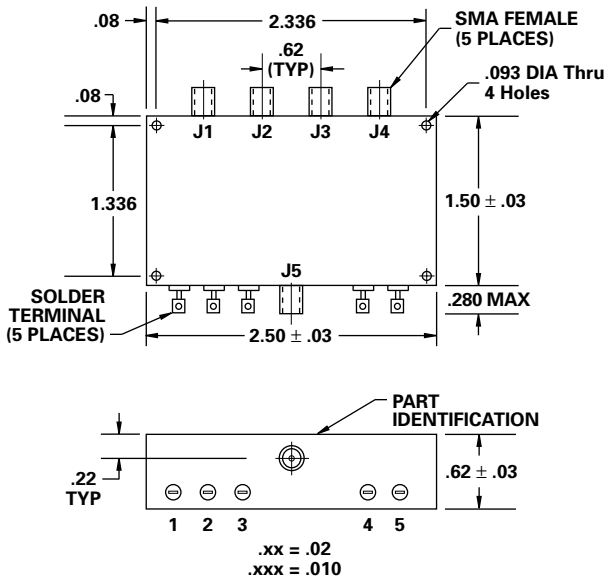
- DC - 450 MHz
- 20 Watts CW
- Non-Reflective
- SMA Connectors



MODEL NO.  
100C0613

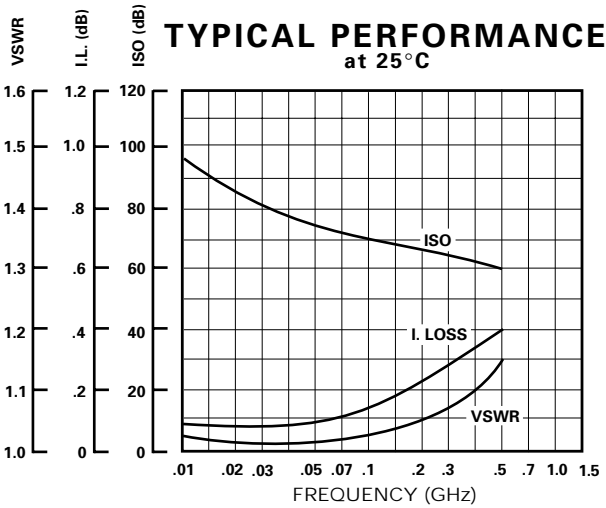
## SP4T RELAY

SP4T



## GUARANTEED PERFORMANCE

| Parameter             | Min  | Typ    | Max    | Units | Conditions    |
|-----------------------|------|--------|--------|-------|---------------|
| Operating Frequency   | DC   |        | 450    | MHz   |               |
| DC Voltage            |      |        |        |       | See Table     |
| Insertion Loss        |      | 0.25   | 0.35   | dB    | DC - 200 MHz  |
|                       |      | 0.40   | 0.5    |       | 200 - 450 MHz |
| Isolation             | 60   | 70     |        | dB    | DC - 250 MHz  |
|                       | 50   | 60     |        |       | 250 - 450 MHz |
| VSWR                  | Thru | 1.05/1 | 1.1/1  |       | DC - 200 MHz  |
|                       |      | 1.15/1 | 1.25/1 |       | 200 - 450 MHz |
| Impedance             |      | 50     |        | OHMS  |               |
| Switching Speed       |      |        | 5      | mSEC  |               |
| RF Power              |      |        | 20     | W     | CW            |
| Operating Temperature | -55  | +25    | +85    | °C    | TA            |



| Voltage | Current - Typical |
|---------|-------------------|
| 6       | 65 mA per throw   |
| 12      | 32 mA per throw   |
| 18      | 21 mA per throw   |
| 26      | 17 mA per throw   |

PART NO. EXAMPLE - SEE TABLE  
100C0613 - 26

Basic Part Number | Dash No. same as coil voltage