

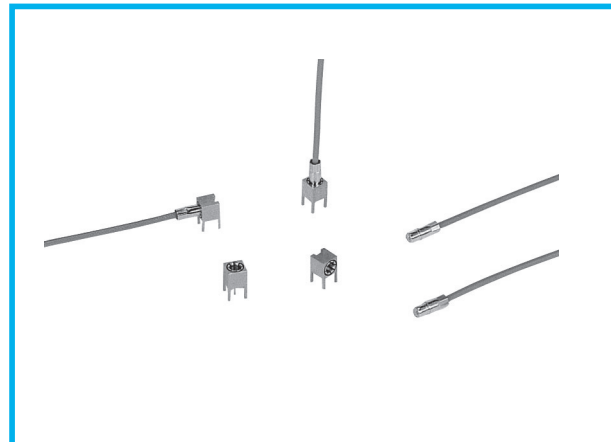
# Low Profile Coaxial Connector

## Y90 Series

DDK Ltd.

### FEATURE

- A low profile coaxial connector for high density telecom equipments.(4.4mm mating height from PCB).
- Frequency range is DC ~ 1GHz.
- Plug for cable and receptacle for PCB mounting style are available.
- Y90A series can be mated.



### SPECIFICATIONS

Characteristic Impedance	50 Ω
Rated Voltage	100VAC(r.m.s.)
Dielectric Withstanding Voltage	1500V AC(r.m.s) / 1 minute
Insulation Resistance	1,000M Ω min. at 500V DC
Contact Resistance	10m Ω max.
V.S.W.R.	1.2 max. (DC ~ 1GHz)
Operating Temperature	-40 ~ +85°C

\* The specifications are typical but may not apply to all connectors.  
Please check the specifications on each item with its drawing from us when you use.

### MATERIAL/FINISH

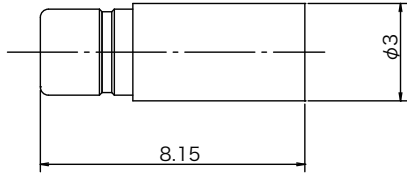


Item	Material / Finish
Outer Conductor(Male)	Copper Alloy / Au Plating
Outer Conductor(Female)	Copper Alloy / Au Plating
Contact(Male)	Copper Alloy / Au Plating
Contact(Female)	Copper Alloy / Au Plating
Insulator	PTTE

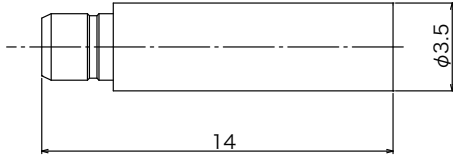
- ※ Y90A-LR-PC-1 . . . . PBT / Black
- Y90A-LP-SMT-A . . . . LCP / Black

© Please acknowledge that the specification etc. of this catalog might change by the improvement etc. without a previous notice.  
Moreover, the characteristic and the specification of the published product are the reference values.  
Please confirm the content with the latest delivery specifications when you use the product.

▶ Plug

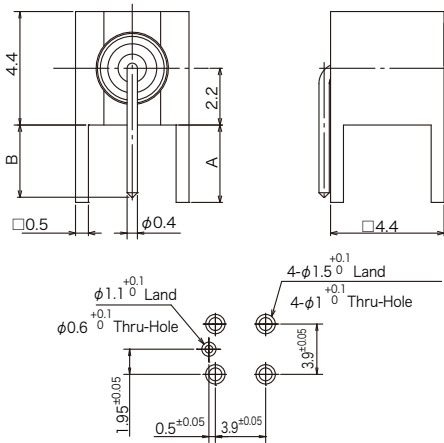


Part Number	Applicable Cable	Crimp Tool
Y90-SP-A12B0320-CF	A12B0320	CR-H-1151



Part Number	Applicable Cable	Crimp Tool
Y90-SP-0.8DV-CR-CF	0.8D-QEV · CW	CR-H-13510

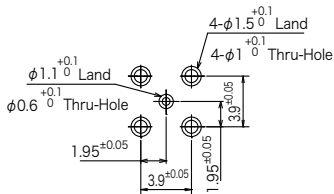
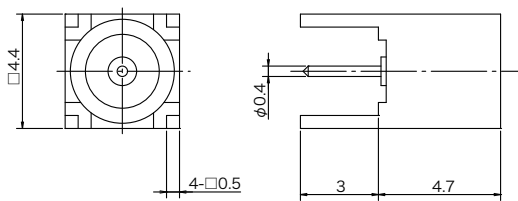
▶ Receptacle



PCB Mounting Dimensions

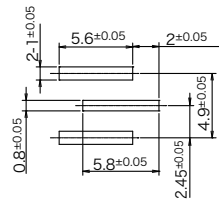
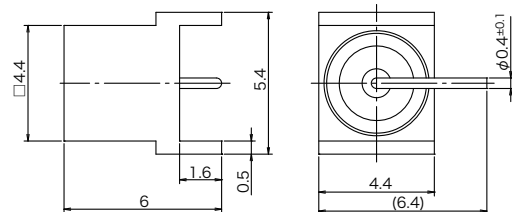
Part Number	A	B
Y90-LR-PC-CF	3.00	2.80
Y90-LR-PC-1-CF	1.90	1.75
Y90-LR-PC-2-CF	1.85	1.75
Y90-LR-PC-3-CF	3.00	2.70

Part Number
Y90-SR-PC-CF



PCB Mounting Dimensions

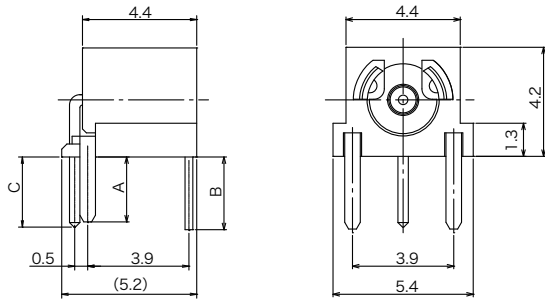
Part Number
Y90-SR-PS-CF



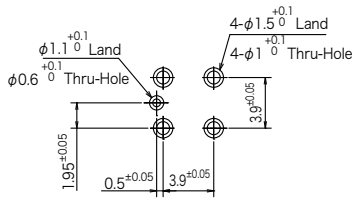
PCB Mounting Dimensions

© Please acknowledge that the specification etc. of this catalog might change by the improvement etc. without a previous notice.  
 Moreover, the characteristic and the specification of the published product are the reference values.  
 Please confirm the content with the latest delivery specifications when you use the product.

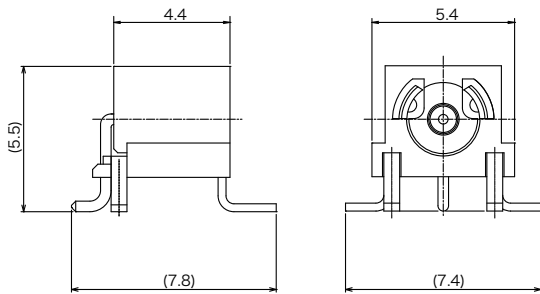
▶ Receptacle



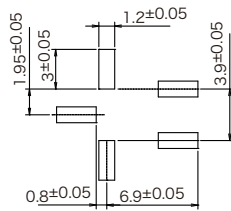
Part Number	Dimensions		
	A	B	C
Y90A-LR-PC-1	1.90	1.90	1.75
Y90A-LR-PC-D1	2.50	2.80	2.70



PCB Mounting Dimensions



Part Number
Y90A-LR-SMT-A



PCB Mounting Dimensions

▶ Connector Mating / Unmating Tool

If it is difficult to mate / unmate the connector in the narrow space, the connector mating / unmating tool is available.

(Part Number : 357J-12438)

© Please acknowledge that the specification etc. of this catalog might change by the improvement etc. without a previous notice. Moreover, the characteristic and the specification of the published product are the reference values. Please confirm the content with the latest delivery specifications when you use the product.