

General Description

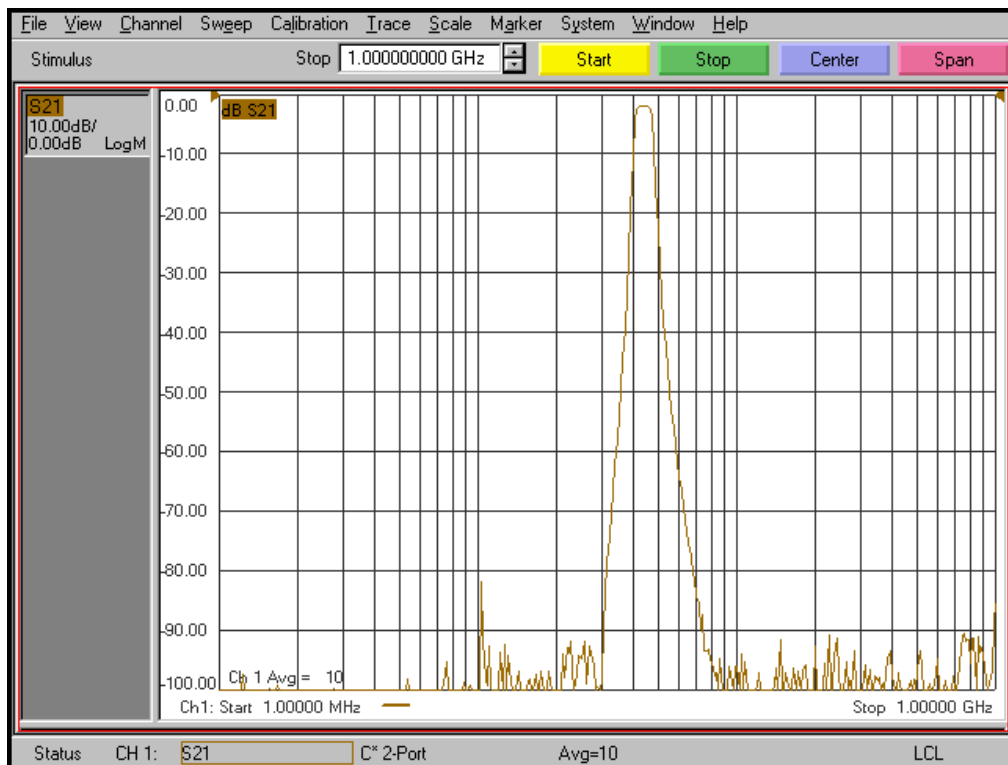
KR Electronics part number 3114-SMA is a 43.75 MHz band-pass filter. The filter has a typical 3 dB bandwidth of 7 MHz. Other center frequencies and bandwidths are available. Please consult the factory.

Features

- 43.75 MHz Bandpass Filter
- 7 MHz typical 3 dB Bandwidth
- 50 Ω Source and Load
- SMA Connectors
- Surface mount available

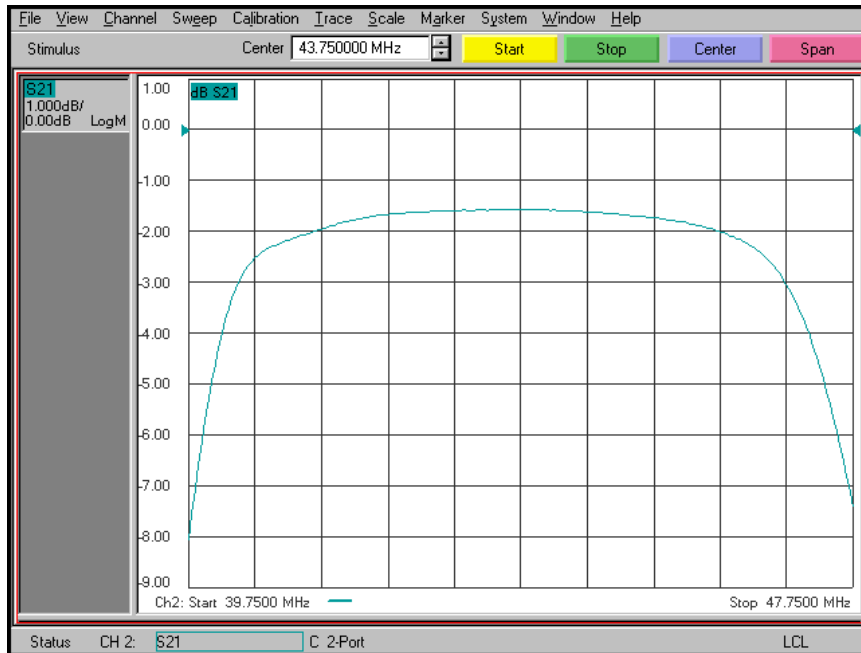
Typical Performance

Overall Response (10 dB/div)

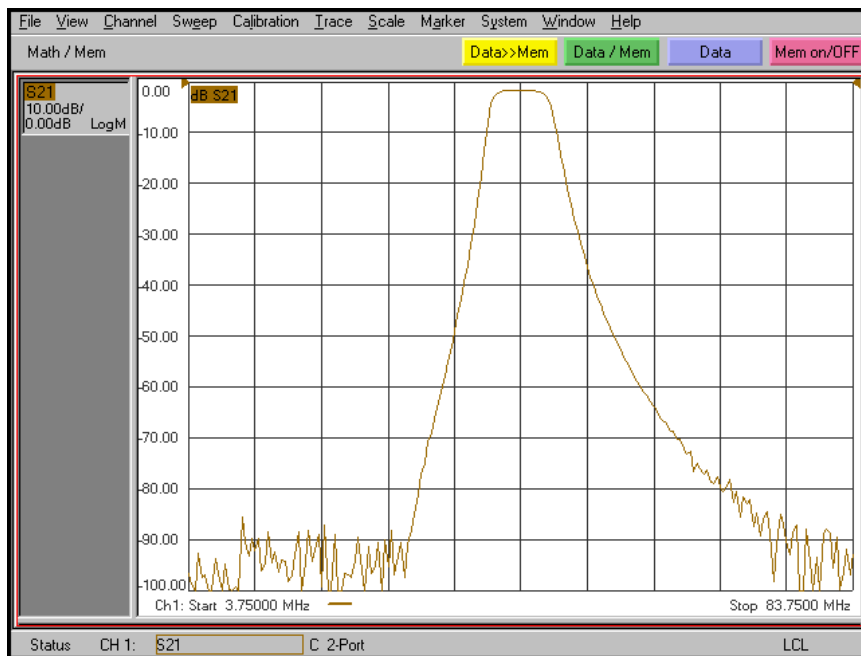


Typical Performance

Passband Amplitude (1 dB/div)



Overall Response (10 dB/div)



KR Electronics, Inc.
91 Avenel Street
Avenel, NJ 07001

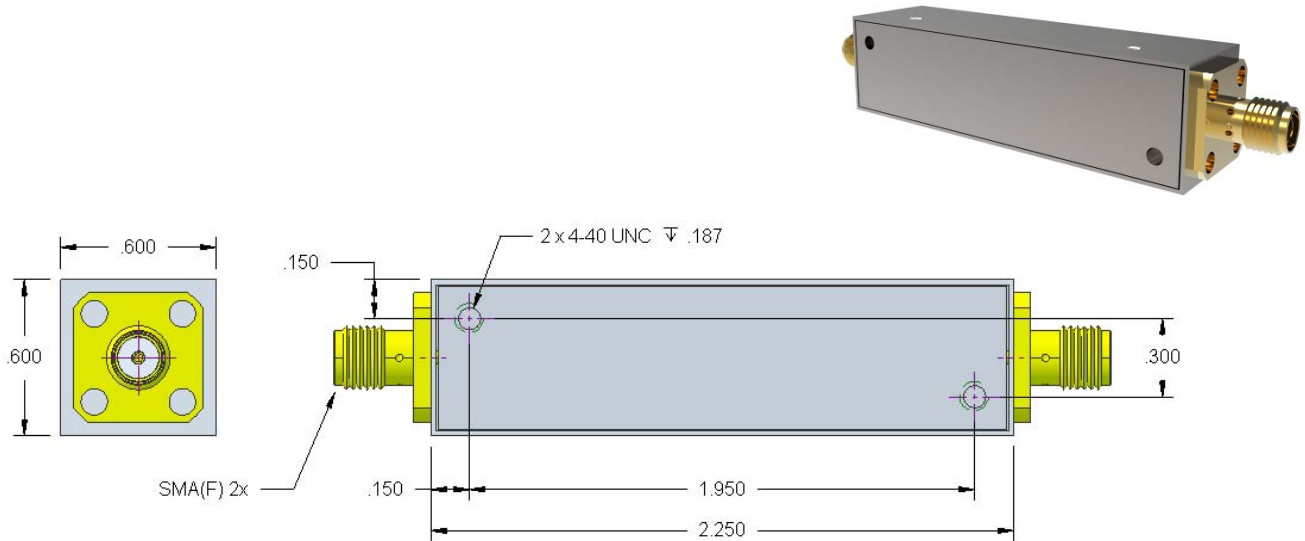
Web www.krfilters.com
Email sales@krfilters.com
Phone (732) 636-1900
Fax (732) 636-1982

KR Electronics 3114-SMA

Specifications

Parameter	Specification	Notes
Filter type	Bandpass	
Center Frequency	43.75 MHz	
Insertion Loss	2.5 dBa max	1.6 dBa typical
3 dBc Bandwidth	7 MHz typical	
40 dBc Bandwidth	16 MHz typical	
60 dBc Bandwidth	24.7 MHz typical	
Source and Load	50 Ω	

Physical Dimensions



Notes:

1. Dimensions in inches
2. Rectangular case
3. Also available in surface mount package, see part number 3114

KR Electronics, Inc.
91 Avenel Street
Avenel, NJ 07001

Web www.krfilters.com
Email sales@krfilters.com
Phone (732) 636-1900
Fax (732) 636-1982