

**PLEASE CHECK WWW.MOLEX.COM FOR LATEST PART INFORMATION**

**Part Number:** [0907092601](#)  
**Status:** **Active**  
**Overview:** [cgrid\\_sl\\_products](#)  
**Description:** 2.54mm (.100") Pitch, C-Grid® Header, Dual Row, Low Profile, Right Angle, Shrouded, 26 Circuits, 0.38µm (15µ" ) Gold (Au) Selective Plating

**Documents:**

[3D Model](#) [RoHS Certificate of Compliance \(PDF\)](#)  
[Drawing \(PDF\)](#)

**General**

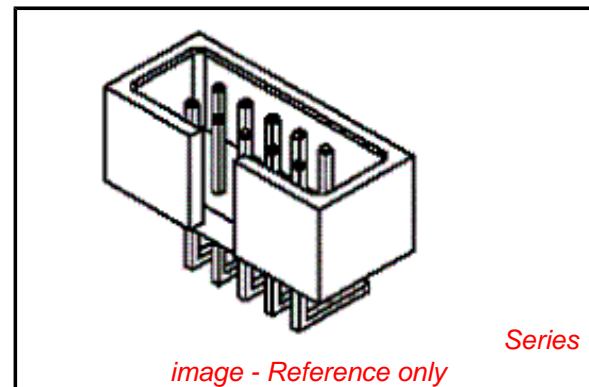
Product Family	PCB Headers
Series	<a href="#">90709</a>
Application	Wire-to-Board
Overview	<a href="#">cgrid_sl_products</a>
Product Name	C-Grid®

**Physical**

Breakaway	No
Circuits (Loaded)	26
Circuits (maximum)	26
Color - Resin	Black
Durability (mating cycles max)	50
First Mate / Last Break	No
Glow-Wire Compliant	No
Guide to Mating Part	No
Keying to Mating Part	None
Lock to Mating Part	Yes
Material - Metal	Brass
Material - Plating Mating	Gold
Material - Plating Termination	Tin-Lead
Material - Resin	Polyester
Number of Rows	2
Orientation	Right Angle
PC Tail Length (in)	0.120 In
PC Tail Length (mm)	3.05 mm
PCB Locator	No
PCB Retention	None
PCB Thickness Recommended (in)	0.062 In
PCB Thickness Recommended (mm)	1.60 mm
Packaging Type	Tray
Pitch - Mating Interface (in)	0.100 In
Pitch - Mating Interface (mm)	2.54 mm
Plating min: Mating (µin)	15.2
Plating min: Mating (µm)	0.38
Plating min: Termination (µin)	75.2
Plating min: Termination (µm)	1.88
Polarized to Mating Part	Center Slot
Polarized to PCB	No
Shrouded	Fully
Stackable	No
Temperature Range - Operating	-55°C to +120°C
Termination Interface: Style	Through Hole

**Electrical**

Current - Maximum per Contact	2.5A
-------------------------------	------



**EU RoHS**

**ELV and RoHS  
Compliant**  
**REACH SVHC  
Contains SVHC: No**  
**Halogen-Free  
Status**

**China RoHS**



**Need more information on product  
environmental compliance?**

Email [productcompliance@molex.com](mailto:productcompliance@molex.com)  
 For a multiple part number RoHS Certificate of Compliance, [click here](#)

Please visit the [Contact Us](#) section for any non-product compliance questions.

**Search Parts in this Series**

[90709Series](#)

**Mates With**

[70058 SL™ Female Crimp Terminal](#)

Voltage - Maximum

250V

**Material Info**

**Reference - Drawing Numbers**

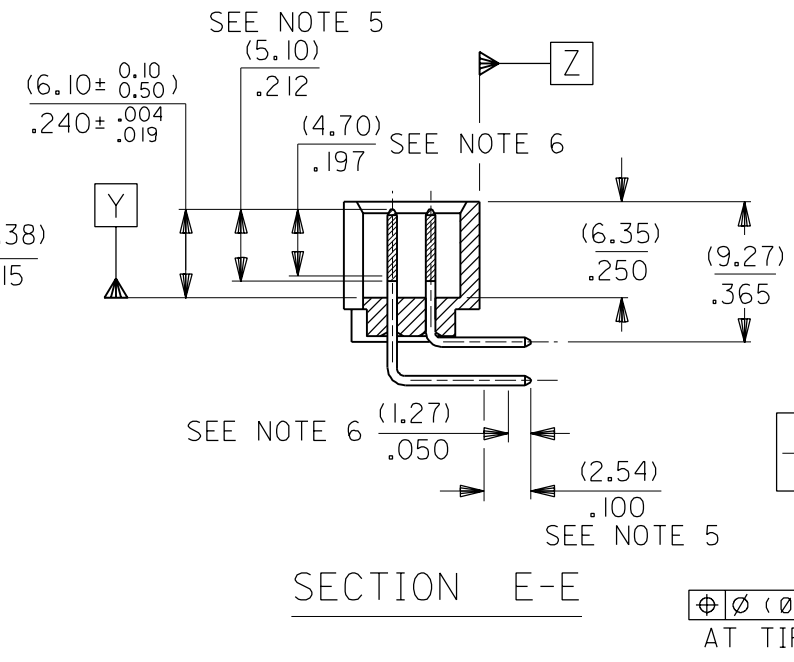
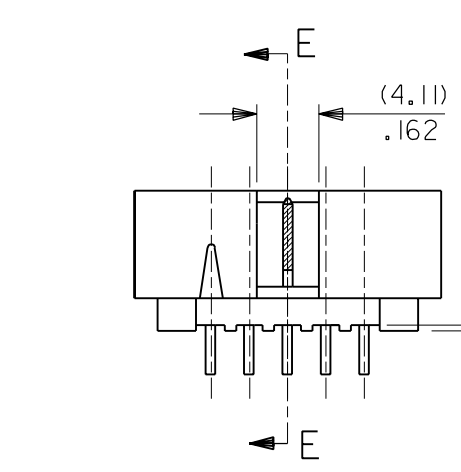
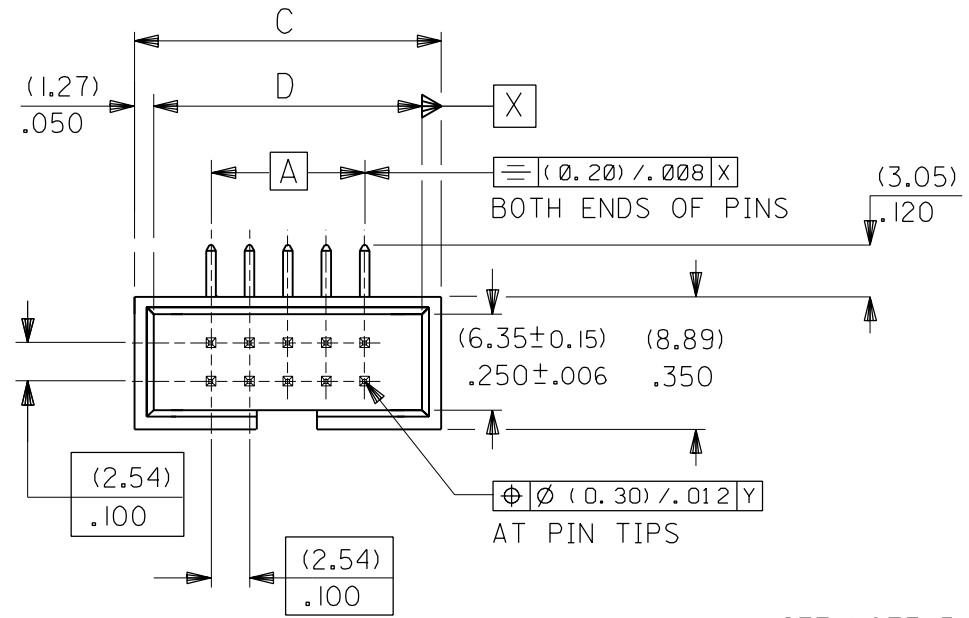
Sales Drawing

SDA-90709

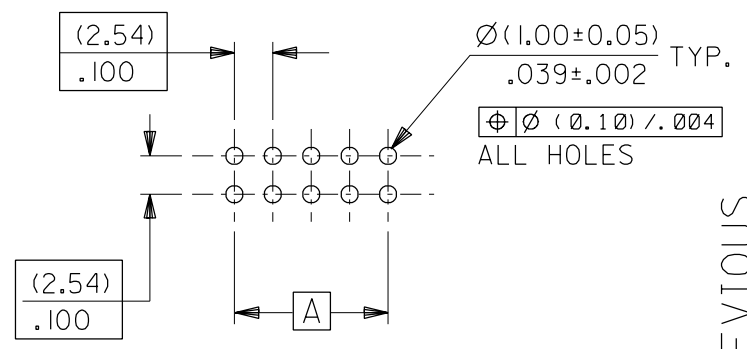
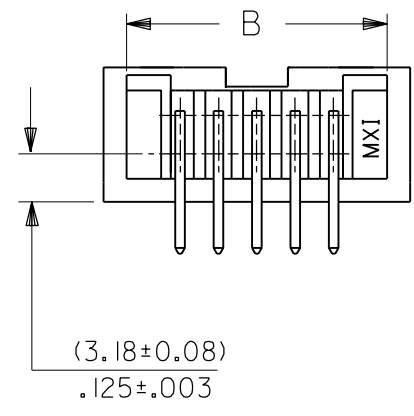
This document was generated on 05/26/2010

**PLEASE CHECK [WWW.MOLEX.COM](http://WWW.MOLEX.COM) FOR LATEST PART INFORMATION**

PART NO. SEE CHART  
 DWG. NO. SDA-90709



RECOMMENDED P.C. BOARD HOLE LAYOUT



FOR PREVIOUS DRAWING ISSUES SEE MRI.

LEAD FREE CONVERSION  
 EC No. E2004-0792  
 DRWN: PSHEAHAN 04/02/17  
 CHK'G: / / / /  
 APPR: / / / /

THIRD ANGLE PROJECTION		DRWG BY <b>POB</b>
DIMENSIONS SHOWN ( METRIC ) INCH UNLESS OTHERWISE SPECIFIED TOLERANCES: ANGULAR ±2° INCH ( METRIC )		CHK'D BY
3 PLACE ± .010		APP'D BY
2 PLACE ± .	± 0.25	SCALE <b>2 : 1</b>
1 PLACE ±		
DRAFT WHERE APPLICABLE MUST REMAIN WITHIN DIMENSIONS		
DESIGN DIMENSION (PRIMARY)	<input checked="" type="checkbox"/> (MM) <input type="checkbox"/> IN.	
EQUIVALENT DIMENSION (SECONDARY)	<input type="checkbox"/> (MM) <input checked="" type="checkbox"/> IN.	

PART NUMBER	CIRCUIT SIZE	DIM A	DIM B	DIM C	DIM D
90709-100*	10	(10.16) 0.400	(17.27) 0.680	(20.32) 0.800	(17.78) 0.700
90709-140*	14	(15.24) 0.600	(22.35) 0.880	(25.40) 1.000	(22.86) 0.900
90709-160*	16	(17.78) 0.700	(24.89) 0.980	(27.94) 1.100	(25.40) 1.000
90709-200*	20	(22.86) 0.900	(29.97) 1.180	(33.02) 1.300	(30.48) 1.200
90709-260*	26	(30.48) 1.200	(37.59) 1.480	(40.64) 1.600	(38.10) 1.500
90709-300*	30	(35.56) 1.400	(42.67) 1.680	(45.72) 1.800	(43.18) 1.700
90709-340*	34	(40.64) 1.600	(47.75) 1.880	(50.80) 2.000	(48.26) 1.900
90709-400*	40	(48.26) 1.900	(55.37) 2.180	(58.42) 2.300	(55.88) 2.200
90709-500*	50	(60.96) 2.400	(68.07) 2.680	(71.12) 2.800	(68.58) 2.700
90709-600*	60	(73.66) 2.900	(80.77) 3.180	(83.82) 3.300	(81.28) 3.200
90709-640*	64	(78.74) 3.100	(85.85) 3.380	(88.90) 3.500	(86.36) 3.400

- NOTES:**
- MATERIALS: WAFER; 15% GLASS FILLED PBT, 94V-0, PINS; (0.635)/.025 SQ BRASS WIRE.
  - PIN SOLDERABILITY PER MOLEX SPEC. ES-152
  - PIN PUSHOUT FORCE (.9072KG)/2LBS MIN.
  - WAFER TO BE FLAT WITHIN (0.03MM/CM)/.003IN/IN
  - THESE DIMENSIONS DEFINE THE MINIMUM COVERAGE FOR PLATING.
  - THESE DIMENSIONS DEFINE THE MEASURING POINT FOR PLATING THICKNESS.
  - FINISH (PER ES-88):
    - 90709-\*\*\*1: GOLD PLATE (0.38um)/15uin MIN. IN SELECTED AREA. (TYPE 587)  
TIN PLATE (1.9um)/75uin MIN. IN SELECTED AREA. OVER (1.3um)/50uin MIN. NICKEL OVERALL.
    - 90709-\*\*\*2: GOLD PLATE (0.76um)/30uin MIN. IN SELECTED AREA. (TYPE 599)  
TIN PLATE (1.9um)/75uin MIN. IN SELECTED AREA. OVER (1.3um)/50uin MIN. NICKEL OVERALL.
    - 90709-\*\*\*3: GOLD PLATE (0.10um)/5uin MIN. IN SELECTED AREA. (TYPE 608)  
TIN PLATE (1.9um)/75uin MIN. IN SELECTED AREA. OVER (1.3um)/50uin MIN. NICKEL OVERALL.

PRE-RELEASE REFERENCE USE ONLY

REVISE ONLY ON CAD SYSTEM		SH.	REV.
CAD/CAM FILENAME SA90709X1 DGN	THIS DRAWING CONTAINS INFORMATION THAT IS PROPRIETARY TO MOLEX INC. & SHOULD NOT BE USED WITHOUT WRITTEN PERMISSION		
TITLE <b>(2.54)/.100 R/A DUAL ROW LOW PROFILE SHROUDED HEADER ASSEMBLY</b>			
molex MOLEX EUROPE		SHEET NO. 10F1	DATE 9/10/01
PART NO. SEE CHART	DWG NO. SDA-90709	SIZE B	