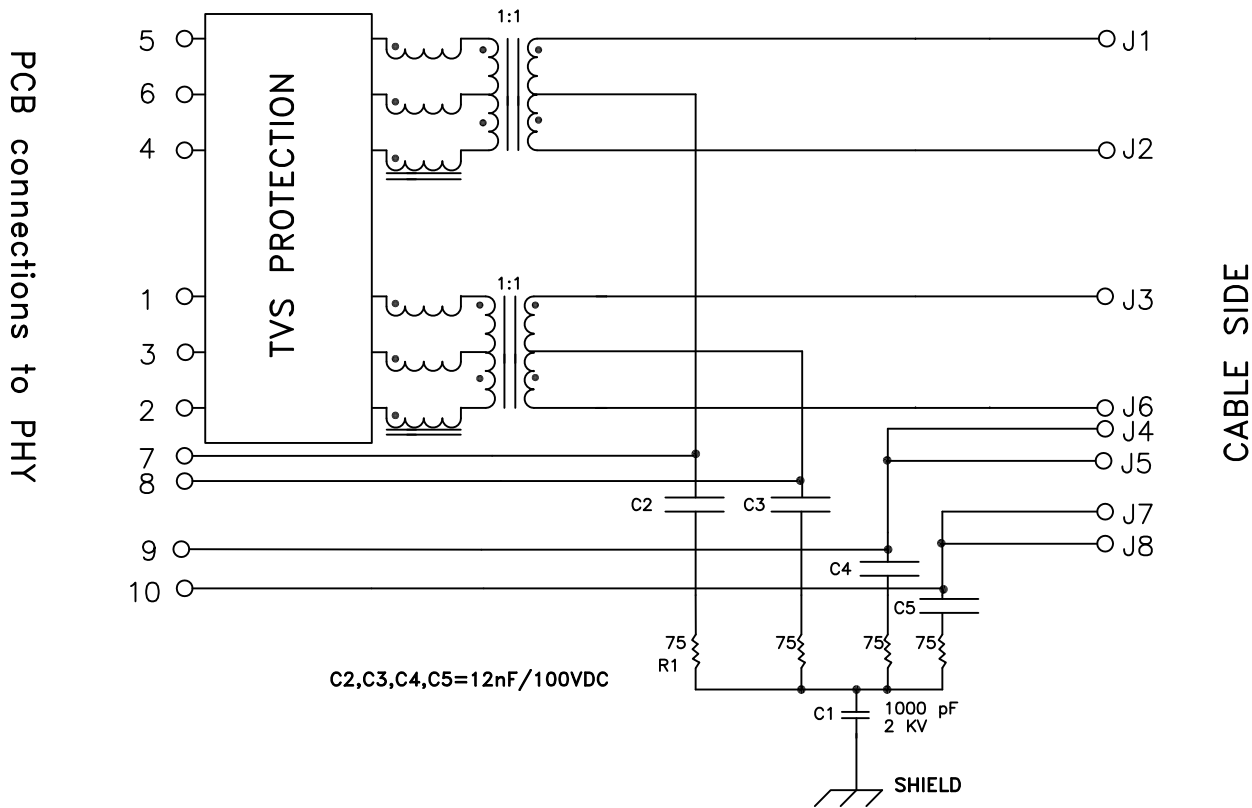


Schematic:



Electrical Specifications: @25°C

Isolation Voltage: 1500 VAc (Input to Output)

Turns Ratio: TX 1CT:1CT ±3% RX 1CT:1CT ±3%

OCL: 350uH Minimum @100KHz 100mV 24mADC

Insertion Loss: -1.0dB TYP @0.1-100 MHz

Insertion Loss: -1.70 dB Max @100-125 MHz

Return Loss: 1-30MHz	40MHz	50MHz	60-80MHz
-16.0dB(Typ)	14.0dB(Typ)	13.0dB(Typ)	12.0dB(Typ)

Cross Talk: 0.1-100MHz 27.0 dB Min

Common Mode Rejection: 0.1-100MHz 30.0 dB Min

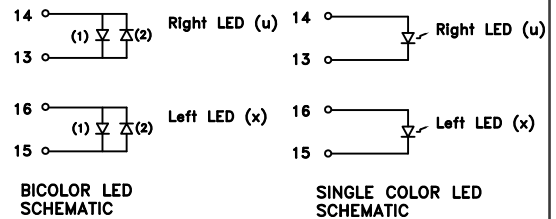
DC Current: 720mA

Q: 5 Min @100KHz 0.1V

Notes:

- Solderability: Leads shall meet MIL-STD-202G, Method 208H for solderability.
- Flammability: UL94V-0
- ASTM oxygen index: > 28%
- UL Recognized Component: File Number E165866
- Operating Temperature Range: All listed parameters are to be within tolerance from 0°C to +70°C
- Storage Temperature Range: -55°C to +125°C
- Aqueous wash compatible
- Electrical and mechanical specifications 100% tested
- RoHS Compliant Component
- Designed to meet GR1089 Intra-Building Lightning Standard

DOC. REV: A/1



Complete the Combo P/N as follows:

Replace 'x' & 'u' in the part number with one of the LED color letters:
 Y=Yellow 'x' = Left LED Color
 G=Green 'u' = Right LED Color
 A=Amber
 R=Red
 C=Green(1)/Amber(2) Bicolor
 D=Amber(1)/Green(2) Bicolor
 M=Green(1)/Yellow(2) Bicolor
 N=Yellow(1)/Green(2) Bicolor
 P=Red(1)/Green(2) Bicolor
 Q=Green(1)/Red(2) Bicolor
 E=Red(1)/Yellow(2) Bicolor
 F=Yellow(1)/Red(2) Bicolor
 H=Amber(1)/Yellow(2) Bicolor
 J=Green(1)/Green(2) Bicolor

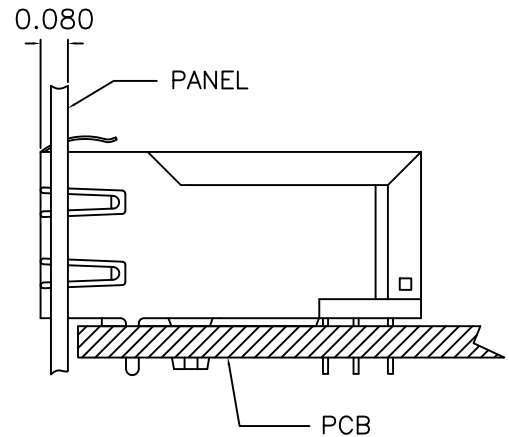
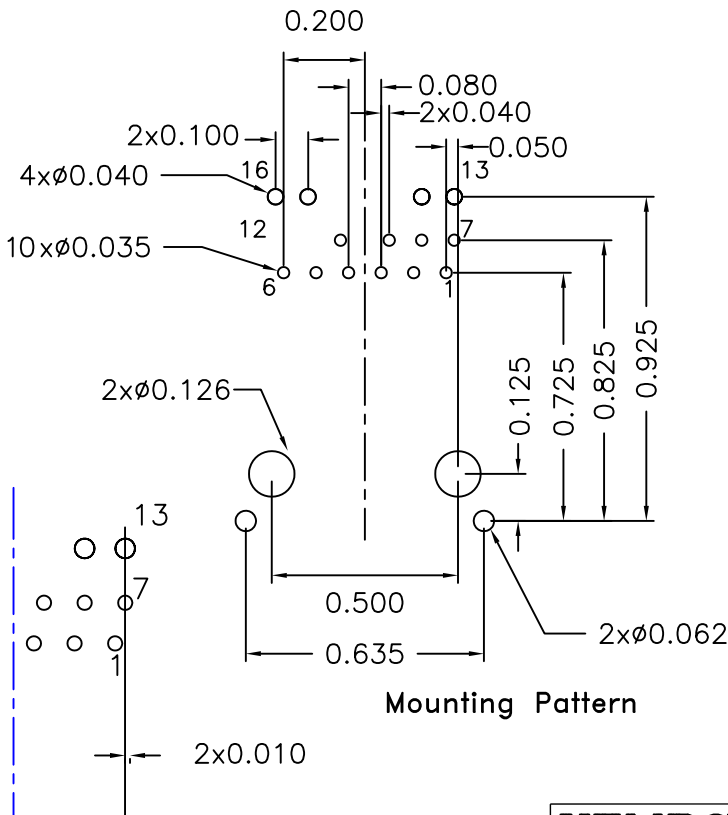
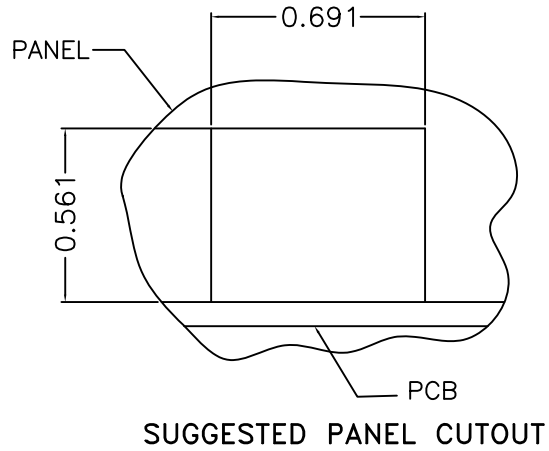
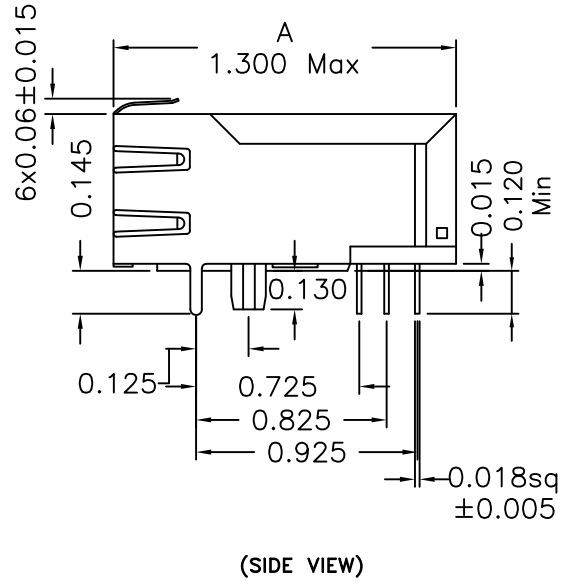
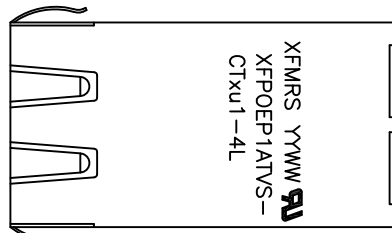
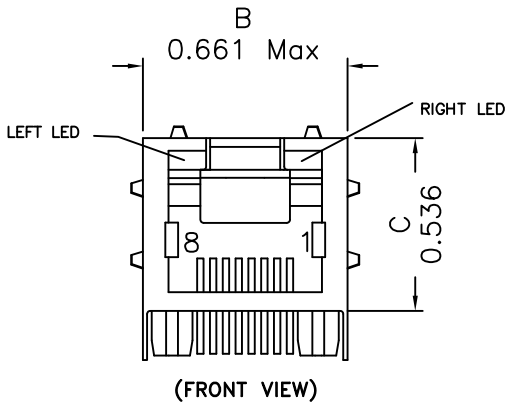
Single Color LED: Bi-Color LED:

XFMRs Inc www.XFMRs.com	Title: SINGLE PORT POE+ COMBO		
	UNLESS OTHERWISE SPECIFIED		P/N: XFPOEP1ATVS-CTxu1-4L
TOLERANCES: .xxx ±0.010	DWN.	Yuan	Nov-13-13
Dimensions in Inch	CHK.	YK Liao	Nov-13-13
SHEET 1 OF 2	APP.	DDC	Nov-13-13

PROPRIETARY:

Document is the property of XFMRs Group & is not allowed to be duplicated without authorization.

Mechanical Dimensions:



DOC REV: A/1

XFMRS Inc
www.XFMRS.com

Title: Mechanical Dimensions
For "1.30" INCH TAB UP RJ45 COMBO

UNLESS OTHERWISE SPECIFIED
TOLERANCES:
.xxx ±0.010
Dimensions in Inch

P/N: XFP0EP1ATVS-CTXu1-4L

REV. A

DWN.

Yuan

Nov-13-13

CHK.

YK Liao

Nov-13-13

APP.

DDC

Nov-13-13

SHEET 2 OF 2

PROPRIETARY:

Document is the property of XFMRS Group & is not allowed to be duplicated without authorization.