

PRODUCT NUMBER

75869-YXXLF

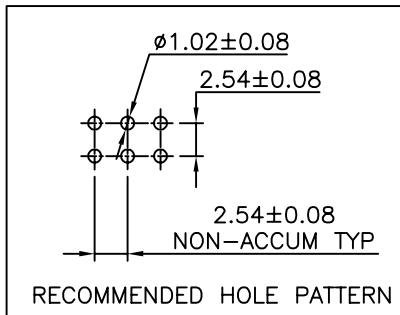
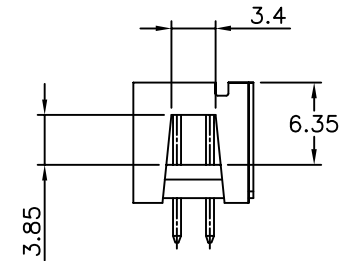
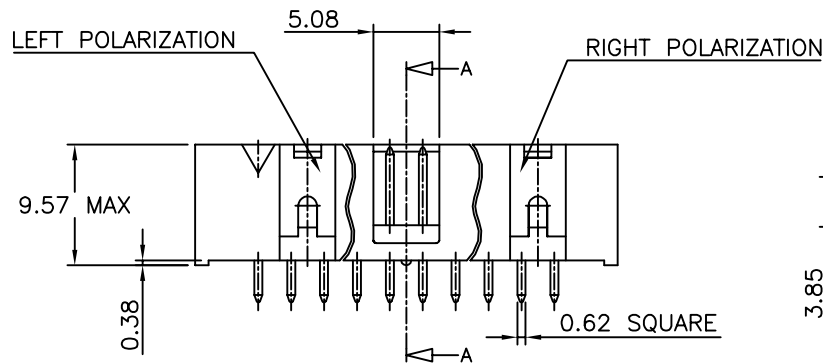
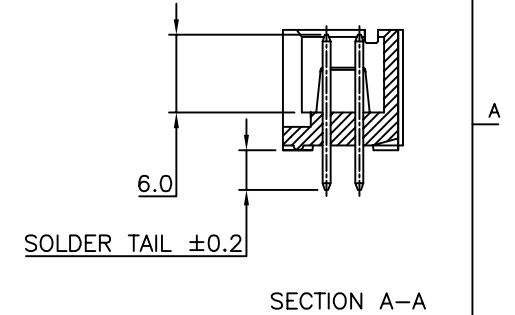
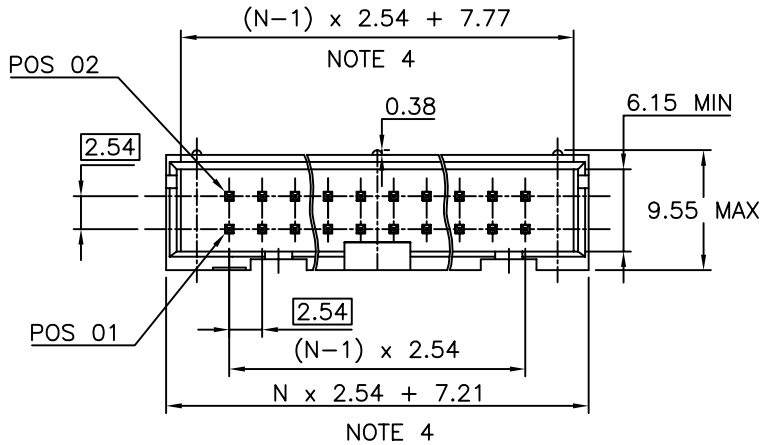
WHEN REQUIRED, ADD SUFFIX LETTER "LF" INDICATES THE PRODUCT IS RoHS COMPATIBLE, SEE NOTE 5

PIN STYLE, SEE SHEET 2 & 3.

PLATING SEE SHEET 2 & 3.

NOTES:

- 1 - HOUSING MAT'L : GLASS FILLED THERMOPLASTIC. UL94V-0 COLOR: BLUE
- 2 - PIN MATERIAL : PHOSPHOR BRONZE
- 3 - PRODUCT PACKAGED IN TUBES.
- 4 - TO DETERMINE DIMENSIONS :
N = NUMBER OF POSITIONS PER ROW
EXAMPLE : 8 POS N x 2.54 = 20.32mm
- 5 - RoHS COMPATIBLE PRODUCT SPECIFICATIONS
 - a - PLATING:
 - "LF" MEANS THE PRODUCT IS LEAD-FREE, 2µm MINIMUM MATTE TIN OVER 1.27µm MINIMUM NICKEL UNDERPLATE.
 - b - MANUFACTURING PROCESS COMPATIBILITY
 - THE HOUSING WILL WITHSTAND EXPOSURE TO 260°C ±5°C SOLDER BATH TEMPERATURE FOR 5 SECONDS IN A WAVE SOLDER APPLICATION WITH A 1.6mm MIN THICK CIRCUIT BOARD.
 - c - LABELLING:
 - MEETS PACKAGING SPECS AS PER GS-14-920
 - d - LEGAL STATEMENT: SEE GS-22-008



mat'l. code SEE NOTES				tolerances unless otherwise specified			CUSTOMER COPY	FCI ELECTRONICS www.fciconnect.com			
ltr	ecn no	dr	date	linear	.x ±0.3		projection	title SHR.LP.HEADER STR DR TMT			
AU	F00105	LMU	00.01.18		.xx ±0.13						
AV	F10120	DLE	01.01.24		.xxx ±0.05						
AW	F10715	JCO	01.11.30	angles			mm	product family QUICKIE size dwg no			
AX	F20138	LMU	02.02.07	dr	D.LE	01.01.24				code 213	
AY	F03080	LMU	03.04.04	eng	JM.C	01.01.24					
BA	F04-0167	JCO	04.04.05	chr	JF.N	01.01.24	scale 2.5:1	A3 75869			
BB	F04-0389	JCO	04.09.16	app	JM.C	01.01.24				sheet 1 of 3	
sheet	revision	BB	AY	B							
index	sheet	1	2	3							

This data is preliminary. Reproduction or communication in any form is not permitted without written authority from the Property of FCI Electronics S.A. Date of reproduction: FCI Electronics S.A.

This data is preliminary. Reproduction or communication in any form is not permitted without written authority from the Property of FCI Electronics S.A. Date of reproduction: FCI Electronics S.A.

CORE RANGE

CATALOGUE RANGE

PIN STYLE	NUMBER OF POSITIONS	SOLDER TAIL REF	LEFT POLARIZATION	RIGHT POLARIZATION
30	2 x 2	3.05	NO	NO
31	2 x 3	3.05	NO	NO
32	2 x 4	3.05	NO	NO
01	2 x 5	3.05	NO	YES
02	2 x 7	3.05	NO	YES
03	2 x 8	3.05	YES	YES
04	2 x 10	3.05	YES	YES
05	2 x 13	3.05	YES	YES
33	2 x 15	3.05	YES	YES
06	2 x 17	3.05	YES	YES
07	2 x 20	3.05	YES	YES
08	2 x 25	3.05	YES	YES
09	2 x 30	3.05	YES	YES
10	2 x 32	3.05	YES	YES

PIN STYLE	NUMBER OF POSITIONS	SOLDER TAIL REF	LEFT POLARIZATION	RIGHT POLARIZATION
30	2 x 2	3.05	NO	NO
31	2 x 3	3.05	NO	NO
32	2 x 4	3.05	NO	NO
01	2 x 5	3.05	NO	YES
02	2 x 7	3.05	NO	YES
03	2 x 8	3.05	YES	YES
04	2 x 10	3.05	YES	YES
05	2 x 13	3.05	YES	YES
33	2 x 15	3.05	YES	YES
06	2 x 17	3.05	YES	YES
07	2 x 20	3.05	YES	YES
08	2 x 25	3.05	YES	YES
09	2 x 30	3.05	YES	YES
10	2 x 32	3.05	YES	YES

PLATING :

- 1 = 0.76µm Au ON CONTACT AREA, 3.81µm SnPb ON TAILS OVER 1.27µm Ni MIN.
- WHEN SUFFIX LETTER "LF" IS REQUIRED, 2µm MIN MATTE TIN OVER 1.27µm MIN Ni IS PROVIDED INSTEAD OF TIN-LEAD.

PLATING :

- 2 = 3.81µm SnPb OVER 1.27µm Ni MIN
- 3 = 0.38µm GOLD ON CONTACT AREA 3.81µm SnPb ON TAILS OVER 1.27µm Ni MIN
- WHEN SUFFIX LETTER "LF" IS REQUIRED, 2µm MIN MATTE TIN OVER 1.27µm MIN Ni IS PROVIDED INSTEAD OF TIN-LEAD

Tous droits réservés. Toute réimpression ou communication sans autorisation écrite de FCI Electronics S.A. est formellement interdite.

All rights reserved. Reproduction or use in any form without written authority from FCI Electronics S.A. is strictly prohibited.



ELECTRONICS
www.fciconnect.com

mat'l. code		tolerances unless otherwise specified		CUSTOMER COPY			
ltr	ecn no	dr	date	linear	projection	title	
AU	F00105	LMU	00.01.18			SHR.LP.HEADER	
AV	F10120	DLE	01.01.24			STR DR TMT	
AW	F10715	JCO	01.11.30	angles		product family QUICKIE	
AX	F20138	LMU	02.02.07	dr	D.LE	01.01.24	code
AY	F04-0389	JCO	04.12.22	eng	JM.C	01.01.24	213
				chr	JF.N	01.01.24	sheet
				app	JM.C	01.01.24	2 of -
sheet index	revision sheet						

APPLICATION SPECIFIC

PIN STYLE	NUMBER OF POSITIONS	SOLDER TAIL REF	PIN MISSING	LEFT POLARIZATION	RIGHT POLARIZATION
44	2x03	3.05	PIN 2	NO	NO
40	2x03	3.05	PIN 6	NO	NO
51	2x03	7.60		NO	NO
41	2x04	3.05	PIN 1	NO	NO
55	2x04	3.05	PIN 8	NO	NO
59	2x05	3.05	PIN 1,2,9,10	NO	YES
37	2x07	3.05	PIN 1	NO	YES
13	2x07	3.05	PIN 3	NO	YES
14	2x07	3.05	PIN 5	NO	YES
46	2x07	3.05	PIN 6	NO	YES
12	2x07	3.05	PIN 7	NO	YES
57	2x07	3.05	PIN 12	NO	YES
11	2x07	3.05	PIN 13	NO	YES
56	2x07	3.05	PIN 14	NO	YES
43	2x08	3.05	PIN 6 & 7	YES	YES
38	2x10	3.05	PIN 2	YES	YES
34	2x10	3.05	PIN 15	YES	YES
58	2x10	3.05	PIN 18	YES	YES
35	2x13	3.05	PIN 26	YES	YES
25	2x13	7.60		YES	YES
54	2x15	7.60		YES	YES
19	2x15	4.1		YES	YES
17	2x17	3.05	PIN 3	YES	YES
39	2x17	3.05	PIN 5	YES	YES
26	2x17	7.60		YES	YES
15	2x20	3.05	PIN 8	YES	YES
16	2x20	3.05	PIN 17	YES	YES
18	2x20	3.05	PIN 20	YES	YES
36	2x20	3.05	PIN 37	YES	YES
45	2x20	3.05	PIN 25,27,28	YES	YES
27	2x20	7.60		YES	YES
42	2x25	3.05	PIN 25	YES	YES
28	2x25	7.60		YES	YES

PLATING :

- 1 = 0.76µm Au ON CONTACT AREA, 3.81µm SnPb ON TAILS OVER 1.27µm Ni MIN.
- 2 = 3.81µm SnPb OVER 1.27µm Ni MIN
- 3 = 0.38µm GOLD ON CONTACT AREA 3.81µm SnPb ON TAILS OVER 1.27µm Ni MIN
- WHEN SUFFIX LETTER "LF" IS REQUIRED, 2µm MIN MATTE TIN OVER 1.27µm Ni IS PROVIDED INSTEAD OF TIN-LEAD.

Tous droits réservés. Toute réimpression ou communication sans autorisation écrite de FCI Electronics S.A. est formellement interdite.

All rights reserved. Reproduction or reuse in any form without written authority from the Property of FCI Electronics S.A.



mat'l. code		tolerances unless otherwise specified		CUSTOMER COPY		ELECTRONICS www.fciconnect.com		
ltr	ecn no	dr	date	linear	projection	title		
A	F20138	LMU	02.02.07			SHR.LP.HEADER		
B	F04-0389	JCO	04.12.22	angles		STR DR TMT		
				dr		MULIN.L	02.01.29	product family QUICKIE
				eng	COMPAGNON.J	02.01.29	size	213
				chr	NOTTEAU.JF	02.01.29	dwg no	sheet
				app	J.M.C	02.01.29	75869	3 of -
sheet index	revision sheet							