

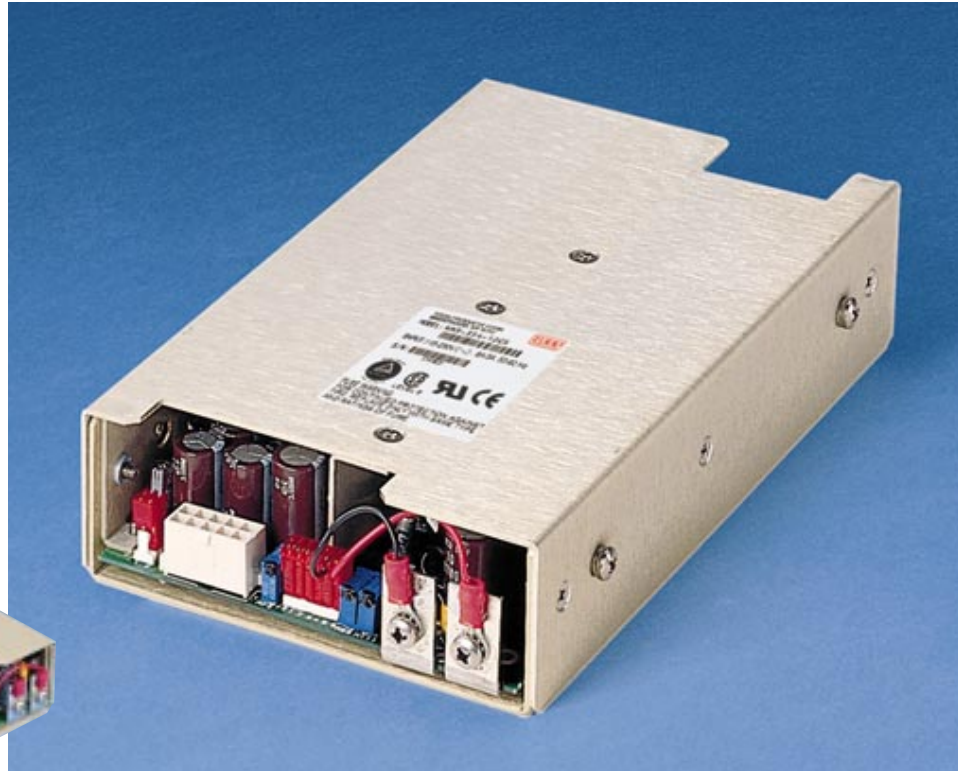
## NMX-350



Option V



Option E



### Featuring:

- Forced current sharing for N +1 redundancy
- Universal AC input
- 0.99 typical power factor
- Dual converter design eliminates interaction between logic and auxiliary outputs
- Low ripple and noise on all outputs
- DC power good and AC power fail signals
- True remote inhibit
- Monotonic turn-on and turn-off

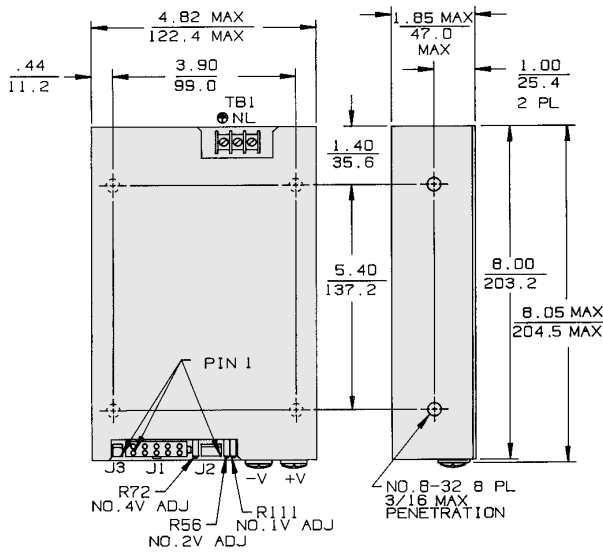
### STANDARD NMX SERIES

MODEL	PWR	OUTPUT #1	OUTPUT #2	OUTPUT #3	OUTPUT #4
NMX-353-0512	350	+5V @ 50A	+12V @ 8/12A pk	-12V @ 4A	
NMX-354-1205	350	+5V @ 50A	+12V @ 8/12A pk	-12V @ 4A	5.2V @ 5A
NMX-354-1212	350	+5V @ 50A	+12V @ 8/12A pk	-12V @ 4A	12V @ 5A
NMX-354-1224	350	+5V @ 50A	+12V @ 8/12A pk	-12V @ 4A	24V @ 3A
NMX-354-1512	350	+5V @ 50A	+15V @ 4A	-15V @ 4A	12V @ 5A
NMX-354-1524	350	+5V @ 50A	+15V @ 4A	-15V @ 4A	24V @ 3A

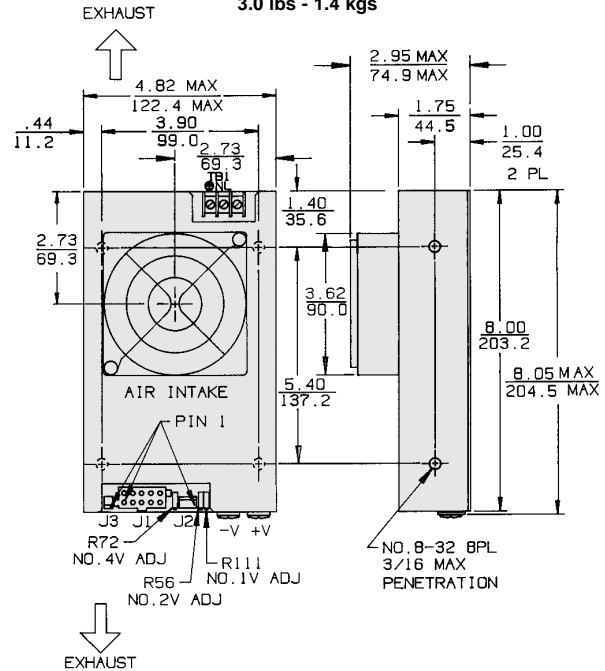
### The smallest, most capable 350 W power supply of its kind.

Designed for applications using the latest logic families, the outputs' turn-on and turn-off are monotonic. Turn-on transition is less than 200 ms. The highly effective N +1 configuration lets the main output from the NMX power supply work in conjunction with the main output of any similar power supply of the same voltage. This provides expanded capability, great flexibility in OEM design, and fail-safe redundancy.

**NMX-350**  
2.6 lbs - 1.2 kgs



**NMX-350 with Option F**  
3.0 lbs - 1.4 kgs



**OPTIONS:**

- Option "E", Euro Style Connector:** Provides input and auxiliary output connections accepting 14 to 24 AWG wire.
  - Option "F", Fan/Cover Assembly:** Cover with integral ball-bearing fan provides proper cooling to achieve full ratings at 50°C ambient temperature. 1.85" dimension increases to 3.08".
  - Option "V", Fan/Cover Assembly:** Low profile, end venting cover with integral ball-bearing fan. 1.85" dimension increases to 2.50", and 8.05" dimension increases to 9.40".
- Consult factory for other available options.

**AC INPUT (90-264 VAC Continuous Range)**

FUNCTION	115 VAC	230 VAC	CONNECTOR
TB1- (L)	Line	Line 1	Barrier strip
TB1- (N)	Neutral	Line 2	#6-32 screws
TB1- (⊕)	Safety Ground	Safety Ground	0.325" Centers

**DC OUTPUT**

FUNCTION	LOCATION	NOTES	CONNECTOR
Output #1	Terminal marked +V	Main output	Bus bars #8-32 screws
	Terminal marked -V	Rtn (common)	
Output #2	J1-1, 6	Rtn (common)	AMP #770743-1 mates with connector 770580-1 with sockets #171639-1 (AWG #20 to #16)
	J1-2, 7		
Output #3	J1-3, 8	Rtn (common)	
	J1-2, 7		
Output #4	J1-4, 9	(+) Floating Output	
	J1-5, 10	(-) Floating Output	

**STATUS AND CONTROL**

FUNCTION	LOCATION	NOTES	CONNECTOR
Remote Sense	J2-1	Output #1 Sense	AMP MTA type #640456-6 pin header (locking)
	J2-2	Output #1 Sense Rtn	
DC Power Good	J2-3	Reference to Common when #1 Sense Rtn is terminated	
Inhibit	J2-5		
Current Share	J2-6		
AC Power Fail	J2-4	Reference to Common	
Aux. Fan Voltage (Not available with "V" or "F" options)	J3-2	+12V @ 0.5A Output	AMP MTA type #640456-2 pin header (locking)
	J3-1	Rtn (Common)	

**SPECIFICATIONS: ALL MODELS**

- INPUT**
- AC Input:** 90-264 Vac continuous range, 47 to 63 Hz. Internally fused for 7 A.
- Power Factor:** 0.99 typical at full load. Meets EN61000-3-2.
- Inrush:** Cold start AC current is less than 30 A at 115 Vac and 60 A at 230 Vac. Limited by thermistor.
- Brownout Protection:** Holds regulation to 85 Vac.
- Holdup Time:** 20 ms minimum after removal of power at full load.
- Efficiency:** 75% typical.
- AC Power Fail:** Provides TTL "0" 5 ms before output voltage goes out of regulation band upon loss of ac power.

- OUTPUT**
- Adjustability:** Outputs #1 and 2 user adjustable ±5% minimum. Output #3 tracks #2; initial accuracy ±4%. Output #4 user adjustable ±5% minimum, or +5% only if voltage is 5.2 V.
- Line & Load Reg:** Outputs #1, 2, and 4 hold ±1% over AC input range and 0 to 100% load change. Output #3 requires 20% minimum load on outputs #2 and 3 to hold ±4%.
- Ripple & Noise:** Less than 1% p-p or 100 mV, whichever is greater.
- Remote Sense (Output #1):** Compensates for 250 mV total line drop. Open sense lead protection. (See Redundancy, below)
- Temperature Coefficient (Outputs #1, 2, and 4):** 0.02% per degree C.
- Stability:** 0.1% over 8 hours after 30 minutes warm-up.
- Transient Response (Outputs #1, 2, and 4):** Output voltage returns to within 1% in less than 500 μs for a 50% load change. Peak transient does not exceed 5%.
- Overload Protection:** All outputs are protected against overload and short circuit. Automatic recovery upon removal of fault.
- Overvoltage Protection (Outputs #1 and 2):** Protects load against power supply induced overvoltage. Trip point is factory set so that output voltage cannot exceed 136% of nominal.
- Peak Output Current:** Dual current ratings define continuous and peak currents. The peak current shown can be delivered for a maximum period of 30 seconds.
- Remote Inhibit:** Contact closure to the negative sense line or a TTL level "0" turns off DC outputs.
- DC Power Good:** Provides a TTL "1" open collector when output #1 is above 4.6 V nominal.
- Redundancy:** External OR-ing diodes and forced current sharing on output #1 provide "N+1" capability. Remote sense (+S) compensates for additional 0.6 V diode voltage drop. When the current sharing terminal is connected between units, current sharing remains within 10% of the unit's full output current rating.
- Reverse Voltage:** Protected against reverse voltage up to supply current rating.

- ENVIRONMENTAL**
- Thermal Protection:** Shuts down power supply if overheated. Automatic recovery.
- Temperature Range:** 0° to 50°C at full ratings.
- Safety Agencies:** Most models are approved to UL1950; CSA 22.2 #234; IEC 950 and TÜV EN60950, Class 1 SELV., CE 72/23/EEC/93/68EEC (low voltage directive)..
- Conducted RFI:** Meets FCC Part 15, Subpart J, Class A; EN55022 Class B; CISPR 22 Class B.
- Output Isolation:** Isolated from ground 50 Vdc.
- Cooling:** 30 CFM required to achieve full ratings.