

IEC Appliance Inlet C6, Screw-on Mounting, Front or Rear Side, Solder, PCB or Quick-connect Terminal



See below:

Approvals and Compliances

Description

- Panel Mount :
Screw-on mounting , Front Side
- 1 Function :
Appliance Inlet , Pin temperature 70 °C Protection class I
- Solder, Quick Connect or PCB Terminal

Characteristics

- Contact pins are turned from solid material

References

We recommend for new applications the type [0724](#)

Weblinks

[pdf datasheet](#), [html-datasheet](#), [General Product Information](#), [Distributor-Stock-Check](#), [Accessories](#), [Detailed request for product](#)

Technical Data

| | |
|---------------------------------|---|
| Ratings IEC | 2.5 A / 250 VAC; 50 Hz |
| Ratings UL/CSA | 2.5 A / 250 VAC; 60 Hz |
| Dielectric Strength | > 4 kVAC between L-N > 2 kVAC between L/N-PE (1 min/50Hz) |
| Allowable Operation Temperature | -25 °C to 70 °C |
| IP-Protection | from front side IP 20 acc. to IEC 60529 |
| Insulation cover | Suitable for appliances with protection class I acc. to IEC 61140 |
| Material: Housing | PA6, black, UL 94V-0 |

| | |
|-------------------------|--|
| appliance inlet/-outlet | C6 acc. to IEC 60320-1 UL 498, CSA C22.2 no. 42 (for cold conditions) pin-temperature 70 °C, 2.5A, Protection Class I |
|-------------------------|--|

Approvals and Compliances

Detailed information on product approvals, code requirements, usage instructions and detailed test conditions can be looked up in [Details about Approvals](#)

Approvals

The approval mark is used by the testing authorities to certify compliance with the safety requirements placed on electronic products.

Approval Reference Type: 2562

| Approval Logo | Certificates | Certification Body | Description |
|---------------|-------------------------------|--------------------|----------------------------------|
| | VDE Approvals | VDE | VDE Certificate Number: 40002273 |
| | UL Approvals | UL | UL File Number: E96454 |
| | CSA Approvals | CSA | CSA Certification Record: 27324 |


Product standards

Product standards that are referenced

| Organization | Design | Standard | Description |
|--------------|-----------------------|------------------|---|
| | Designed according to | IEC 60320-1 | Appliance couplers for household and similar general purposes |
| | Designed according to | UL 498 | Standard for Attachment Plugs and Receptacles |
| | Designed according to | CSA C22.2 no. 42 | General Use Receptacles, Attachment Plugs, and Similar Wiring Devices |





Application standards

Application standards where the product can be used

| Organization | Design | Standard | Description |
|--|--------------------------------|--------------|---|
|  | Designed for applications acc. | IEC/UL 60950 | IEC 60950-1 includes the basic requirements for the safety of information technology equipment. |

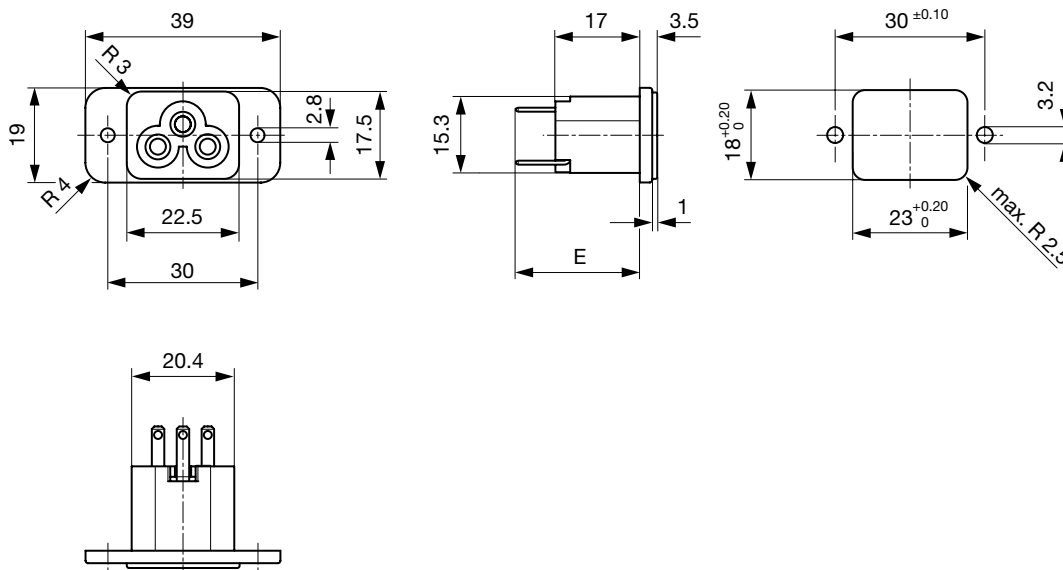
Compliances

The product complies with following Guide Lines

| Identification | Details | Initiator | Description |
|--|--|-------------|---|
|  | CE declaration of conformity | SCHURTER AG | The CE marking declares that the product complies with the applicable requirements laid down in the harmonisation of Community legislation on its affixing in accordance with EU Regulation 765/2008. |
|  | RoHS | SCHURTER AG | EU Directive RoHS 2011/65/EU |
|  | China RoHS | SCHURTER AG | The law SJ / T 11363-2006 (China RoHS) has been in force since 1 March 2007. It is similar to the EU directive RoHS. |
|  | REACH | SCHURTER AG | On 1 June 2007, Regulation (EC) No 1907/2006 on the Registration, Evaluation, Authorization and Restriction of Chemicals 1 (abbreviated as "REACH") entered into force. |

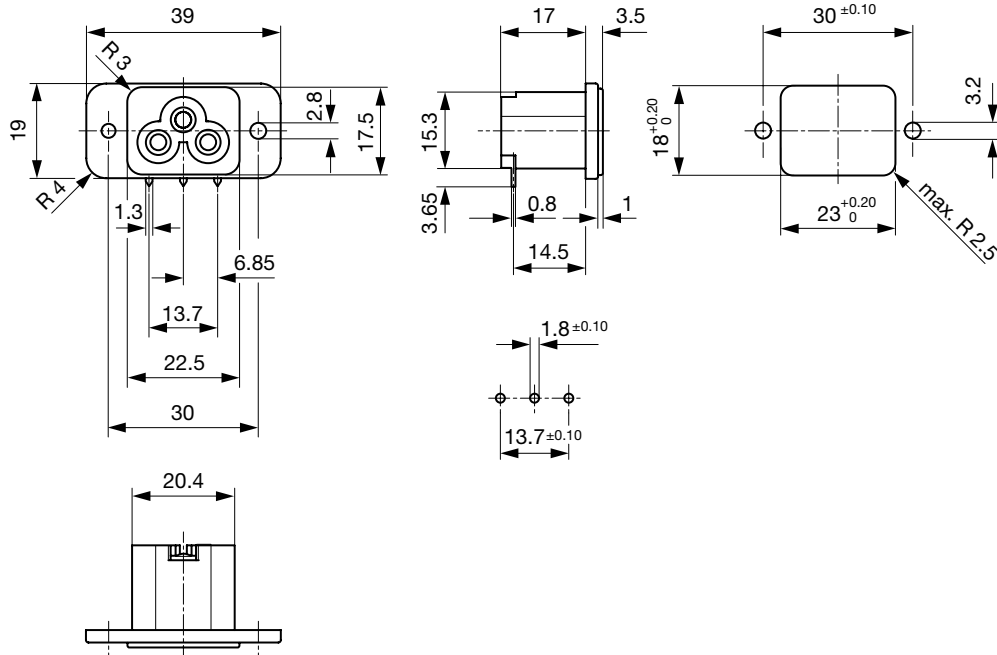
Dimensions [mm]

Solder or quick connect terminals



- E: Solder terminals short: 18.9 mm
- E: Solder terminals long: 22.6 mm
- E: Quick connect terminals 2.8x0.8 mm: 24.9 mm

Solder terminals for PCB



Config. Code

2562 - H - A B C 0- D - E

The characters are placeholders for the correspondingly keys of selections from the key tables.

2562 - **H** - A B C 0- D - E = Type

| Type | Configuration key |
|--------------------|-------------------|
| protection class I | X |

Terminal L

| Terminal L | Configuration key |
|---------------------|-------------------|
| PCB-terminal (long) | C |

2562 - H - **A** B C 0- D - E = Terminals

| Terminal L | Configuration key |
|--|-------------------|
| short solder terminal (L = 4.8 mm) | 2 |
| long solder terminal (L = 8.5 mm) | 3 |
| PCB-terminal standard (additional solder terminal) | 4 |
| Blade terminal (2.8 x 0.8 mm) | 7 |
| PCB-terminal (standard) | A |
| PCB-terminal (short) | B |

2562 - H - A **B** C 0- D - E = Terminals

Terminal N

| Terminal N | Configuration key |
|--|-------------------|
| short solder terminal (L = 4.8 mm) | 2 |
| long solder terminal (L = 8.5 mm) | 3 |
| PCB-terminal standard (additional solder terminal) | 4 |
| Blade terminal (2.8 x 0.8 mm) | 7 |
| PCB-terminal (standard) | A |
| PCB-terminal (short) | B |
| PCB-terminal (long) | C |

Symbols similar as in table A

2562 - H - A B **C** 0- D - E = Terminals

Terminal Ground

| Terminal Ground | Configuration key |
|--|-------------------|
| PCB-terminal standard (additional solder terminal) | 4 |
| Blade terminal (2.8 x 0.8 mm) | 7 |

Symbols similar as in table A

2562 - H - A B C 0- **D** - E = Color

| Color | Configuration key |
|-------|-------------------|
| Black | A |

2562 - H - A B C 0- D - **E** = Style

| Style | Configuration key |
|---------------------------|-------------------|
| flange with through holes | 2 |

All Variants

| Terminals L / N | Terminal Ground | Config. Code | Order Number |
|--|--|----------------|--------------|
| PCB-terminal standard (additional solder terminal) | PCB-terminal standard (additional solder terminal) | 2562--4440-A-2 | 6160.0002 |

The listed variants should be available from stock. Other versions on request www.schurter.com/contact

Availability for all products can be searched real-time: <https://www.schurter.com/en/Stock-Check/Stock-Check-SCHURTER>

Packaging unit 50 Pcs