

**PLEASE CHECK WWW.MOLEX.COM FOR LATEST PART INFORMATION**

**Part Number:** [0593209028](#)  
**Status:** **Active**  
**Overview:** [minihmc](#)  
**Description:** HMC™ Rectangular Industrial Male Terminal, Multi-Module Type, Reel

**Documents:**

[3D Model](#) [RoHS Certificate of Compliance \(PDF\)](#)  
[Drawing \(PDF\)](#)

**General**

Product Family	Crimp Terminals
Series	<a href="#">59320</a>
Crimp Quality Equipment	Yes
Overview	<a href="#">minihmc</a>
Product Name	HMC™

**Physical**

Durability (mating cycles max)	50
Gender	Plug
Material - Metal	Brass
Material - Plating Mating	Gold
Material - Plating Termination	Tin
Packaging Type	Reel
Plating min: Mating (µin)	10
Plating min: Mating (µm)	0.25
Plating min: Termination (µin)	40
Plating min: Termination (µm)	1
Termination Interface: Style	Crimp or Compression
Wire Insulation Diameter	2.20-2.70mm (.087-.106")
Wire Size AWG	16
Wire Size mm²	N/A

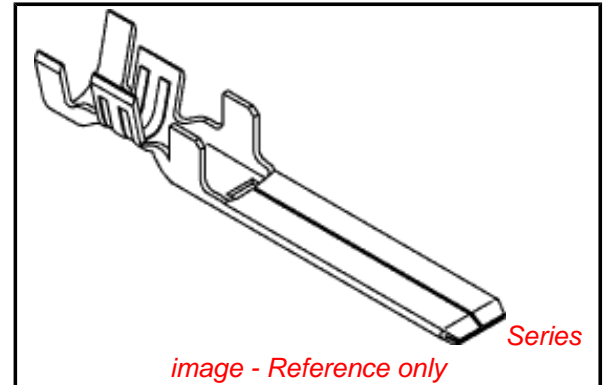
**Electrical**

Current - Maximum per Contact	13A
Voltage - Maximum	250V AC / 300V DC

**Material Info**

**Reference - Drawing Numbers**

Product Specification	RPS-58719-008
Sales Drawing	SD-59320-002



*image - Reference only*

**EU RoHS**

**ELV and RoHS  
Compliant**

**REACH SVHC**

Not Reviewed

**Halogen-Free**

Status

**Not Reviewed**

**China RoHS**



**Need more information on product  
environmental compliance?**

Email [productcompliance@molex.com](mailto:productcompliance@molex.com)  
 For a multiple part number RoHS Certificate of Compliance, [click here](#)

Please visit the [Contact Us](#) section for any non-product compliance questions.

**Search Parts in this Series**

[59320Series](#)

**Use With**

[51194 Housing](#)

**Application Tooling | FAQ**

*Tooling specifications and manuals are found by selecting the products below. Crimp Height Specifications are then contained in the Application Tooling Specification document.*

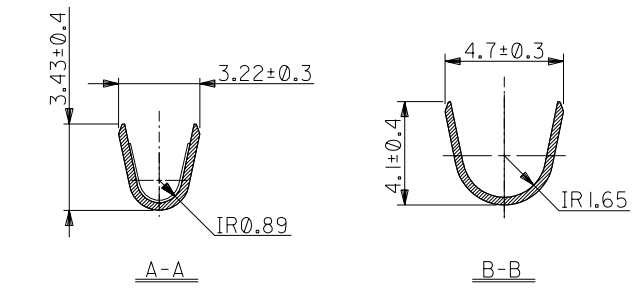
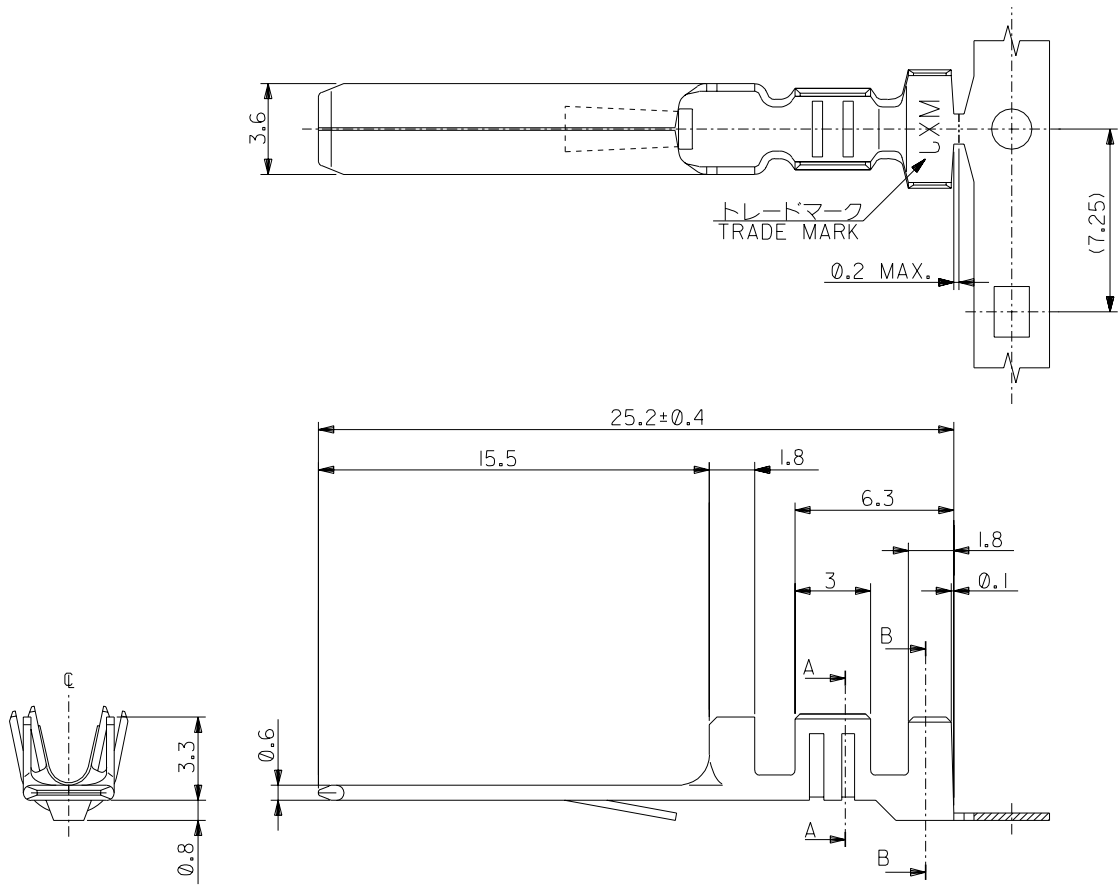
**Japan**

Description	Product #
-------------	-----------

Applicator for M211A Bench Press, 14-18 AWG, for 50637/50638/59319/59320 Crimp Terminal Large Applicator For	<a href="#">0573553000</a>
5-Ton Press	<a href="#">0573553200</a>

**PLEASE CHECK [WWW.MOLEX.COM](http://WWW.MOLEX.COM) FOR LATEST PART INFORMATION**

DWG. NO. SD-59320-002



- 注)  
NOTES:
1. 材質  
MATERIAL  
黄銅 (板厚: 0.3)  
BRASS (THICKNESS: 0.3)
  2. メッキ仕様  
TERMINAL PLATING  
接点部: 金メッキ 0.25 μm MIN.  
CONTACT AREA: GOLD 0.25 MICROMETER MIN.  
圧着部: 錫メッキ 1.0 μm MIN.  
CRIMP AREA: TIN 1.0 MICROMETER MIN.  
下地メッキ: ニッケルメッキ 2.0 μm MIN.  
UNDER PLATE: NICKEL 2.0 MICROMETER MIN.
  3. 適用電線範囲: UL 2517, AWG #16  
APPLICABLE WIRE RANGE: UL2517, AWG #16
  4. 被覆外径: φ2.2~φ2.7  
INSULATION EXTERNAL DIA: φ2.2~φ2.7
  5. 適用ハウジングアッセンブリ: 51194 シリーズ  
APPLICABLE HOUSING ASS'Y: 51194 SERIES
  6. 本製品は59320-\*\*\*90の鉛フリー品である。  
THIS PRODUCT IS LEAD FREE OF 59320-\*\*\*90.

バラ状 LOOSE	59320-9128	59320-***28
連鎖状 CHAIN	59320-9028	
端子形状 TERMINAL CONFIGURATION	MATERIAL No.	MODEL No.

DO NOT SCALE DRAWING

EC NO. DRWN: CHK: APPR:	EC NO. DRWN: CHK: APPR:	EC NO. DRWN: CHK: APPR:	EC NO. DRWN: CHK: APPR:	EC NO. DRWN: CHK: APPR:	RELEASED EC NO. J2004-3411 DRWN: Y.WADA '04/03/29 CHK: M.SASAO '04/03/29 APPR: M.SASAO '04/03/29	MATERIAL 材料	GENERAL TOLERANCES: (UNLESS SPECIFIED) 一般公差	SCALE 1:1	DESIGN UNITS <input checked="" type="checkbox"/> mm <input type="checkbox"/> INCH	THIRD ANGLE PROJECTION	DIMENSIONS: <input type="checkbox"/> mm <input type="checkbox"/> INCH <input checked="" type="checkbox"/> mm ONLY	SHT REV
						FINISH 仕上げ	10 UNDER 未満	±0.2	DRAWN BY & DATE Y.WADA '04/03/29	TITLE: POWER CONN. REC. CRIMP TERMINAL -LEAD FREE-		
						WIRE RANGE 適用電線範囲	10 OVER 30 UNDER 以上 未満	±0.25	CHECKED BY & DATE M.SASAO '04/03/29	MOLEX MOLEX INCORPORATED		
						INS. RANGE 被覆外径	30 OVER 以上	±0.3	APPROVED BY & DATE M.SASAO '04/03/29		MATERIAL NO. SEE CHART	DRAWING NO. SD-59320-002
							ANGLE 角度	±3°	THIS DRAWING CONTAINS INFORMATION THAT IS PROPRIETARY TO MOLEX INCORPORATED AND SHOULD NOT BE USED WITHOUT WRITTEN PERMISSION.			SIZE B