

# TOSHIBA

## SERVICE MANUAL

LCD Color Television

**42AV554D**

Ver. 2.02

This model is classified as a green product (\*1), as indicated by the underlined serial number.

This Service Manual describes replacement parts for the green product. When repairing this green product, use the part(s) described in this manual and lead-free solder (\*2).

For (\*1) and (\*2), refer to **GREEN PRODUCT PROCUREMENT** and **LEAD-FREE SOLDER**.

© TOSHIBA CORPORATION

## **IMPORTANT NOTICE**

**WARNING:**

You are requested that you shall not modify or alter the information or data provided herein without prior written consent by Toshiba. Toshiba shall not be liable to anybody for any damages, losses, expenses or costs, if any, incurred in connection with or as a result of such modification or alteration.

**THE INFORMATION OR DATA HEREIN SHALL BE PROVIDED "AS IS" WITHOUT ANY WARRANTY OF ANY KIND, EITHER EXPRESS OR IMPLIED WARRANTY OF MERCHANTABILITY AND FITNESS FOR A PARTICULAR PURPOSE.**

Toshiba shall not be liable for any damages, losses, expenses or costs, if any, incurred in connection with or as a result of use of any information or data provided herein.

# IMPORTANT NOTICE

---

## User's Guide

---

### Contents:

[Install Autodesk DWF Viewer](#)

[Internet Explorer Settings](#)

[Operating Environment](#)

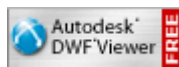
[Functions Provided on Each Drawing Page](#)

[Using with Network](#)

### Install Autodesk DWF Viewer

---

**Autodesk DWF Viewer** is necessary to view drawings and to activate the functions of this system. Please download and install.



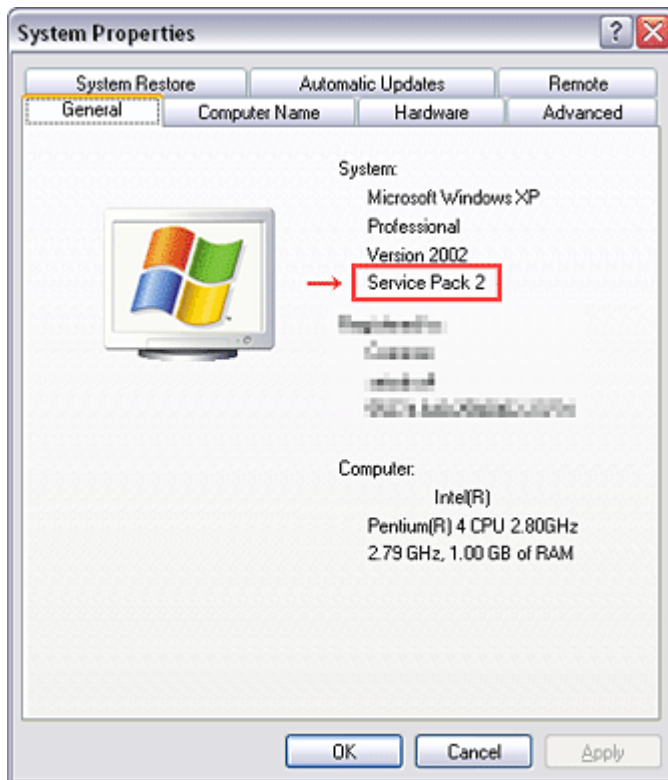
### Internet Explorer Settings

---

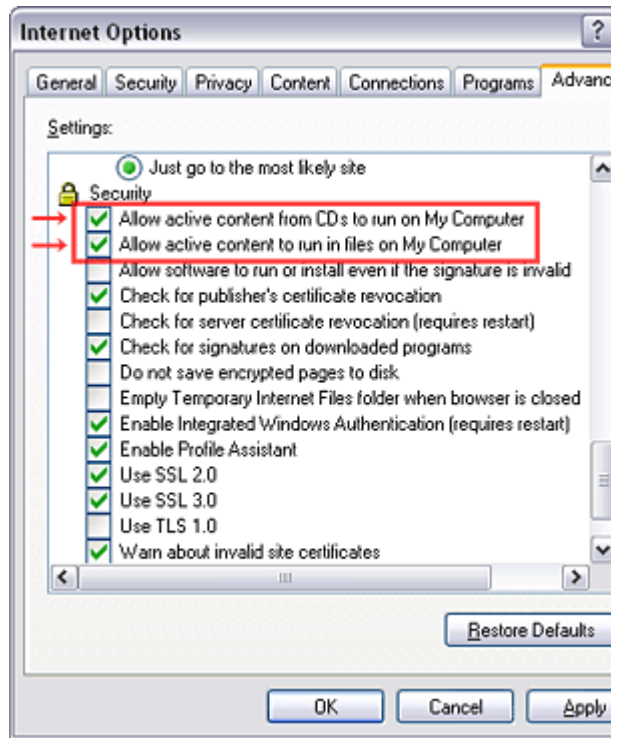
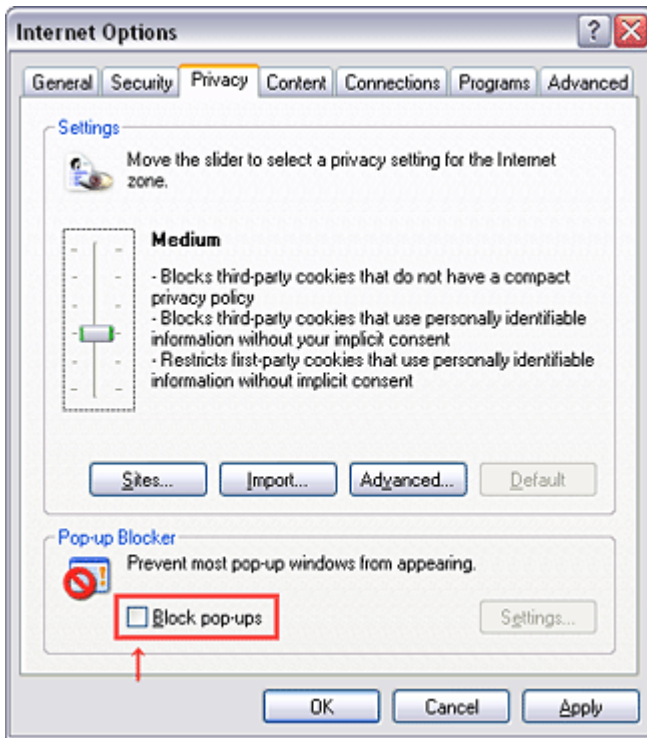
When **Windows XP SP2** or **Windows Vista** is used, ActiveX control and pop-up windows are limited by the enhanced security function and this system may not work. In that case, perform the Internet Explorer setting using the following procedure to restore normal operation.

1. Windows version check

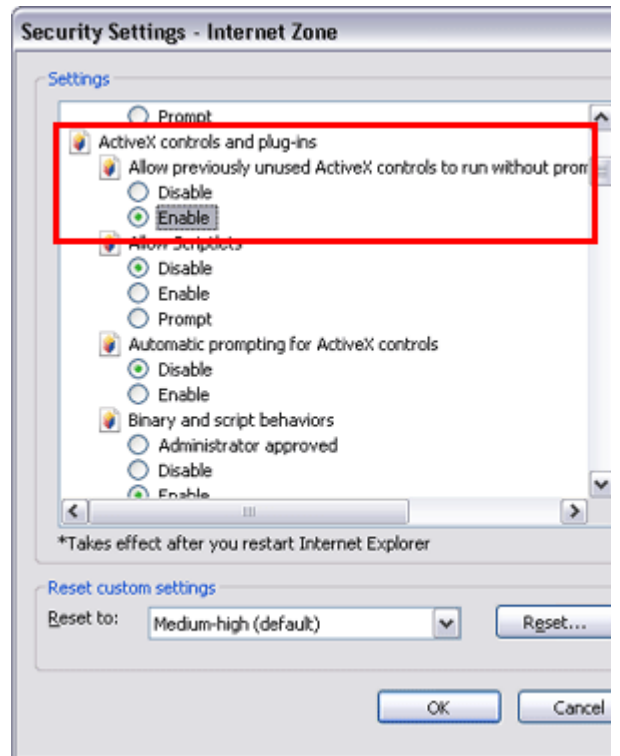
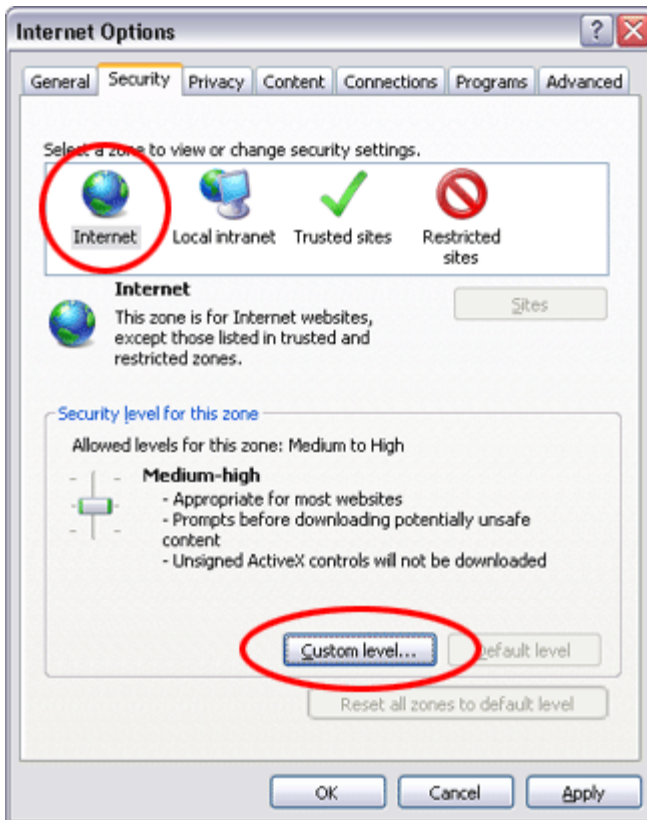
[My Computer (right-click)] - [Properties]



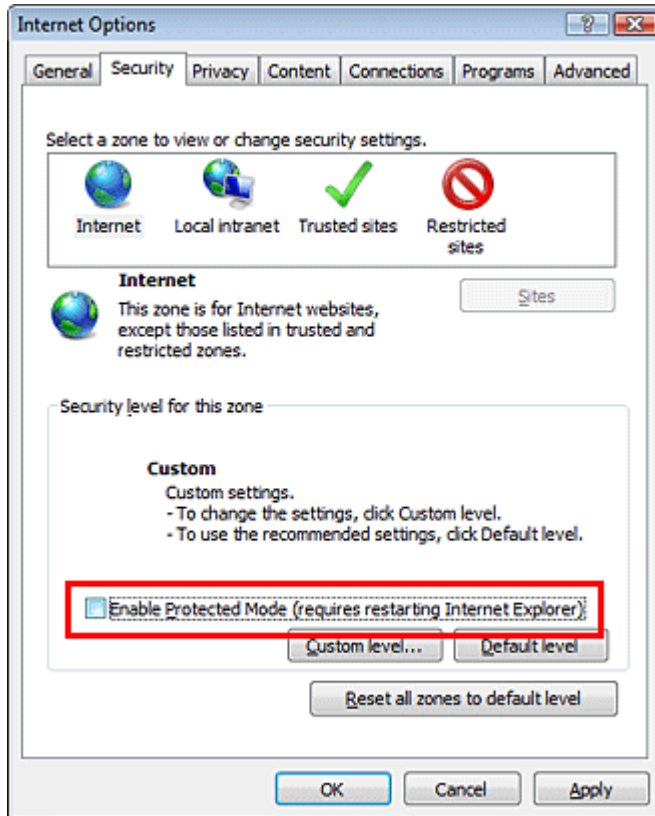
2. Internet Explorer setting  
[Tools] - [Internet Options]



for Internet Explorer 7



for Windows Vista



## Operating Environment

---

- PC : Pentium III or higher recommended
- Monitor : 1024 x 768 or higher resolution recommended
- Mouse : A mouse with wheel recommended
- OS : Microsoft Windows 2000 SP4 / XP / Vista
- Browser : [Microsoft Internet Explorer 6.0 / 7.0](#)
- Drawing viewer : Autodesk DWF Viewer 6.0 / 7.0

\* Use the software following respective license terms and conditions.

## Functions Provided on Each Drawing Page

---

### Parts Information Reference Function

When the character string of a part on the drawing is clicked, its information is popped up at the location. You can get any parts information immediately on the screen without referring to the maintenance parts list. [↗](#)

### Parts Search Function

You can search any part within the displayed drawing or within the whole schematic diagram/board view specifying a location number. The pop-up window displayed by clicking a part's character string allows you to search the part within the applicable schematic diagram, board view or spare parts list. [↗](#)

A circle appears when the part is found, showing the part's location within the drawing. [↗](#)

### Signal Line/Connector Destination Display Function

When a name at the end of a signal line in a divided schematic diagram is clicked, the destination of the signal is searched and the display changes to the destination. Connector destinations can also be searched the same way. [↗](#)

When two or more search results are provided, their drawing names are displayed, allowing you to choose the desired drawing to display. [↗](#)

### Layer Display Changing Function

When any of the color buttons on the toolbar is clicked, it can be selected to display desired layer in its color or not to display each layer. This allows you to see the pattern layer only by setting other layers to "non-display". [↗](#)

### PC Board View Pattern Highlighting Function

When a pattern on a board view is clicked, it is highlighted in green. This allows easy pattern tracing. [↗](#)

### Specified Area Printing Function

The Autodesk DWF Viewer enables to print the displayed drawing region as it is on a printer. It also allows to print a large-sized drawing in multiple pieces (tile printing). [↗](#)

## Using with Network

---

### PRECAUTION

To use ZEUS Service Manual Ver.2 with network, the file-path names written on the source files of each ZEUS Engine Program Ver.2 and ZEUS Service Manual Ver.2 are to be modified.

Perform the procedure described below.

### Preparation

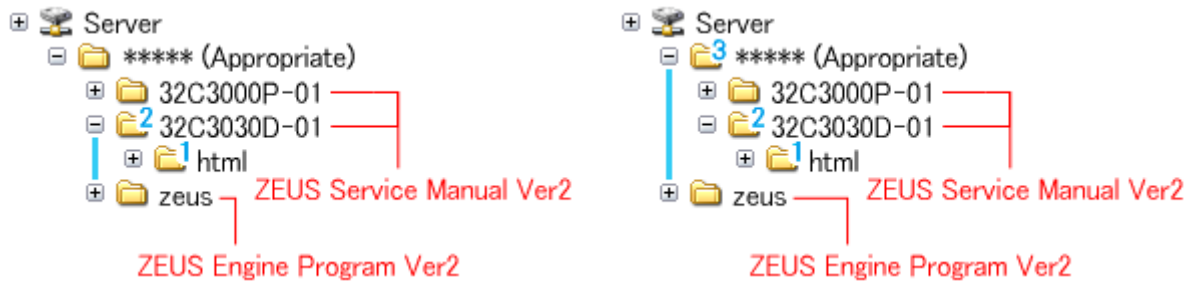
1. Run the program file zuesFPch.exe to install the program file for File-Path to the Local PC.

-> [Download zeusFPch\\_setup.zip \(2.3MB\)](#)

2. Run the program file ZeusSetup\_v2.0.exe to install the ZEUS Engine Program in C:\Program Files\zeus of the local PC. This can be done by running the installer program provided.
3. Create the appropriate folder where the ZEUS Engine Program Ver.2 and the ZEUS Service Manual Ver.2 to be stored in the server.
4. Move the ZEUS Engine Program of step 2 to the folder created at step 3 in the Server.
5. Detach the ZEUS Service Manual Ver.2 to the folder created at step 3 in the Server.
6. Unzip the ZEUS Service Manual Ver.2 within the folder in the Server.

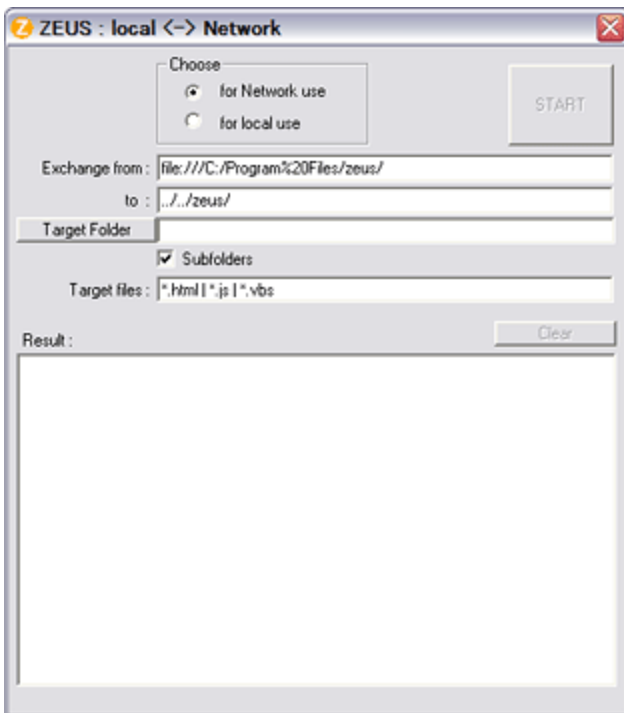
Example of folder





## Procedure of File-Path

The zeusFPch is the exclusive program to exchange the file-path names written in both source files of ZE Manual and ZEUS Engine program into those applicable to the network use.



1. Whenever changing the file-path of both ZEUS Engine Program and ZEUS Service Manual to use network, pay the attention to set the "Exchange to" column that should have a proper relation between ZEUS Engine Program and ZEUS Service Manual with referring the following.

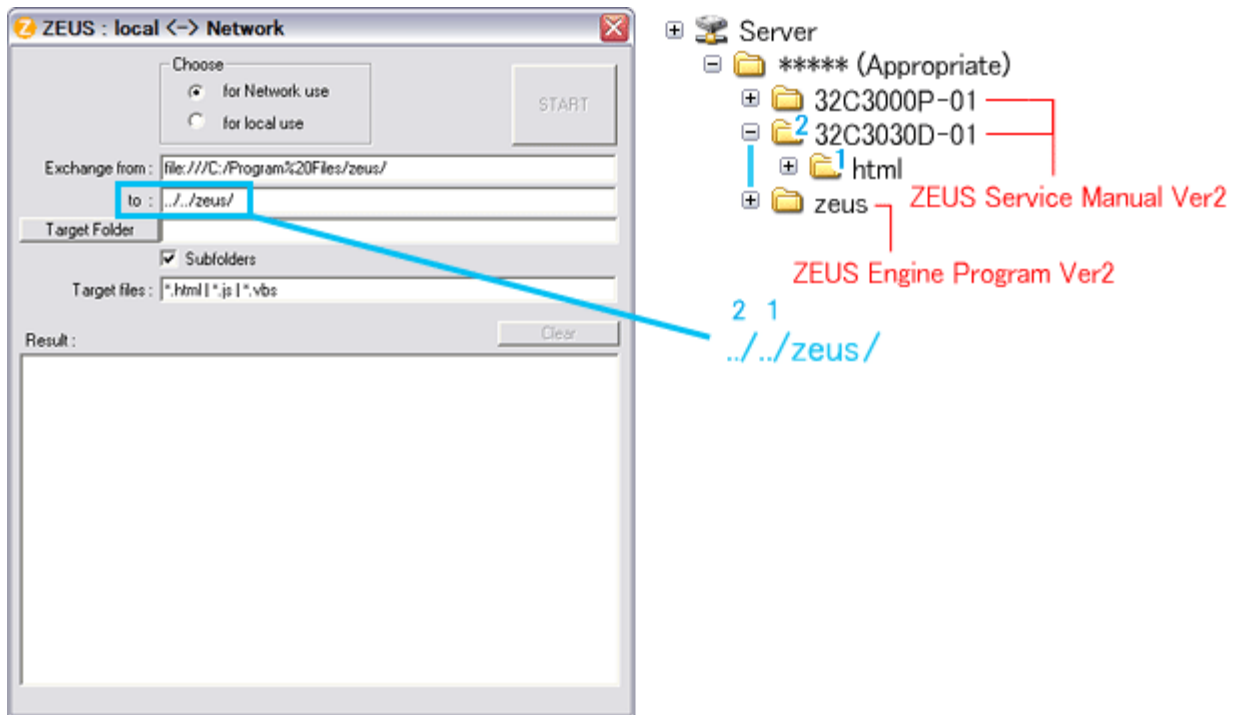
Run the zeusFPch and set "Exchange to" by referring to the examples below.

**Example 1 :**

In the "Exchange to" column shows the relation between ZEUS Service Manual and ZEUS Engine Program.

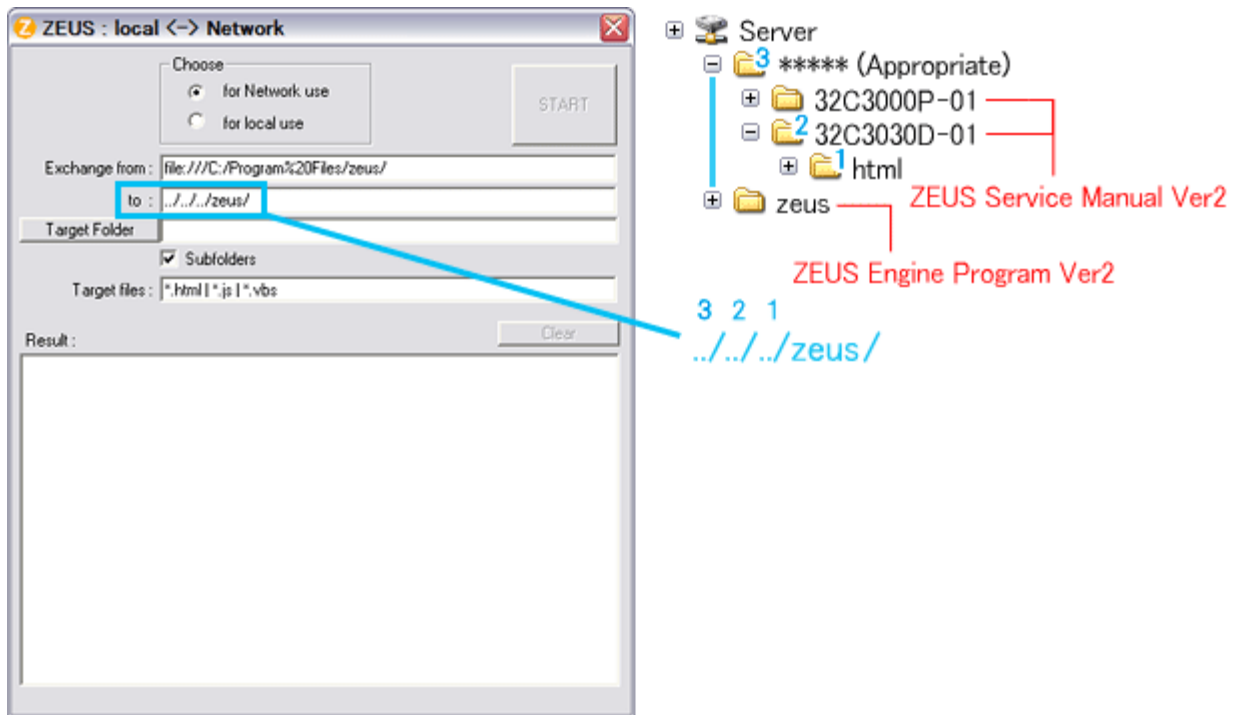
../ counts the relation between.

Thus in this case, it must be **../../zeus/** (2 counts).

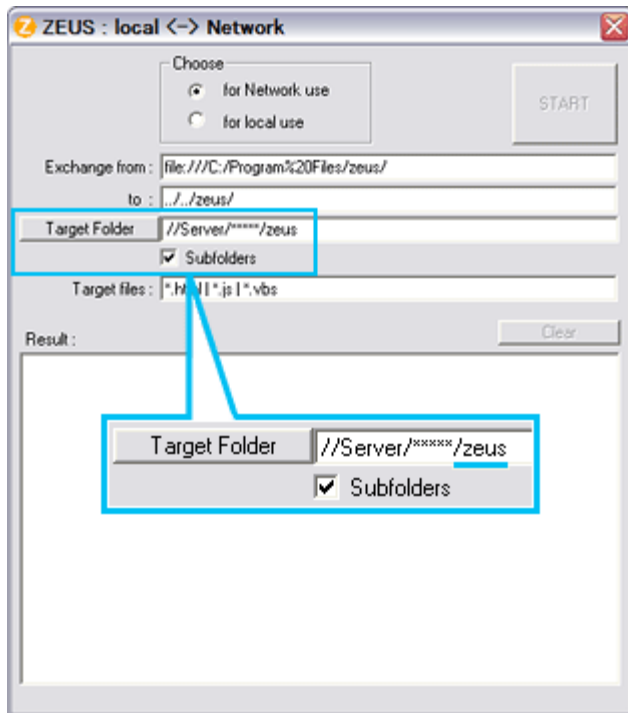


**Example 2 :**

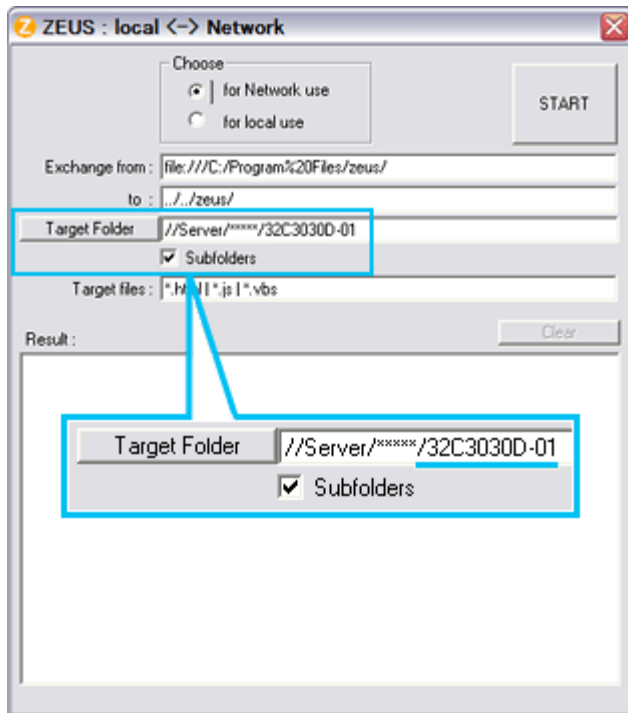
In this case, it must be **../../..zeus/** (3 counts).



2. Run the zeusFPch to change the path in the ZEUS Engine Program Ver.2.
3. Set ZEUS Engine Program in the created folder in the server to the "Target Folder", and then press "START".  
(This procedure is one time only)



4. Run the ZeusFPch to change the path in the ZEUS Service Manual Ver2.
5. Set unzipped ZEUS Service Manual in the created folder in the server to the "Target Folder", and then press "START".  
(This procedure is required whenever placing service manual.)



## Confirmation

Confirm that service manual on the server can be operated normally by client PC.

## Note:

In case of accessing the ZEUS Manual through WEB site, the small pop-up window appears at the left bottom corner on the screen whenever searching the location links. This is not malfunction.

## **IMPORTANT NOTICE**

---

### **A Known Malfunction**

---

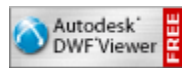
#### **Autodesk® DWF™ Viewer version (Free software provided through WEB)**

---

Use Autodesk DWF Viewer ver. 6.0.

Through WEB, ver. 6.5 has been released but with it, the linking function in this manual may not work properly.

If ver. 6.5 has been installed, uninstall it and reinstall ver. 6.0.




To get ver. 6.0, click the icon, or contact to the nearest Toshiba Service Centre for further assistance.

#### **Freezing windows opened (Cannot close the open windows)**

---

This may happen occasionally.

In case of encountering this, follow the procedure below.

1. Press [Ctrl], [Alt] and [Delete] keys at the same time to engage windows security windows.
2. Then, choose TASK manager and Application tab, and select TOSHIBA SERVICE MANUAL-Microsoft Internet Explorer. 
3. Click TASK-end.

#### **Main Window back forwarded**

---

The real cause has not been found yet but with this condition, nothing disturbs the service manual operation.

Continue to use by operating the windows.

## **Precaution when opening the diagrams**

---

While opening the diagrams, the menu in the left frame changes its color to GRAY. This is an indication that the viewer is processing.

With this condition, the menu indication color may stick to the GRAY color or Windows may freeze if clicking other menu.

To avoid such things, do not operate any others while menu turns GRAY color.

If entering this, re-open the service manual or refresh the left frame.

## **GREEN PRODUCT PROCUREMENT**

---

The EC is actively promoting the WEEE & RoHS Directives that define standards for recycling and reuse of Waste Electrical and Electronic Equipment and for the Restriction of the use of certain Hazardous Substances. From July 1, 2006, the RoHS Directive will prohibit any marketing of new products containing the restricted substances.

Increasing attention is given to issues related to the global environmental. Toshiba Corporation recognizes environmental protection as a key management tasks, and is doing its utmost to enhance and improve the quality and scope of its environmental activities. In line with this, Toshiba proactively promotes Green Procurement, and seeks to purchase and use products, parts and materials that have low environmental impacts.

Green procurement of parts is not only confined to manufacture. The same green parts used in manufacture must also be used as replacement parts.



## **LEAD-FREE SOLDER**

This product is manufactured using lead-free solder as a part of a movement within the consumer products industry at large to be environmentally responsible. Lead-free solder must be used in the servicing and repair of this product.

**WARNING: This product is manufactured using lead free solder.  
DO NOT USE LEAD BASED SOLDER TO REPAIR THIS PRODUCT!**

The melting temperature of lead-free solder is higher than that of leaded solder by 86°F to 104°F (30°C to 40°C). Use of a soldering iron designed for lead-based solders to repair product made with lead-free solder may result in damage to the component and or PCB being soldered. Great care should be made to ensure high-quality soldering when servicing this product especially when soldering large components, through-hole pins, and on PCBs as the level of heat required to melt lead-free solder is high.

## **SAFETY INSTRUCTION**

**WARNING: BEFORE SERVICING THIS CHASSIS, READ THE "SAFETY PRECAUTION" AND "PRODUCT SAFETY NOTICE" INSTRUCTIONS BELOW.**

### **Safety Precaution**

---

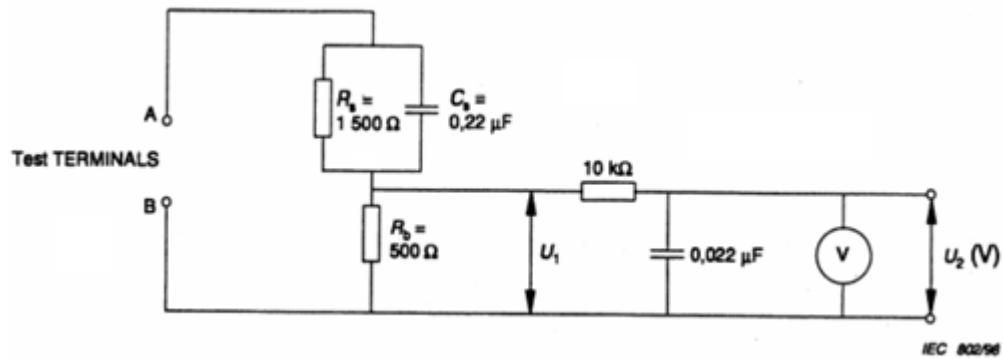
**WARNING: SERVICING SHOULD NOT BE ATTEMPTED BY ANYONE UNFAMILIAR WITH THE NECESSARY PRECAUTIONS ON THIS RECEIVER. THE FOLLOWING ARE THE NECESSARY PRECAUTIONS TO BE OBSERVED BEFORE SERVICING THIS CHASSIS.**

1. An isolation transformer should be connected in the power line between the receiver and the AC line before any service is performed on the receiver.
2. Always disconnect the power plug before any disassembling of the product. It may result in electrical shock.
3. When replacing a chassis in the cabinet, always be certain that all the protective devices are put back in place, such as nonmetallic control knobs, insulating covers, shields, isolation resistor-capacitor network, etc.
4. Always keep tools, components of the product, etc away from the children, These items may cause injury to children.
5. Depending on the model, use an isolation transformer or wear suitable gloves when servicing with the power on, and disconnect the power plug to avoid electrical shock when replacing parts. In some cases, alternating current is also impressed in the chassis, so electrical shock is possible if the chassis is contacted with the power on.

6. Always use the replacement parts specified for the particular model when making repairs. The parts used in products require special safety characteristics such as inflammability, voltage resistance, etc. therefore, use only replacement parts that have these same characteristics. Use only the specified parts when the ⚠ mark is indicated in the circuit diagram or parts list.
7. Parts mounting and routing dressing of wirings should be the same as that used originally. For safety purposes, insulating materials such as isolation tube or tape are sometimes used and printed circuit boards are sometimes mounted floating. Also make sure that wirings is routed and clamped to avoid parts that generate heat and which use high voltage. Always follow the manufactured wiring routes / dressings.
8. Always ensure that all internal wirings are in accordance before re-assembling the external casing after a repairing completed. Do not allow internal wiring to be pinched by cabinets, panels, etc. Any error in reassembly or wiring can result in electrical leakage, flame, etc., and may be hazardous.
9. NEVER remodel the product in any way. Remodeling can result in improper operation, malfunction, or electrical leakage and flame, which may be hazardous.
10. Touch current check. (After completing the work, measure touch current to prevent an electric shock.)
  - Plug the AC cord directly into the AC outlet. Do NOT use an isolation transformer for this check.
  - Connect a measuring network for touch currents between each exposed metallic part on the set and a good earth ground such as a water pipe.

Annex D  
(normative)

Measuring network for TOUCH CURRENTS



Resistance values in ohms ( $\Omega$ ).

V: Voltmeter or oscilloscope  
(r.m.s. or peak reading)

Input resistance :  $\geq 1 \text{ M}\Omega$

Input capacitance :  $\leq 200 \text{ pF}$

Frequency range : 15 Hz to 1 MHz and d.c. respectively

**Note:** Appropriate measures should be taken to obtain the correct value in case of non sinusoidal waveforms.

The measuring instrument is calibrated by comparing the frequency factor of  $U_2$  with the solid line in figure F.2 of IEC 60990 at various frequencies. A calibration curve is constructed showing the deviation of  $U_2$  from the ideal curve as a function of frequency.

TOUCH CURRENT =  $U_2/500$  (peak value).

- The potential at any point (TOUCH CURRENT) expressed as voltage  $U_1$  and  $U_2$  does not exceed the following value:

The part or contact of a TERMINAL is not HAZARDOUS LIVE if:

- The open-circuit voltage should not exceed 35 V (peak) a.c. or 60 V d.c. or, if a) is not met.
- The measurement of the TOUCH CURRENT shall be carried out in accordance with IEC 60990, with the measuring network described in **Annex D** of this standard.

The TOUCH CURRENT expressed as voltages  $U_1$  and  $U_2$ , does not exceed the following values:

- for a.c. :  $U_1 = 35 \text{ V}$  (peak) and  $U_2 = 0.35 \text{ V}$  (peak);

- for d.c. :  $U_1 = 1.0 \text{ V}$

**Note:** The limit values of  $U_2 = 0.35 \text{ V}$  (peak) for a.c. and  $U_1 = 1.0 \text{ V}$  for d.c. correspond to the values 0.7 mA (peak) a.c. and 2.0 mA d.c.

## Product Safety Notice

---

Many electrical and mechanical parts in this chassis have special safety-related characteristics. These characteristics are often passed unnoticed by a visual inspection and the protection afforded by them cannot necessarily be obtained by using replacement components rated for higher voltage, wattage, etc. Replacement parts which have these special safety characteristics are identified in this manual and its supplements; electrical components having such features are identified by the international hazard symbols on the schematic diagram and the parts list.

Before replacing any of these components, read the parts list in this manual carefully. The use of substitute replacement parts which do not have the same safety characteristics as specified in the parts list may create electrical shock, fire, or other hazards.

## SAFETY INSTRUCTION

### Handling the LCD Module

#### Safety Precaution

In the event that the screen is damaged or the liquid crystal (fluid) leaks, do not breathe in or drink this fluid.

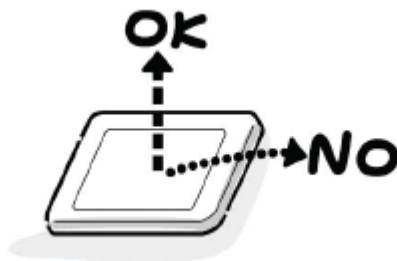
Also, never touch this fluid. Such actions could cause toxicity or skin irritation. If this fluid should enter the mouth, rinse the mouth thoroughly with water. If the fluid should contact the skin or clothing, wipe off with alcohol, etc., and rinse thoroughly with water. If the fluid should enter the eyes, immediately rinse the eyes thoroughly with running water.

#### Precautions for Handling the LCD Module

**CAUTION: The metal edges of the LCD module are sharp, handle it with care.**

The LCD module can easily be damaged during disassembly or reassembly; therefore, always observe the following precautions when handling the module.

1. When attaching the LCD module to the LCD cover, position it appropriately and fasten at the position where the display can be viewed most conveniently.



2. Carefully align the holes at all four corners of the LCD module with the corresponding holes in the LCD cover and fasten with screws. Do not strongly push on the module

because any impact can adversely affect the performance. Also use caution when handling the polarized screen because it can easily be damaged.



3. If the panel surface becomes soiled, wipe with cotton or a soft cloth. If this does not remove the soiling, breathe on the surface and then wipe again.

If the panel surface is extremely soiled, use a CRT cleaner as a cleaner. Wipe off the panel surface by drop the cleaner on the cloth. Do not drop the cleaner on the panel. Pay attention not to scratch the panel surface.



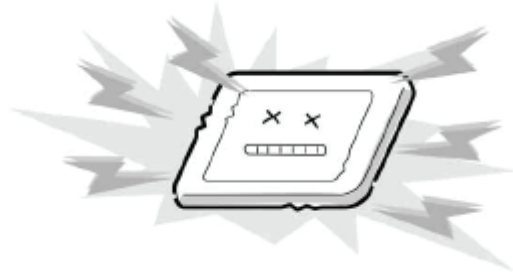
4. Leaving water or other fluids on the panel screen for an extended period of time can result in discoloration or stripes. Immediately remove any type of fluid from the screen.



5. Glass is used in the panel, so do not drop or strike with hard objects. Such actions can damage the panel.



6. CMOS-LSI circuitry is used in the LCD module, so avoid damage due to static electricity. When handling the module, use a wrist ground or anchor ground.



7. Do not expose the LCD module to direct sunlight or strong ultraviolet rays for an extended period of time.

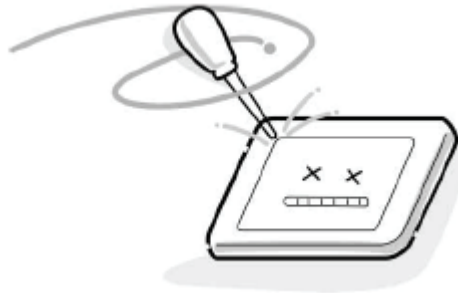


8. Do not store the LCD module below the temperature conditions described in the specifications. Failure to do so could result in freezing of the liquid crystal due to cold air or loss of resilience or other damage.

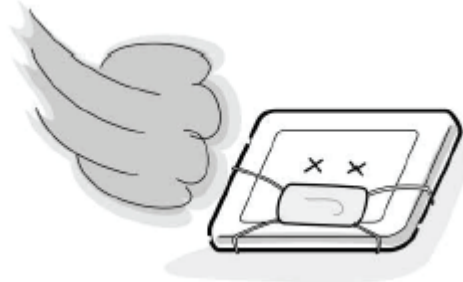




9. Do not disassemble the LCD module. Such actions could result in improper operation.



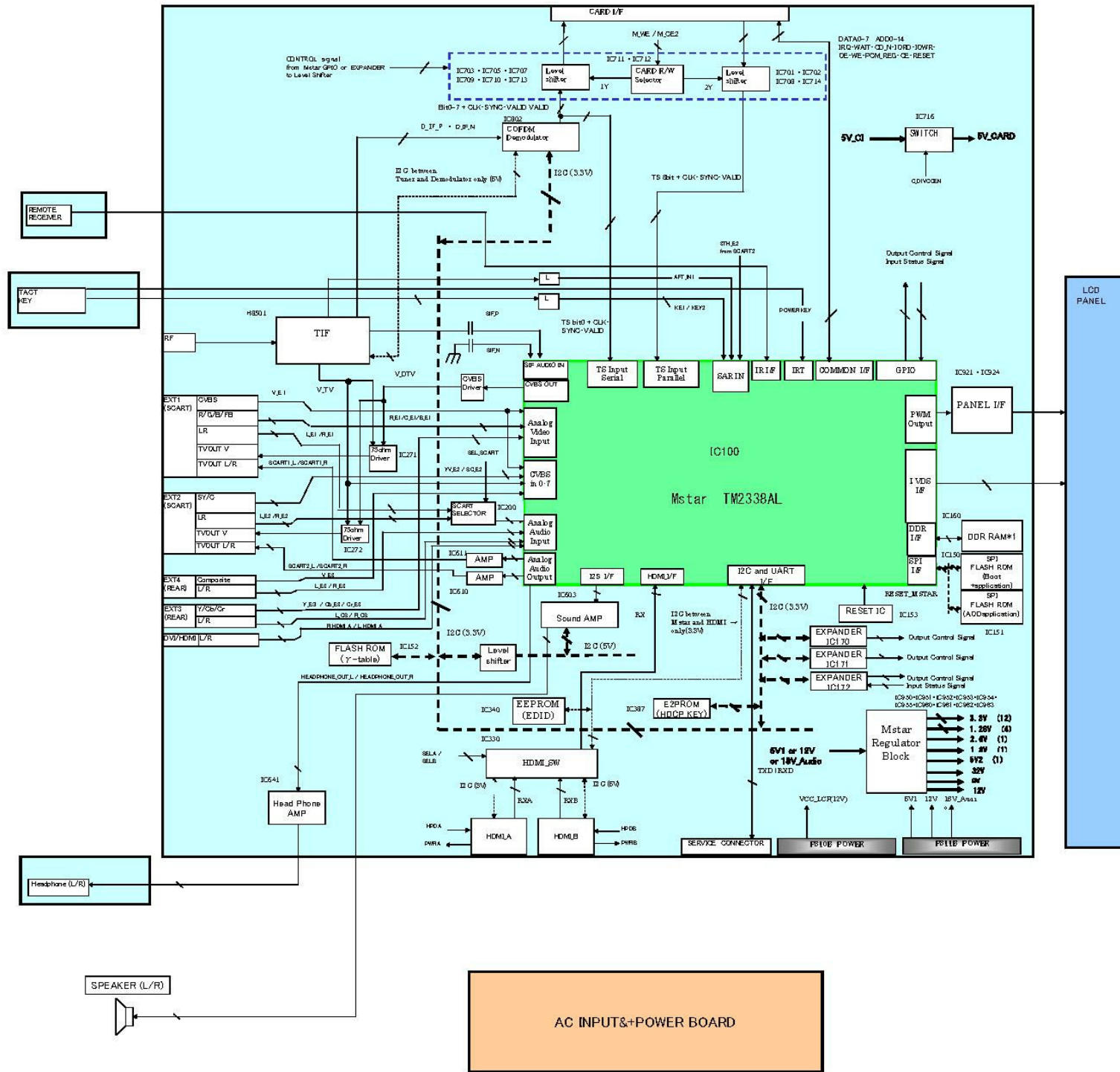
10. When transporting the LCD module, do not use packing containing epoxy resin (amine) or silicon resin (alcohol or oxim). The gas generated by these materials can cause loss of polarity.



U03A  
MAIN

POWER

U02A  
KEY/LED/RMT



USER SELECT	信号	Mstar入力
RF1	V	V TV
SCART1(V)	V	V E1
SCART1(RGB)	R G B	R_E1 G_E1 B_E1
SCART2(V)	V	YV E2
SCART2(S)	Y	YV_E2
	C	SC E2
VIDEO3(V)	V	Y E3
VIDEO3(Y/Cb/Cr)	Cr Y Cb	Y_E3 Cb_E3 Cr_E3

[5V2]	IC960: 5V2	[3.3V]	IC950: +3.3V HDMI IC951: +3.3V CARD IC952: +3.3V VDDP +3.3V_VDD_LPLL +3.3V_D +3.3V_AVDD_MEMPLL +3.3V_AVDD_AD_C +3.3V_AVDD_SF +3.3V_AVDD_AU +3.3V_VDD_MPLL +3.3V_AVDD_OTG
[32V]	IC961: 32V	[1.26V]	IC953: +1.2V_AVDD_LV1 +1.2V_CORE
[9V]	IC962: 9V	[2.6V]	IC954: +2.6V_DDR
[VCC_Audio]	IC963: 1.2V	[1.8V]	IC955: +1.8V_DEMOD
		[5V]	5V2 → FL702 → 5V_C1

## SCHEMATIC DIAGRAM

### Precaution

**WARNING:** BEFORE SERVICING THIS CHASSIS, READ THE "X-RAY RADIATION PRECAUTION" FOR DIRECT VIEW CTV ONLY, "SAFETY PRECAUTION" AND "PRODUCT SAFETY NOTICE" OF THIS MANUAL.

**CAUTION:** The international hazard symbols "⚠" in the schematic diagram and the parts list designate components which have special characteristics important for safety and should be replaced only with types identical to those in the original circuit or specified in the parts list.

The mounting position of replacements is to be identical with originals. Before replacing any of these components, read carefully the SAFETY PRECAUTION and PRODUCT SAFETY NOTICE.

Do not degrade the safety of the receiver through improper servicing.

### Note:

#### 1. RESISTOR

Resistance is shown in ohm [K=1,000, M=1,000,000]. All resistors are 1/6 W and 5 % tolerance carbon resistor, unless otherwise noted as the following marks.

1/2R : Metal or Metal oxide of 1/2 watt

1/2S : Carbon composition of 1/2 watt

1RF : Fuse resistor of 1 watt

10 W : Cement of 10 watt

K :  $\pm 10\%$

G :  $\pm 2\%$

F :  $\pm 1\%$


#### 2. CAPACITOR

Unless otherwise noted in schematic, all capacitor values less than 1 are expressed in  $\mu\text{F}$ , and the values more than 1 in pF.

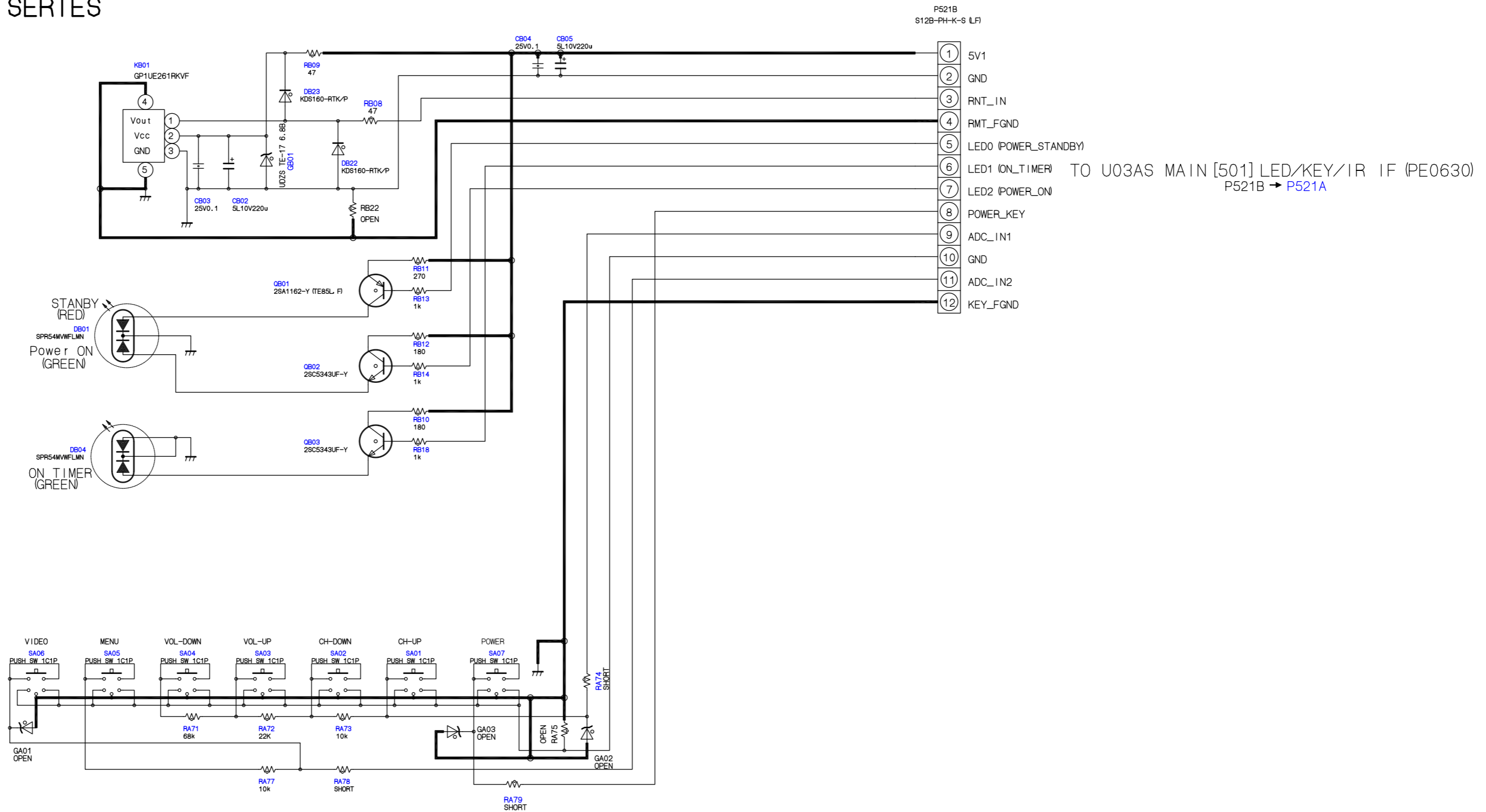
All capacitors are ceramic 50 V, unless otherwise noted as the following marks.

 = Electrolytic capacitor

 = Mylar capacitor

3. The parts indicated with "" have special characteristics, and should be replaced with identical parts only.
4. Voltages read with DIGITAL MULTI-METER from point indicated to chassis ground, using a color bar signal with all controls at normal, line voltage at nominal AC volts.
5. Waveforms are taken receiving color bar signal with enough sensitivity.
6. Voltage reading shown are nominal values and may vary  $\pm 20\%$  except H.V.

for AV505D SERIES



U02A KEY/LED/RMT [8] KEY & LED (PE0491)

ネガティブフィードバックのラインは  
直接GNDに落とさずに、  
56Ωの付近まで引き出して繋いでください。

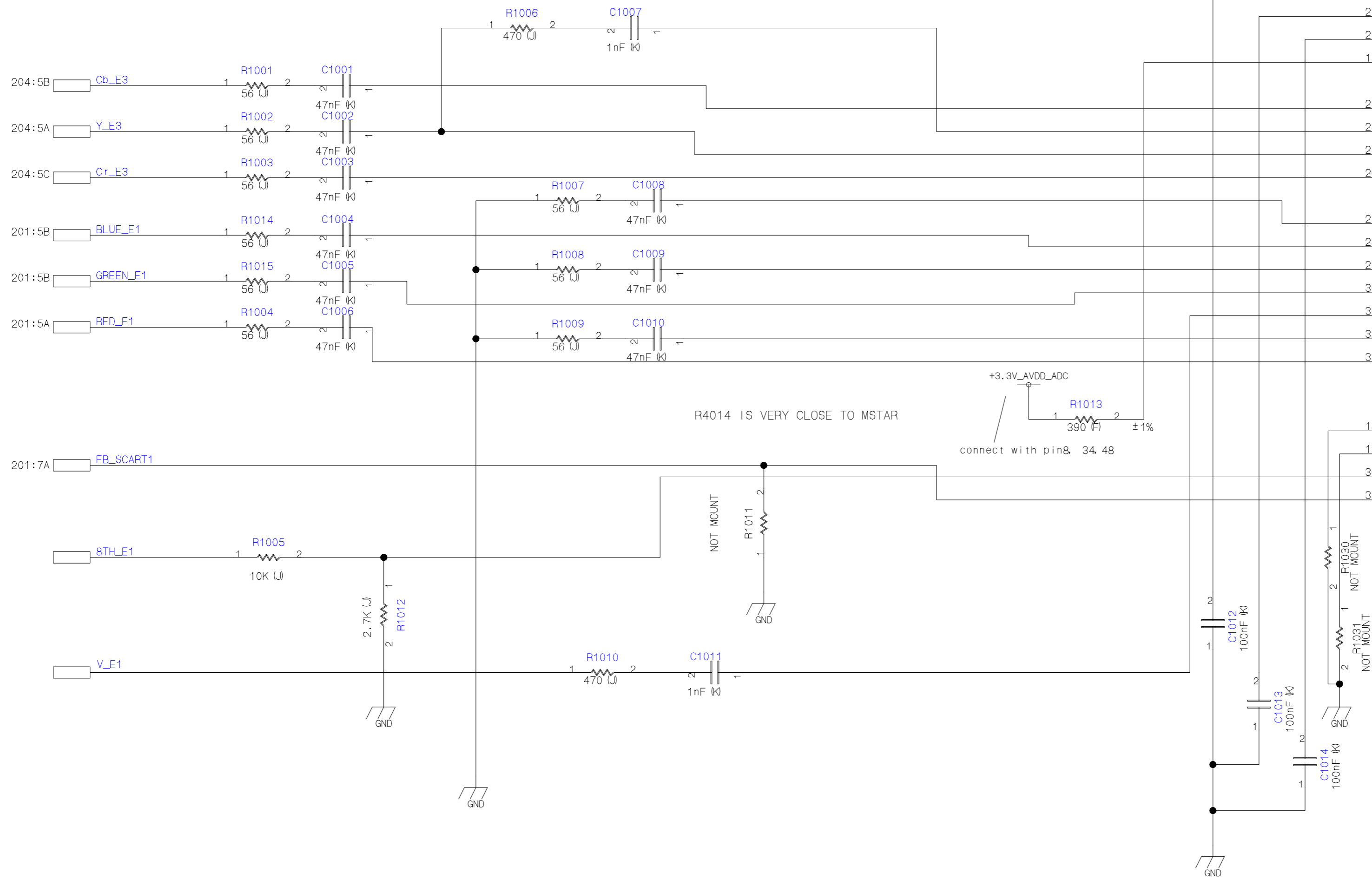
20071217 Zener diodes deleted

V46A00029400  
TM2338AL

[V-U2338]  
1/10  
IC100

[ANALOG INTERFACE]

- 20 VCLAMP
- 21 REFP
- 22 REFM
- 15 REXT
- 23 BIN1P
- 24 SOGIN1
- 25 GIN1P
- 26 RIN1P
- 27 BINM
- 28 BINOP
- 29 GINM
- 30 GINOP
- 31 SOGINO
- 32 RINM
- 33 RINOP
- 18 HSYNC1
- 19 VSYNC1
- 36 HSYNC0
- 37 VSYNC0

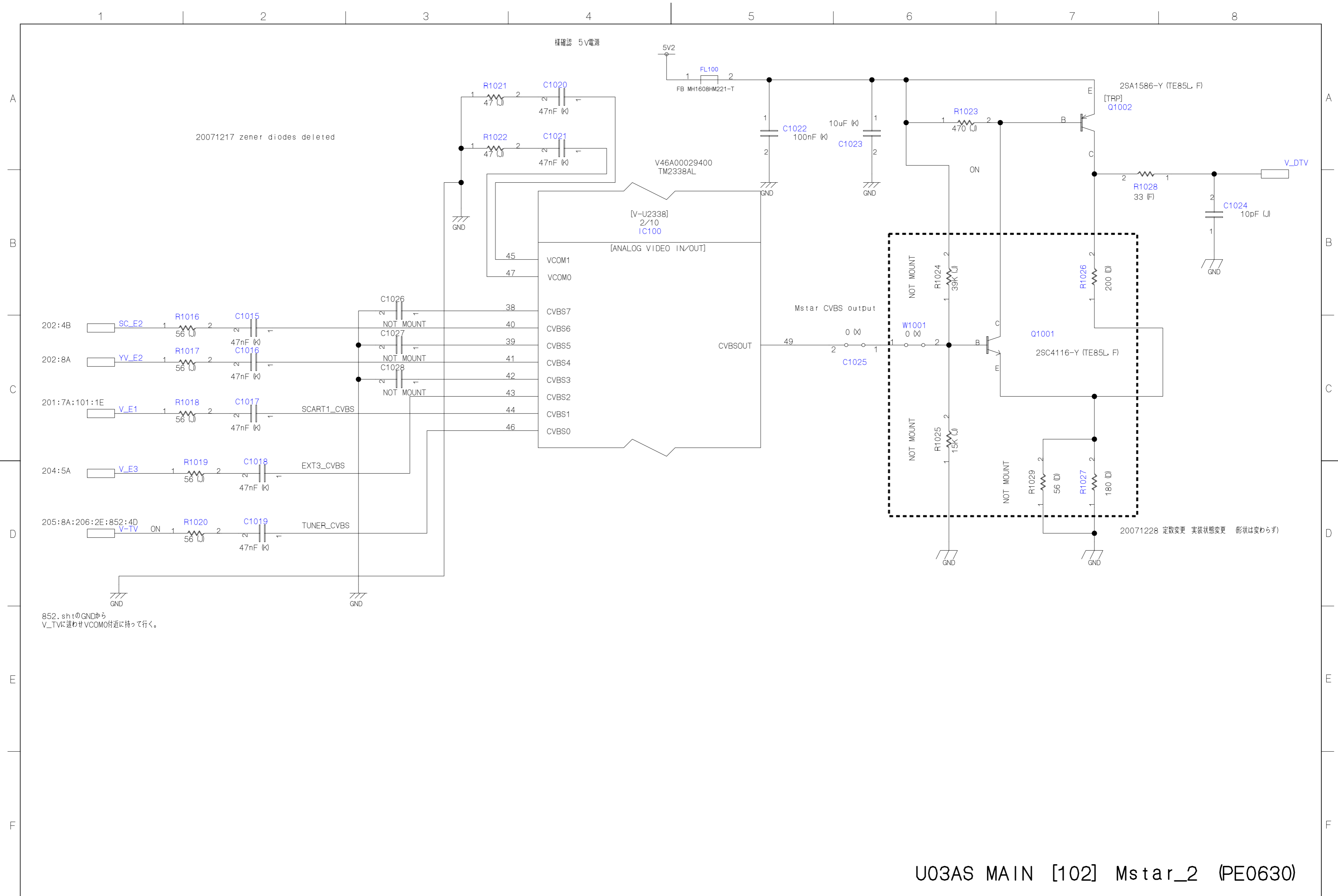


R4014 IS VERY CLOSE TO MSTAR

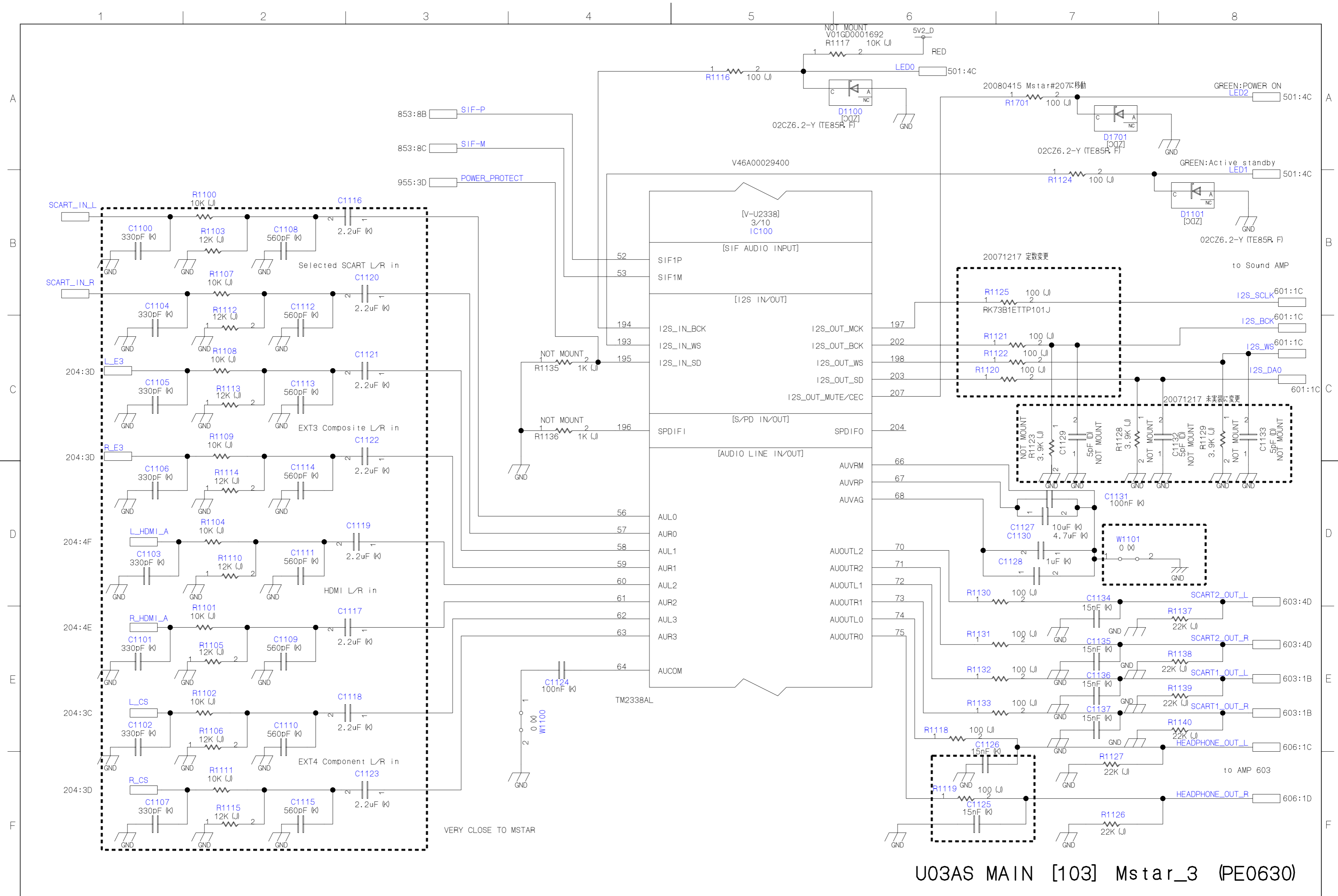
+3.3V\_AVDD\_ADC  
connect with pinB. 34, 48

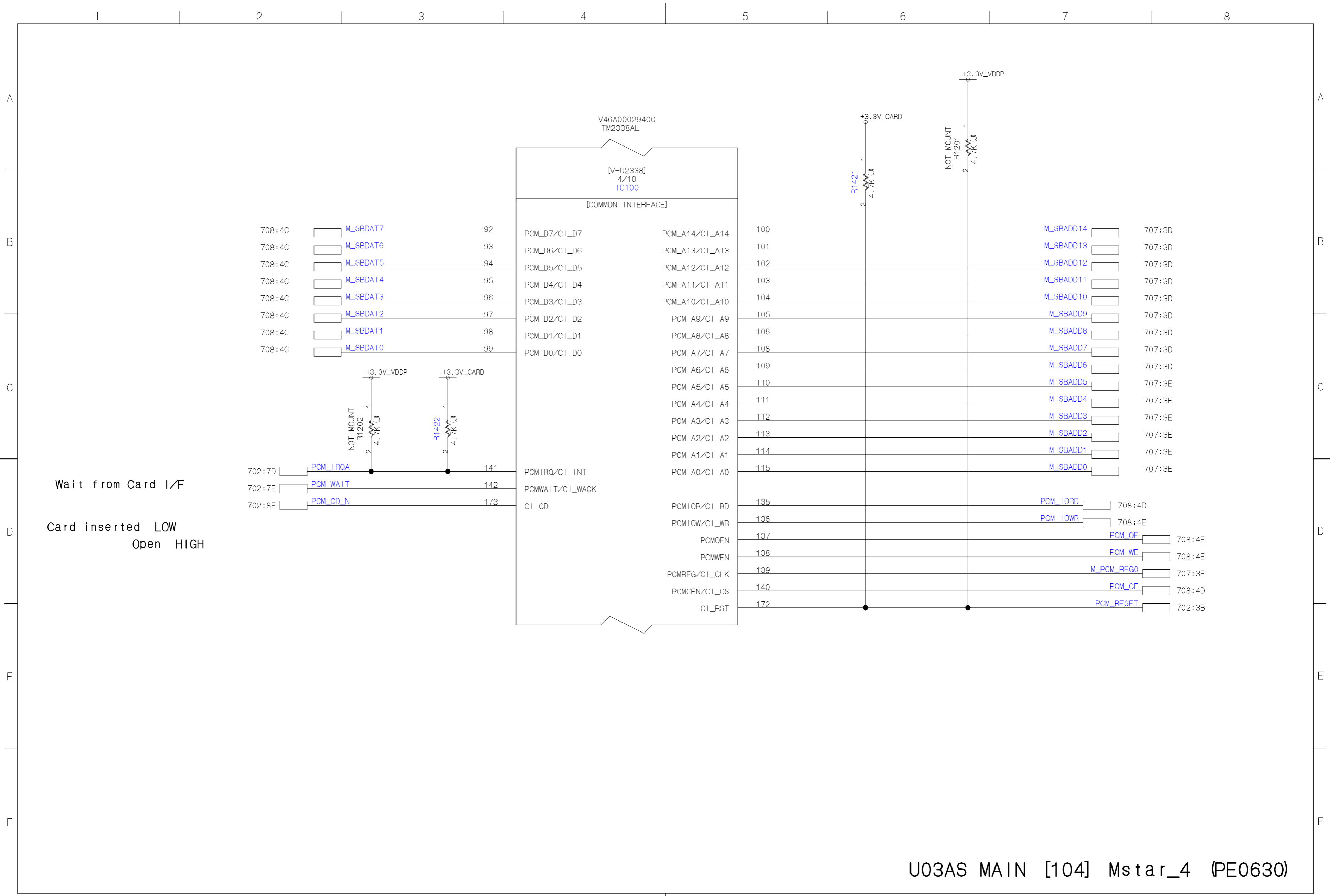
NOT MOUNT  
R1011

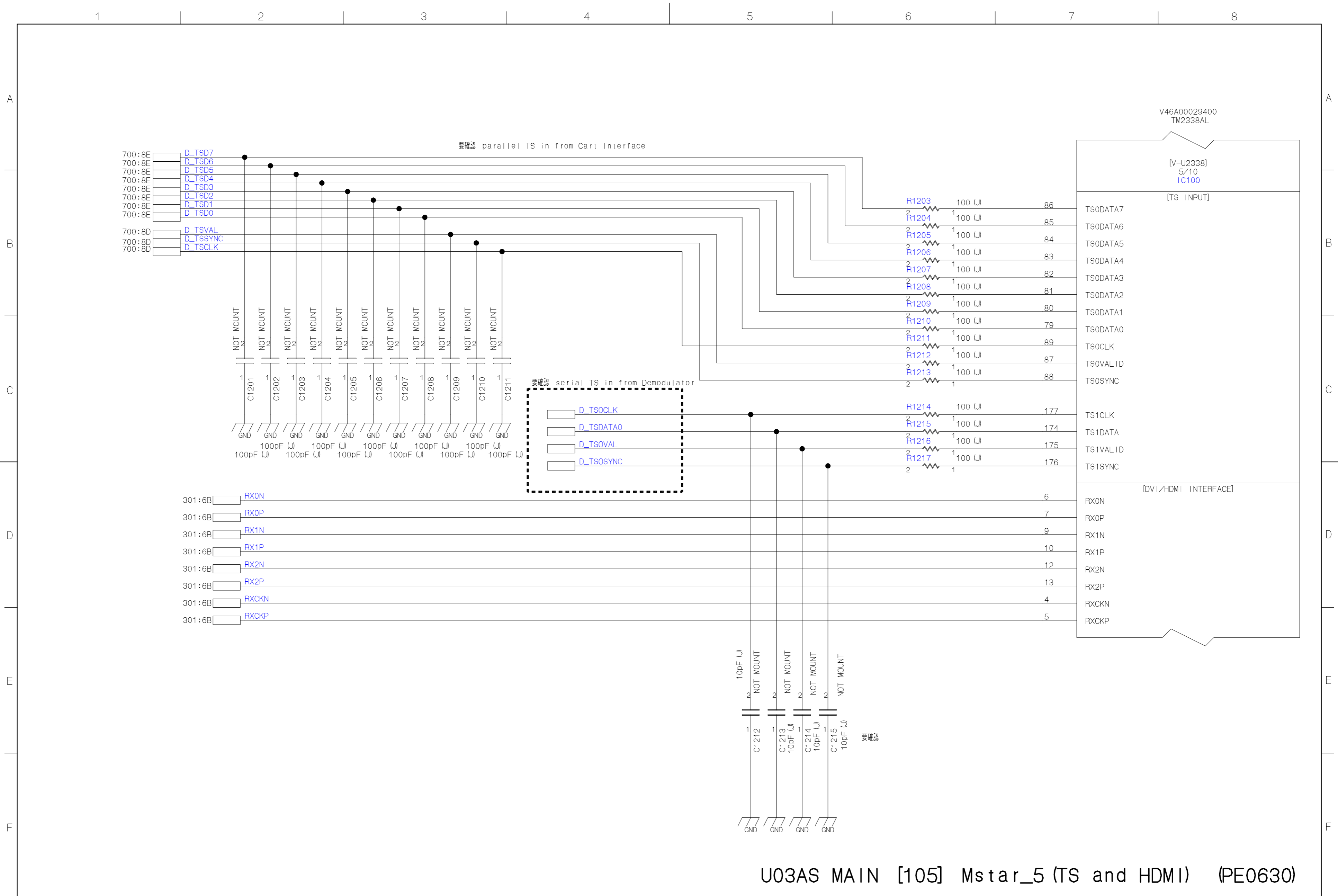
NOT MOUNT  
R1030  
NOT MOUNT  
R1034



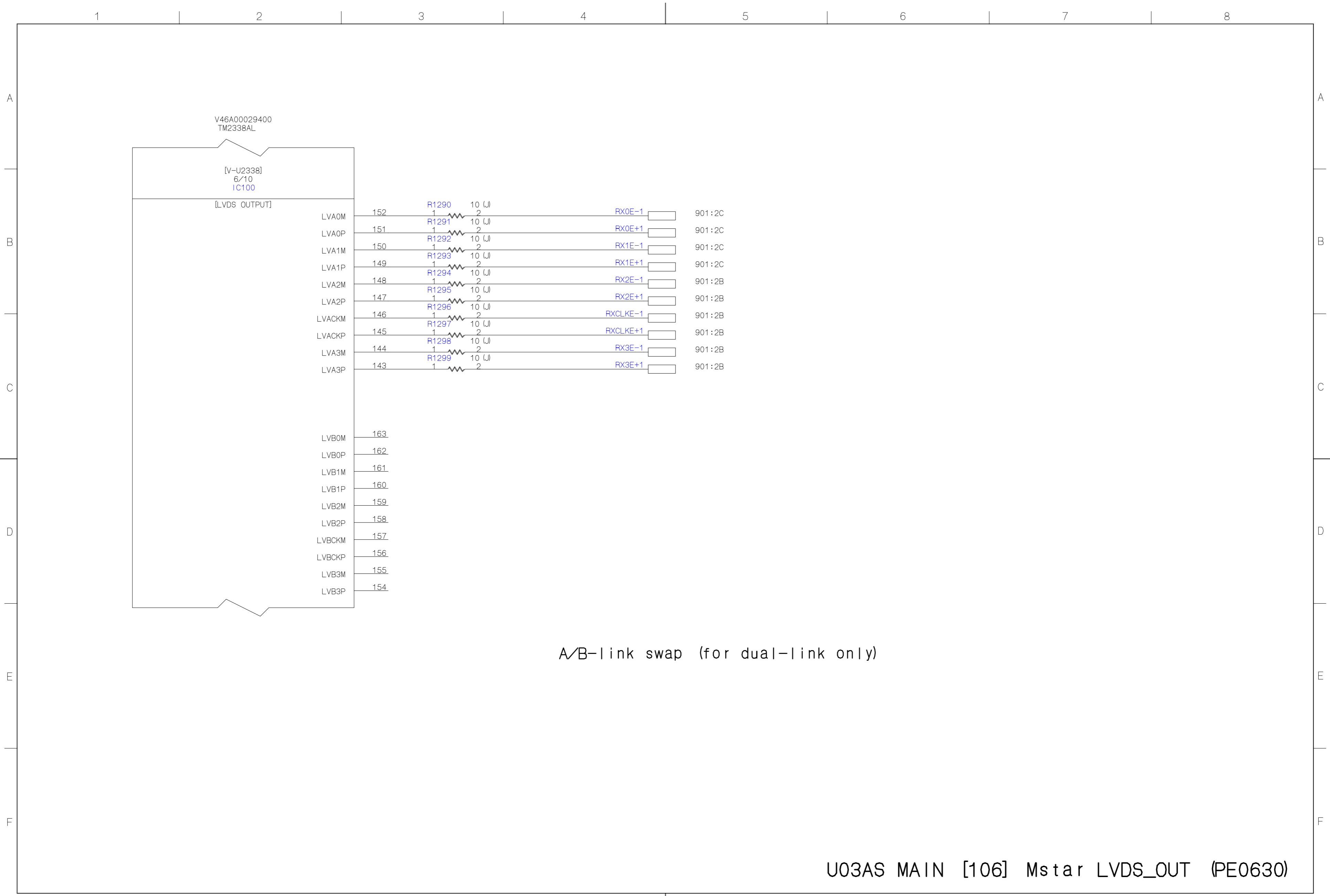






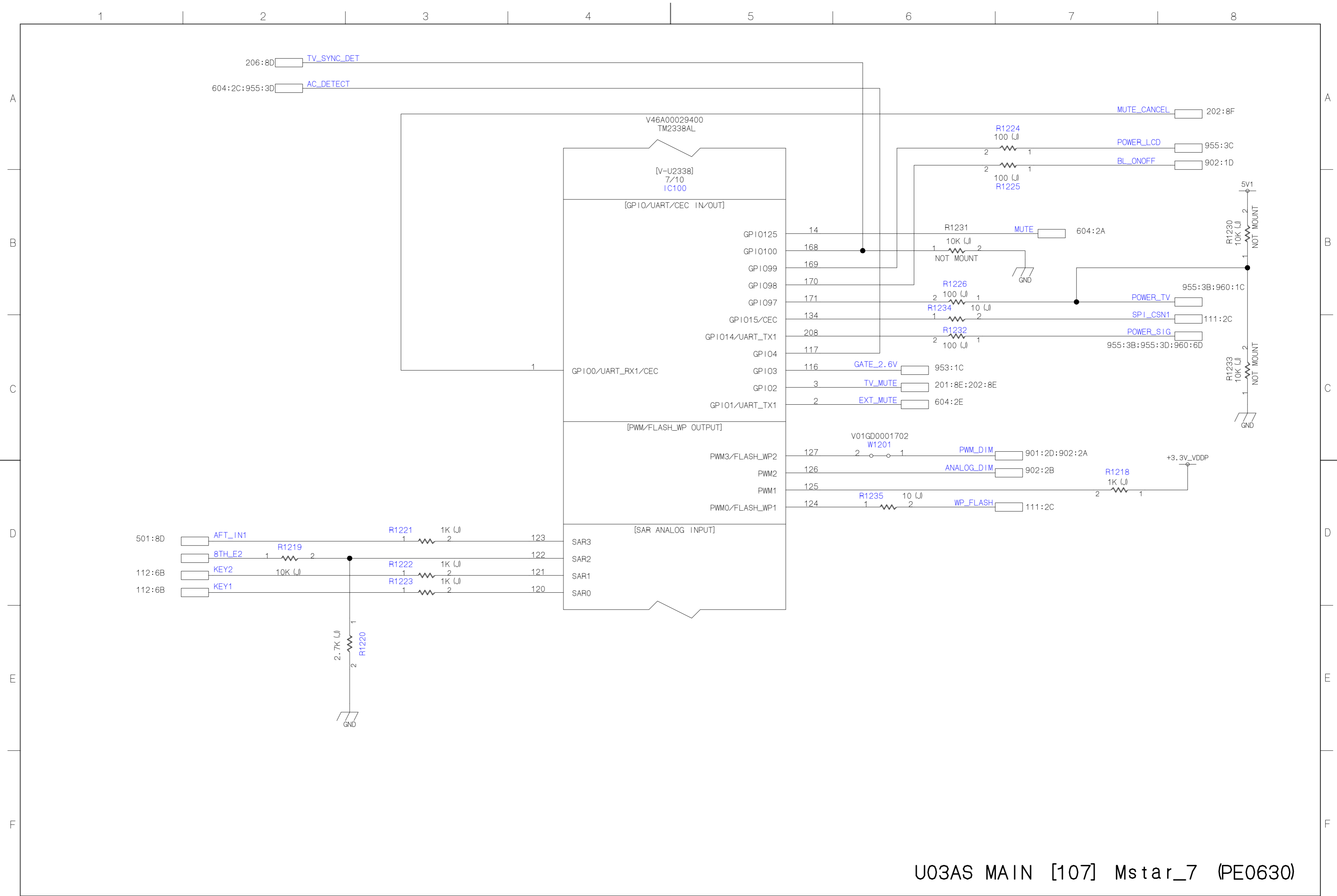


U03AS MAIN [105] Mstar\_5 (TS and HDMI) (PE0630)

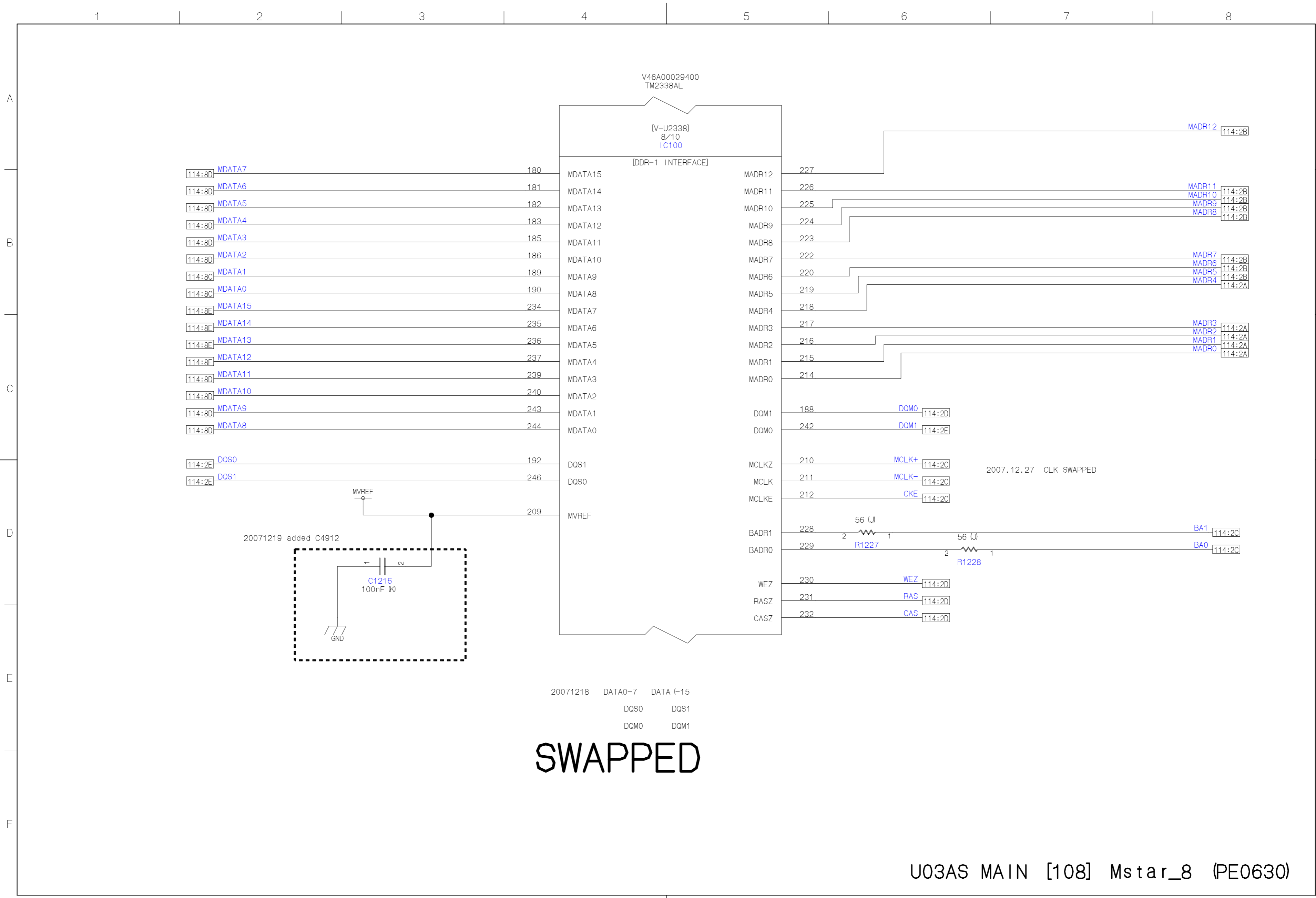


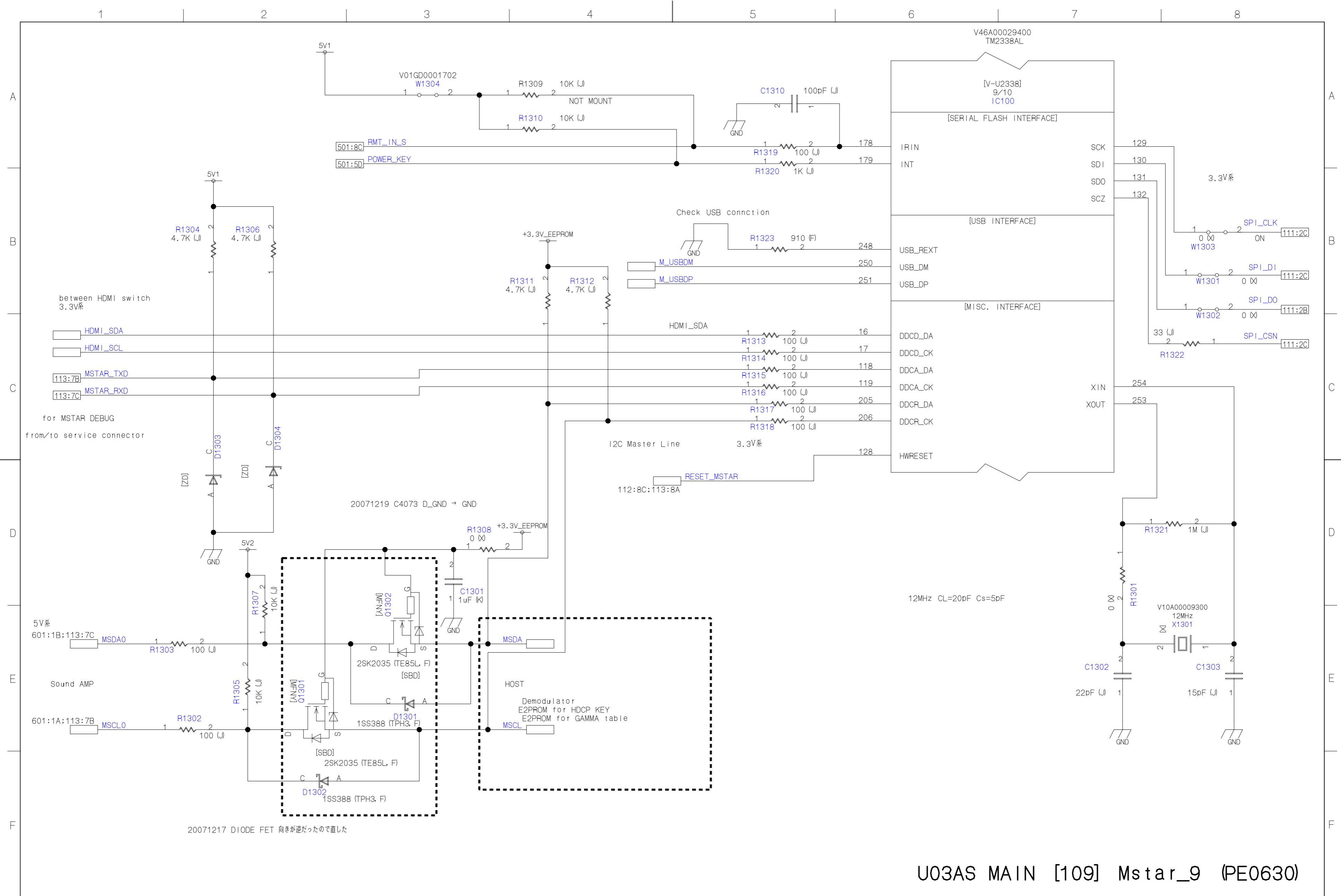
A/B-link swap (for dual-link only)

U03AS MAIN [106] Mstar LVDS\_OUT (PE0630)

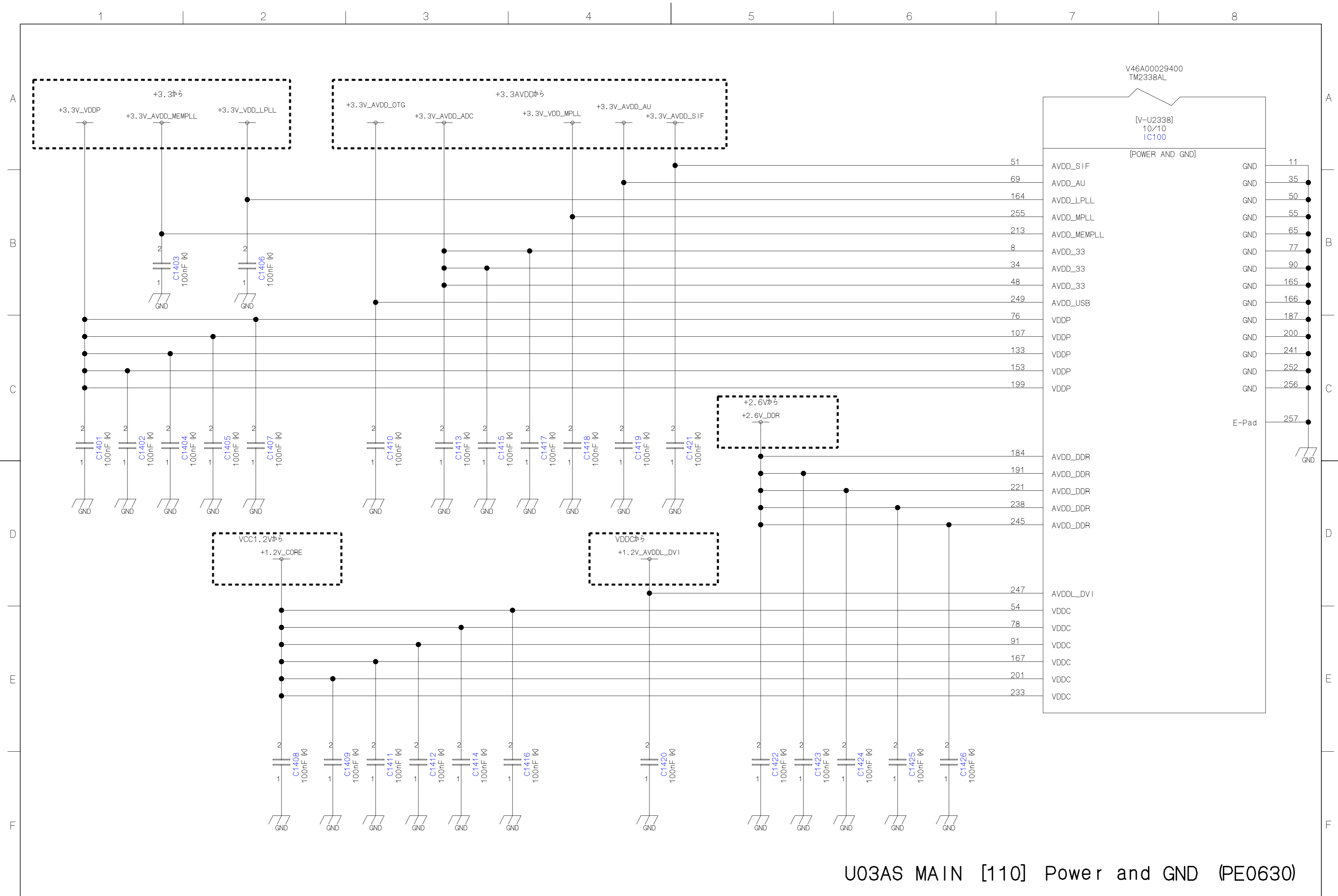


U03AS MAIN [107] Mstar\_7 (PE0630)





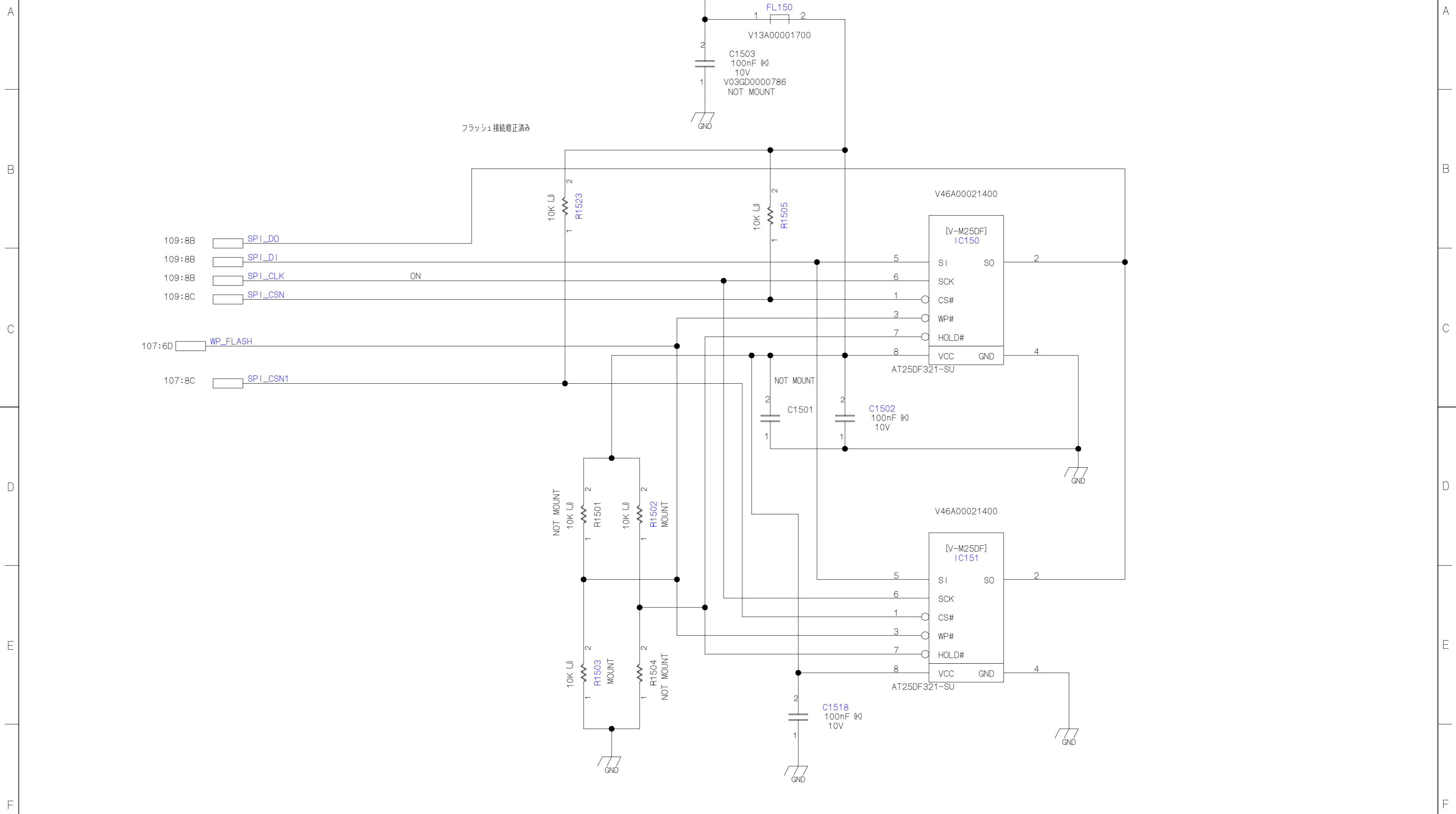
U03AS MAIN [109] Mstar\_9 (PE0630)



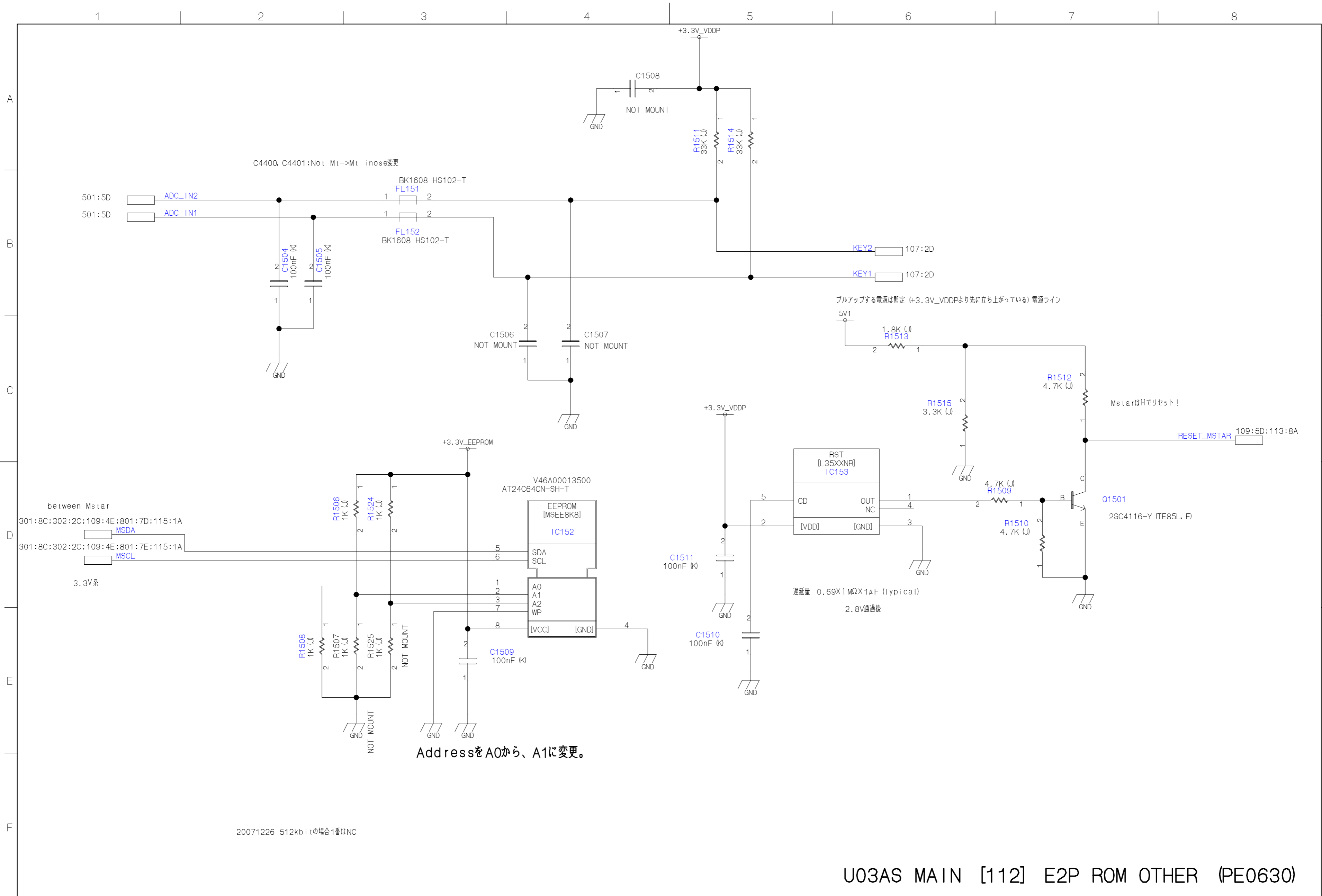
U03AS MAIN [110] Power and GND (PE0630)



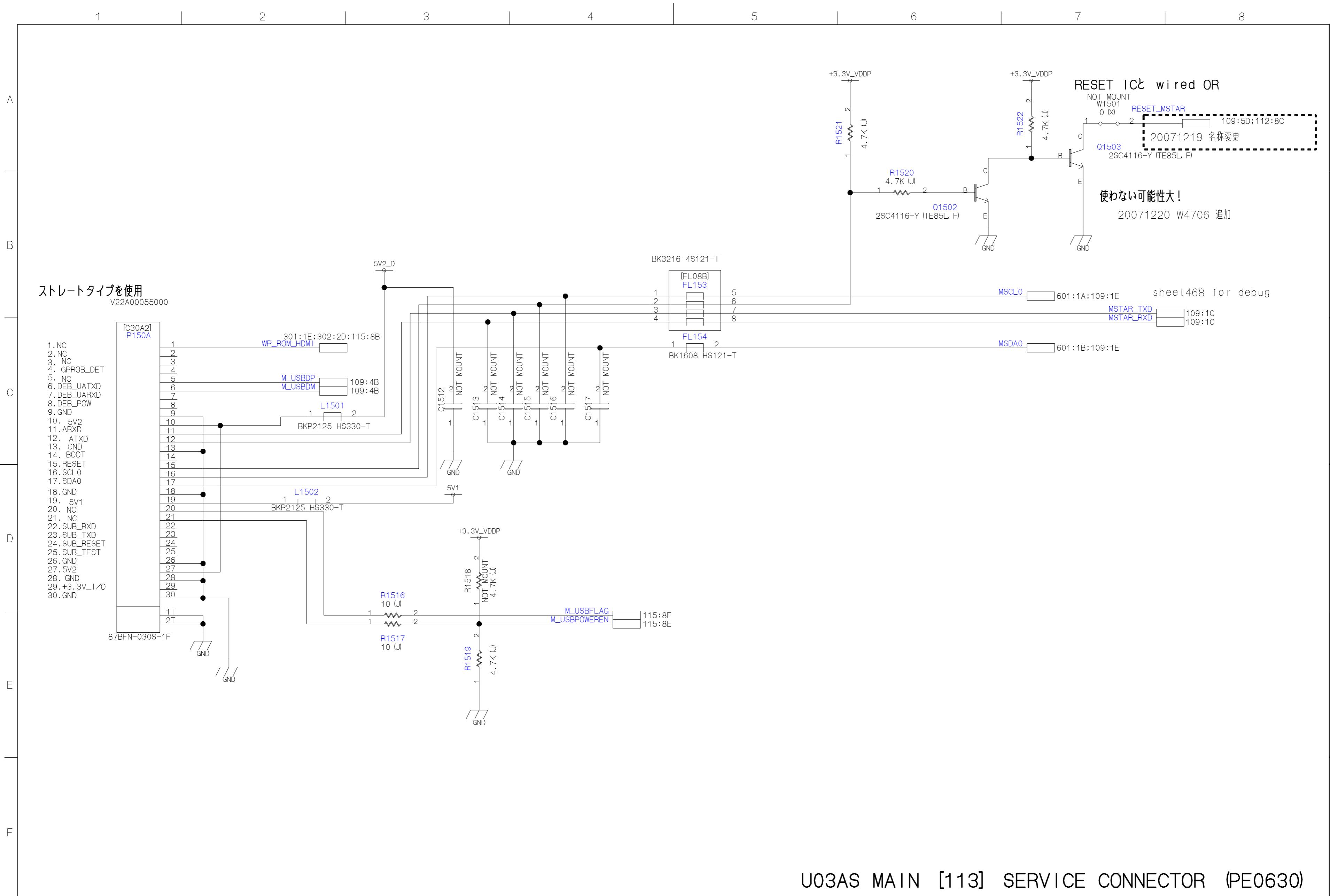
1 2 3 4 5 6 7 8



U03AS MAIN [111] FLASH MEMORY (PE0630)



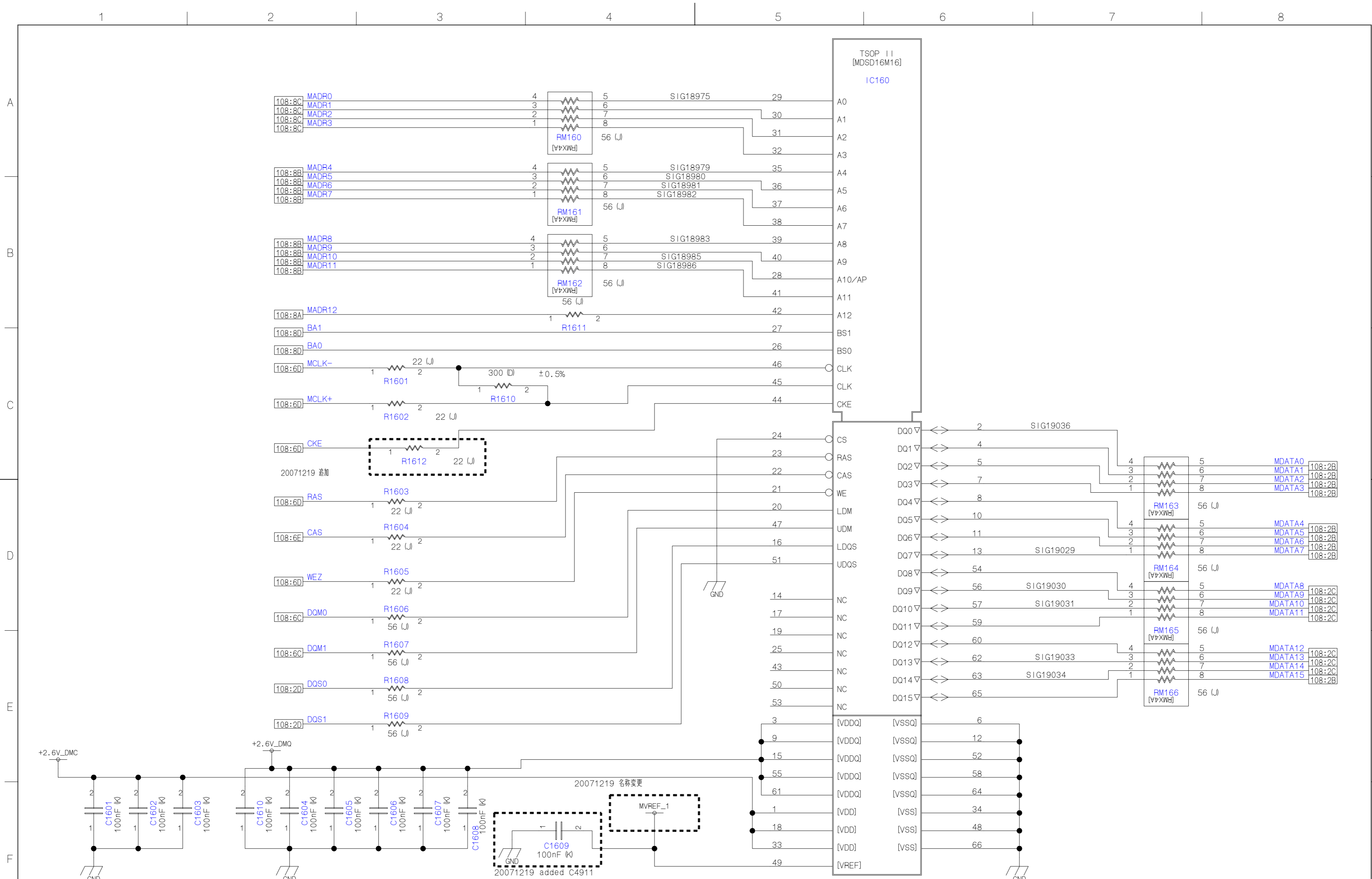
20071226 512kbitの場合1番はNC



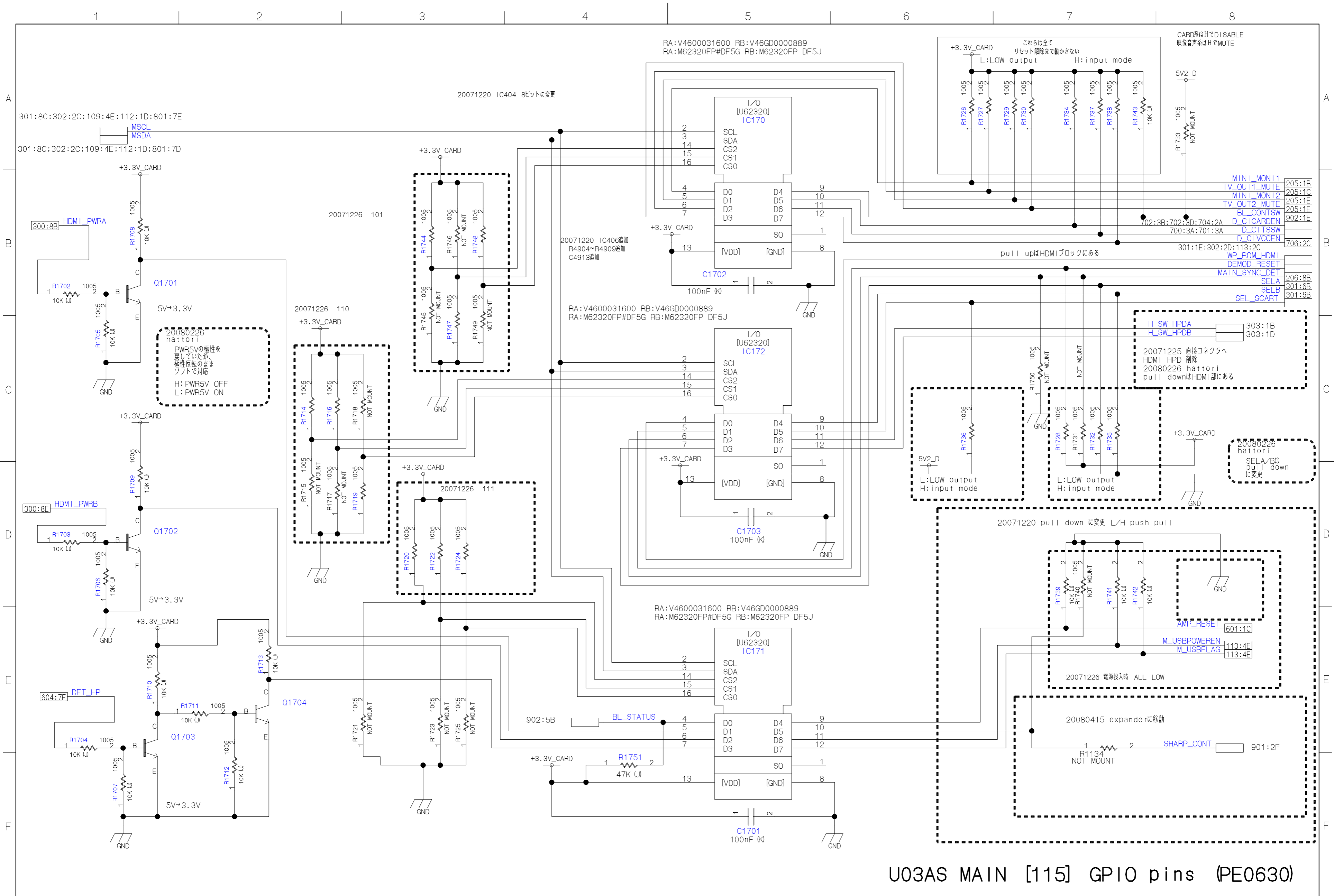
ストレートタイプを使用

- 1. NC
- 2. NC
- 3. NC
- 4. GPROB\_DET
- 5. NC
- 6. DEB\_UATXD
- 7. DEB\_UARXD
- 8. DEB\_POW
- 9. GND
- 10. 5V2
- 11. ARXD
- 12. ATXD
- 13. GND
- 14. BOOT
- 15. RESET
- 16. SCL0
- 17. SDA0
- 18. GND
- 19. 5V1
- 20. NC
- 21. NC
- 22. SUB\_RXD
- 23. SUB\_TXD
- 24. SUB\_RESET
- 25. SUB\_TEST
- 26. GND
- 27. 5V2
- 28. GND
- 29. +3.3V\_I/O
- 30. GND

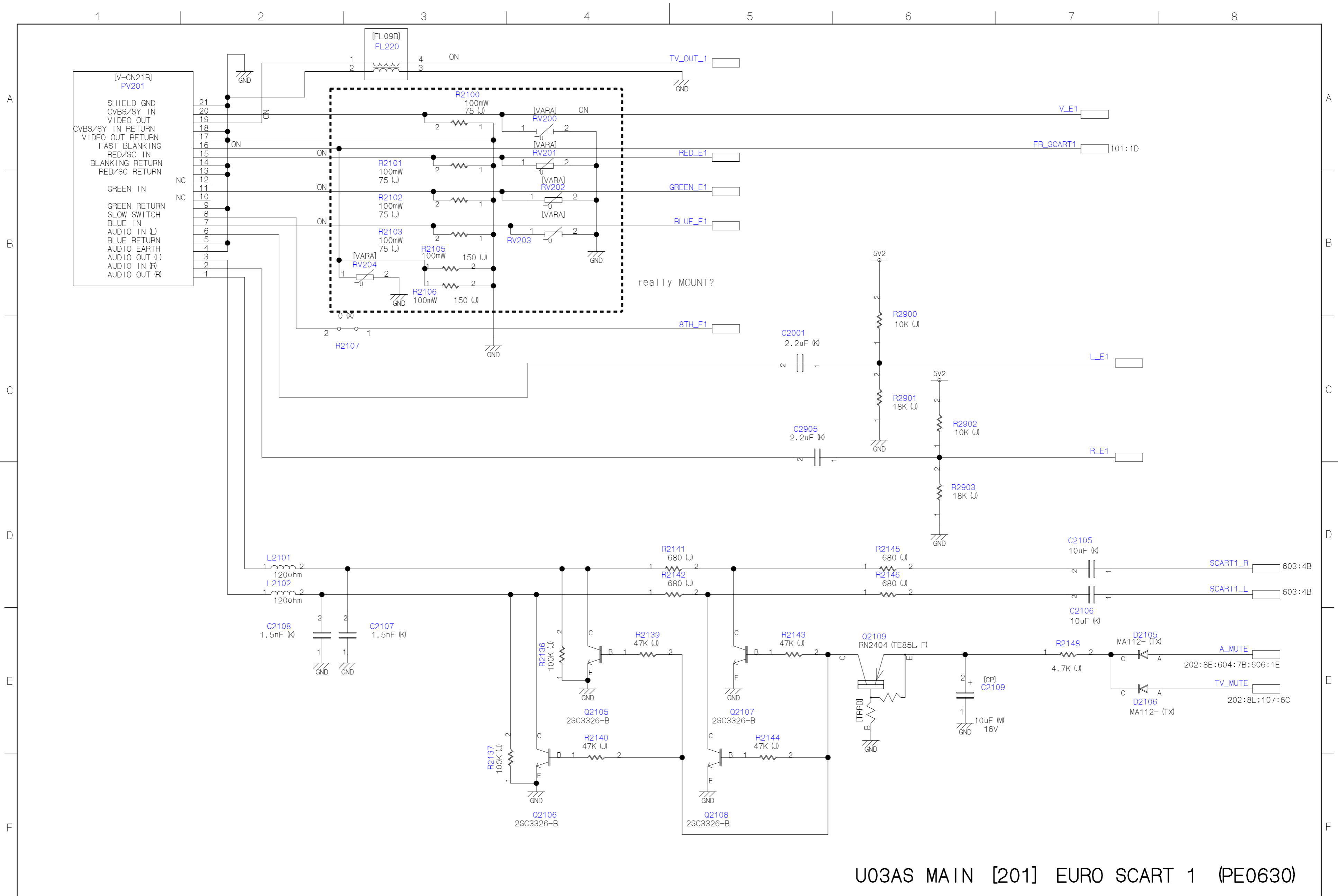
U03AS MAIN [113] SERVICE CONNECTOR (PE0630)



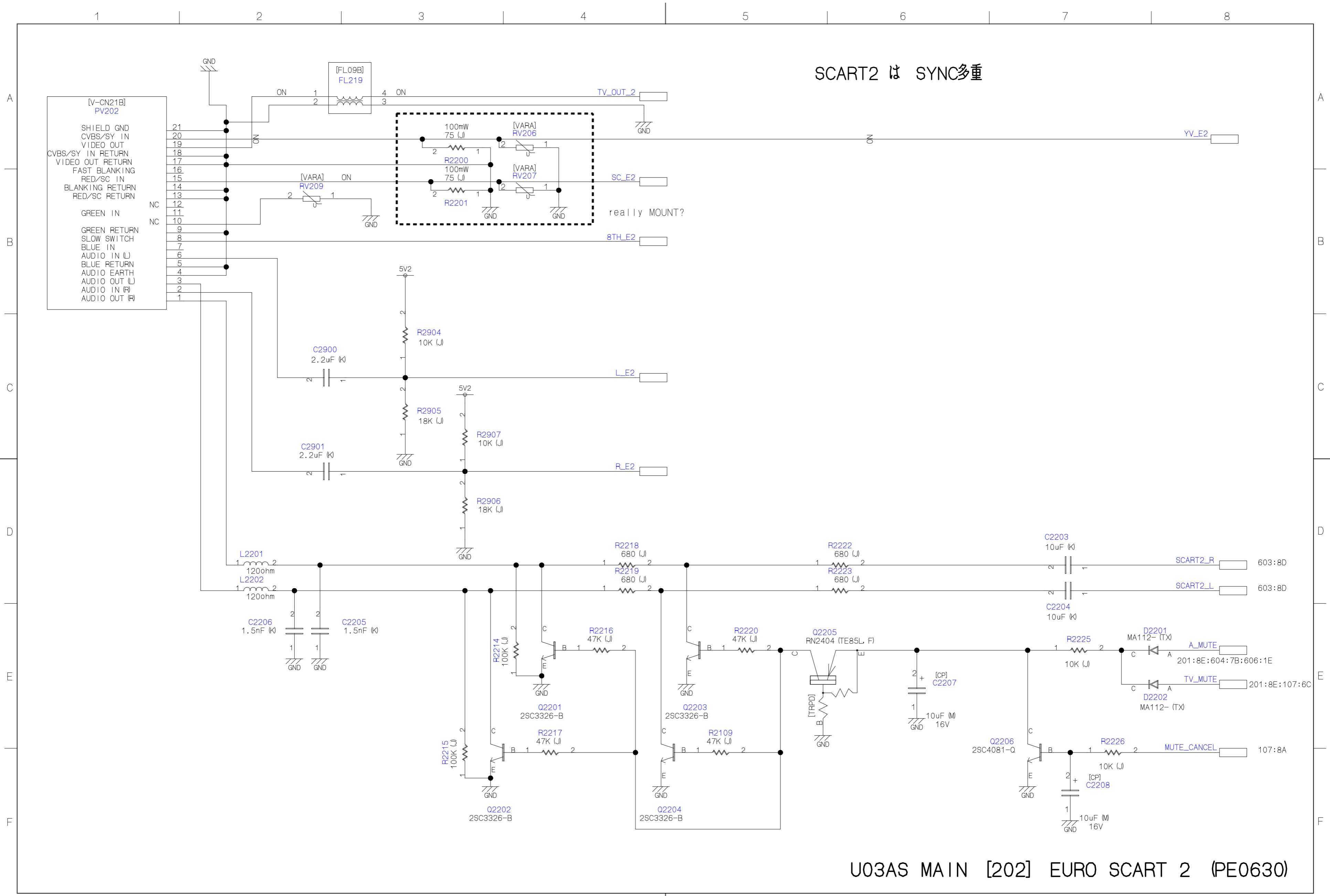
U03AS MAIN [114] DDR-1 Memory (PE0630)



U03AS MAIN [115] GPIO pins (PE0630)



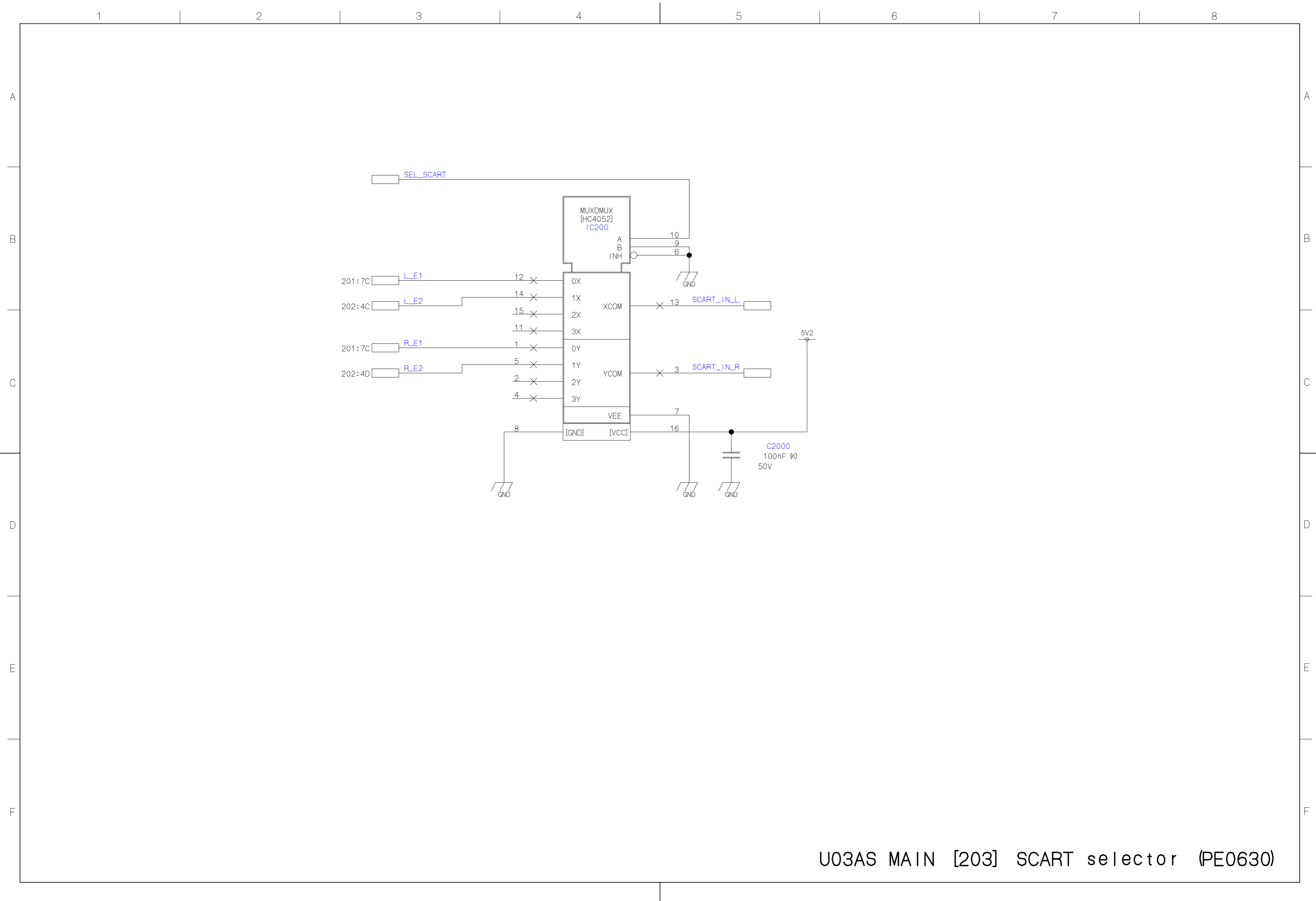
U03AS MAIN [201] EURO SCART 1 (PE0630)



SCART2 は SYNC多重

really MOUNT?

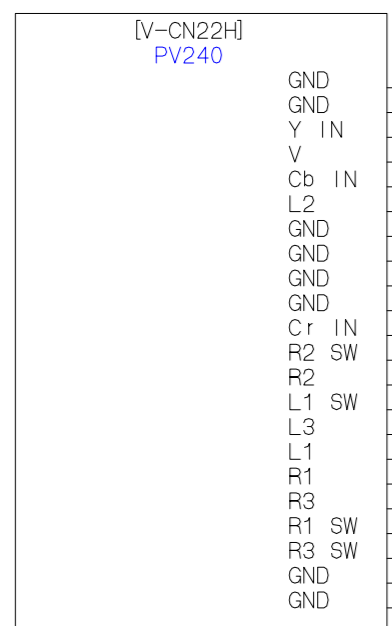
U03AS MAIN [202] EURO SCART 2 (PE0630)



U03AS MAIN [203] SCART selector (PE0630)



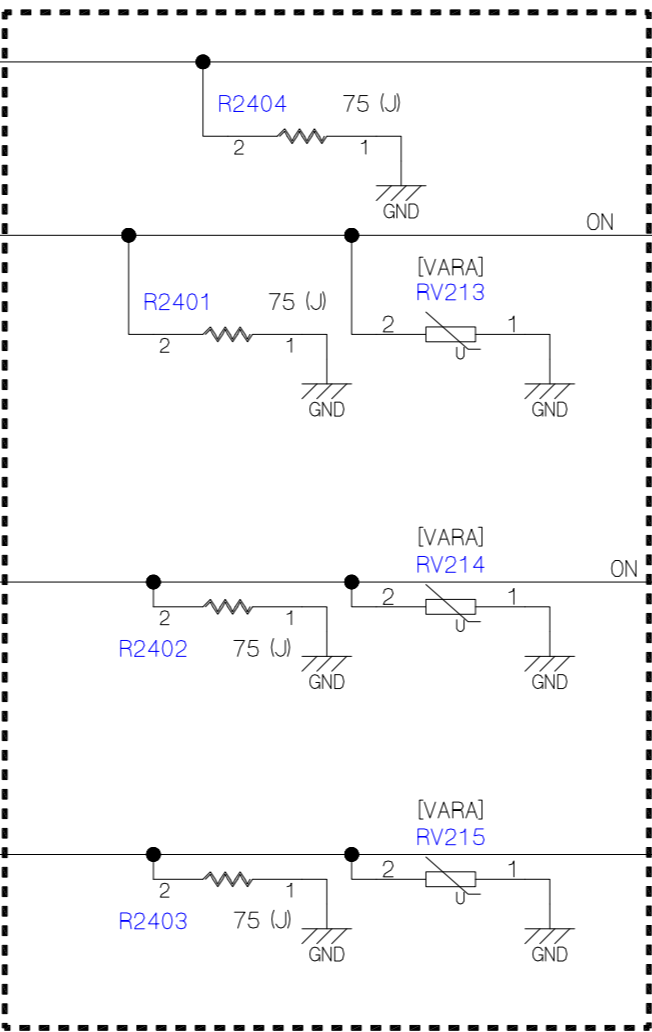
PV240はMP基板から左右反転させました。



~~音声仕様~~

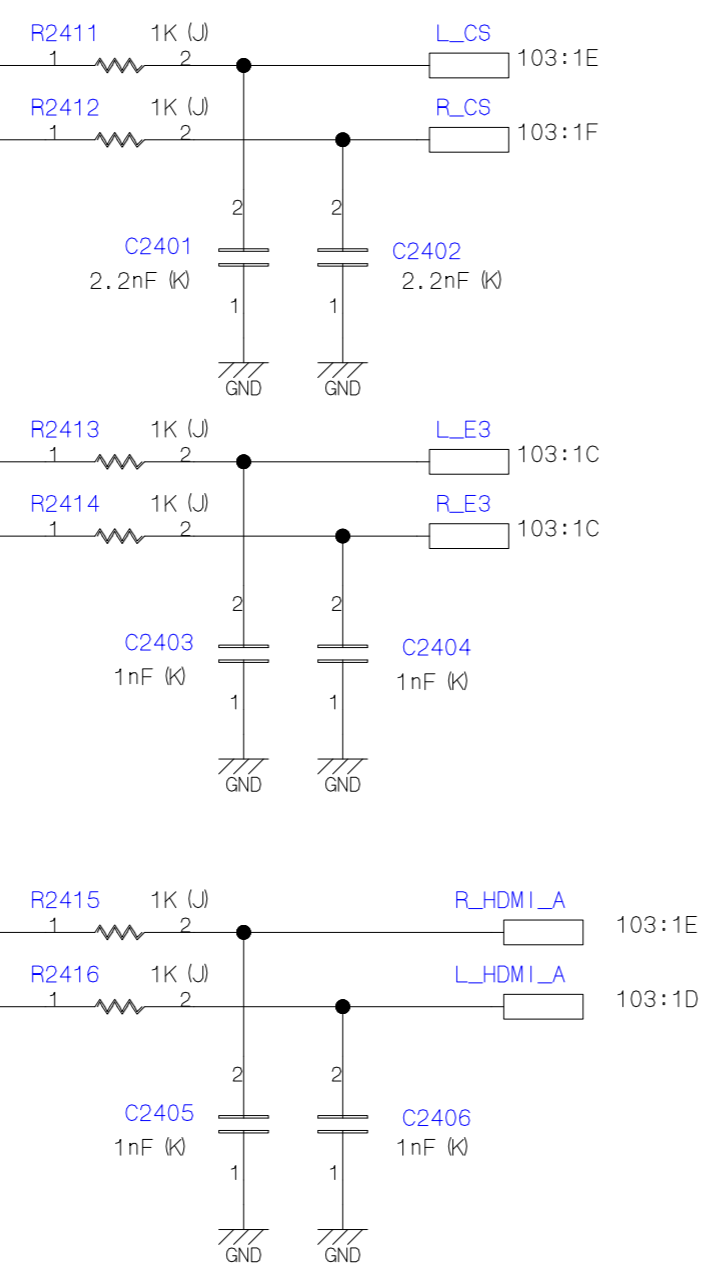
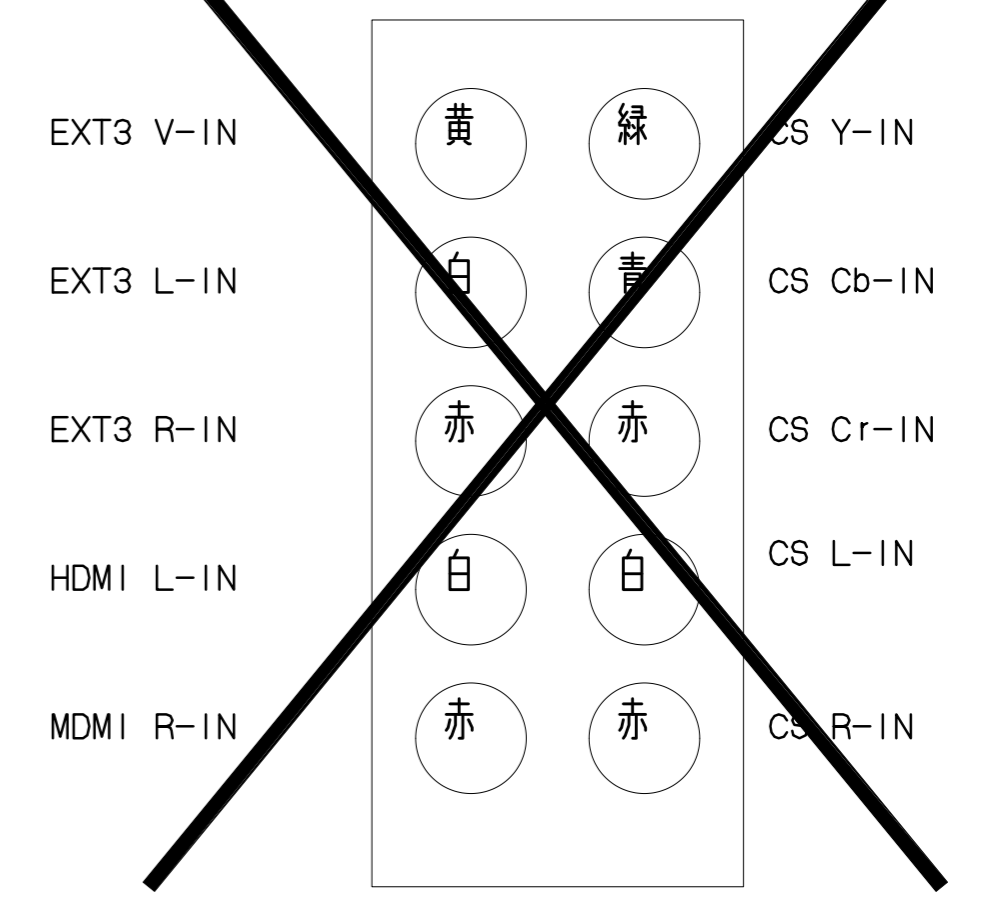
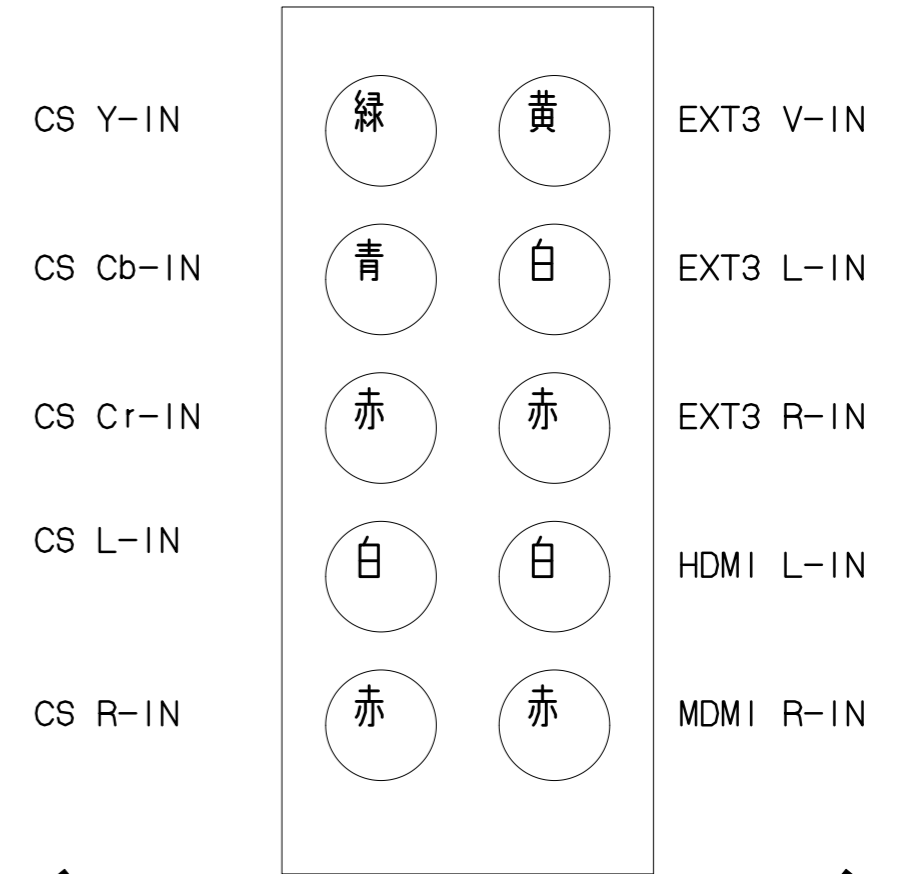
~~L1/R1:Audio in (Video 3COMPONENT)  
L2/R2:Audio in (Video 4COMPOSIT)  
L3/R3:MONO out~~

L1/R1:Audio in (Video 3COMPONENT)  
L2/R2:Audio in (Video 4COMPOSIT)  
L3/R3:Audio in (HDMI)

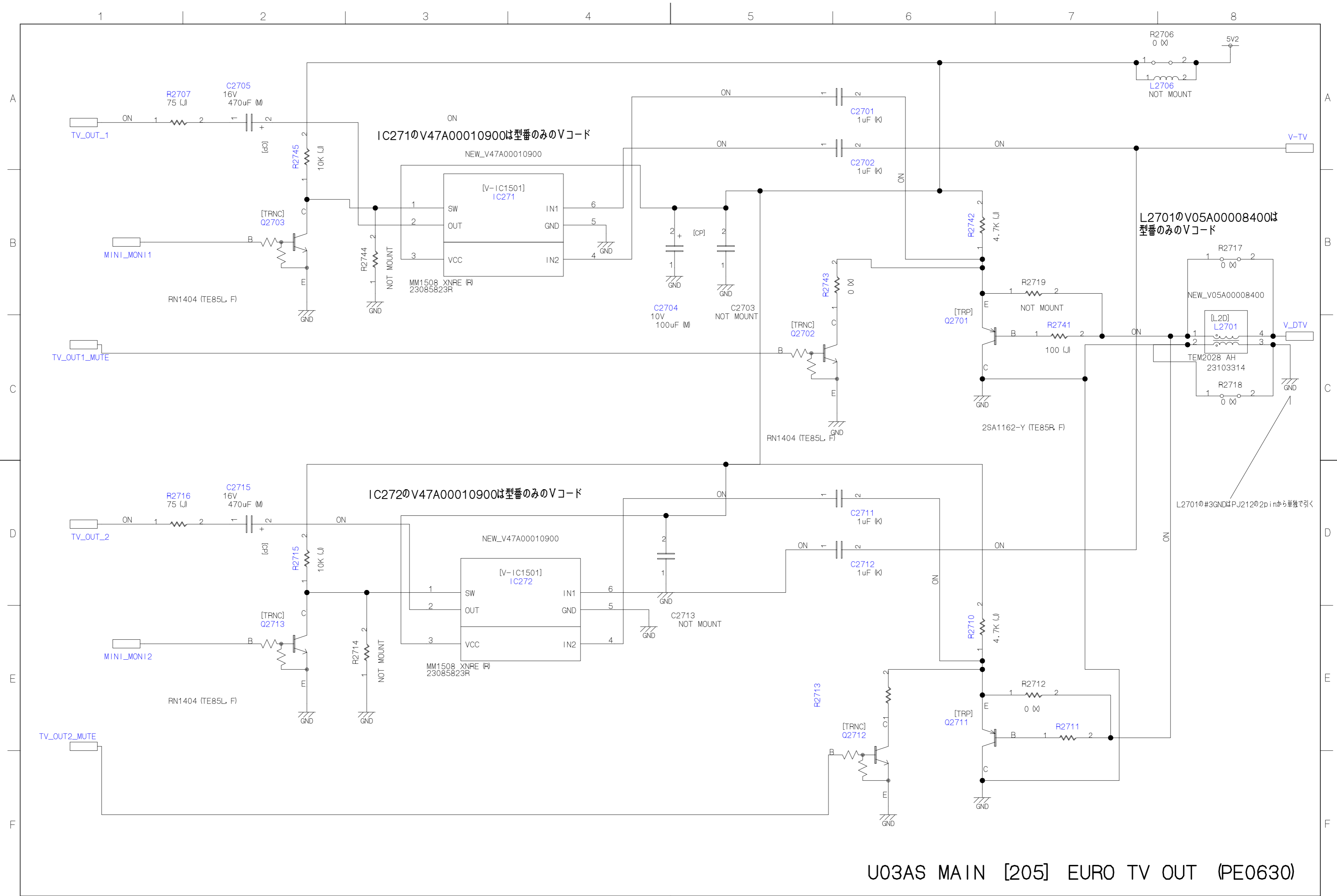


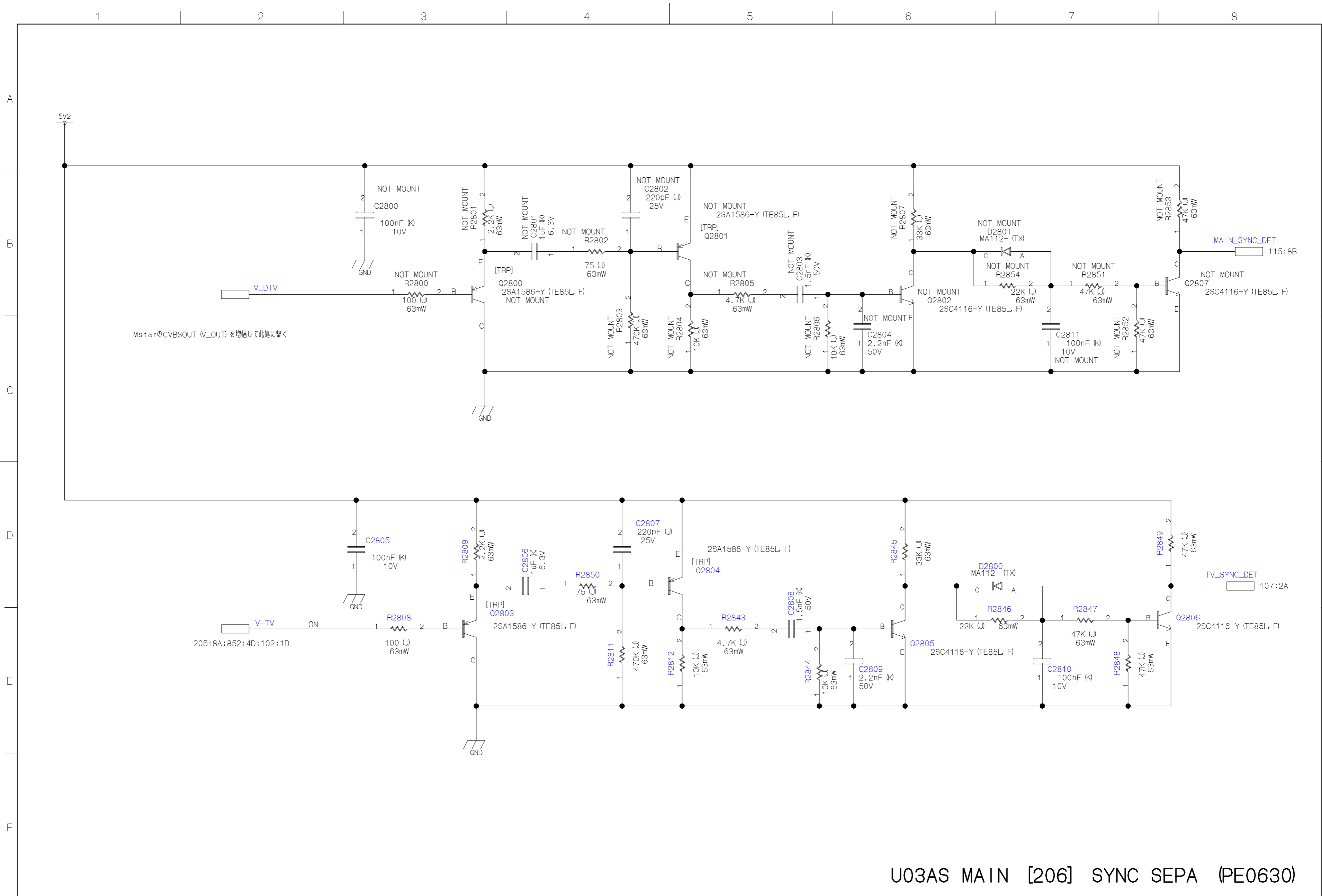
really MOUNT?

PV240はMP基板から左右反転させました。



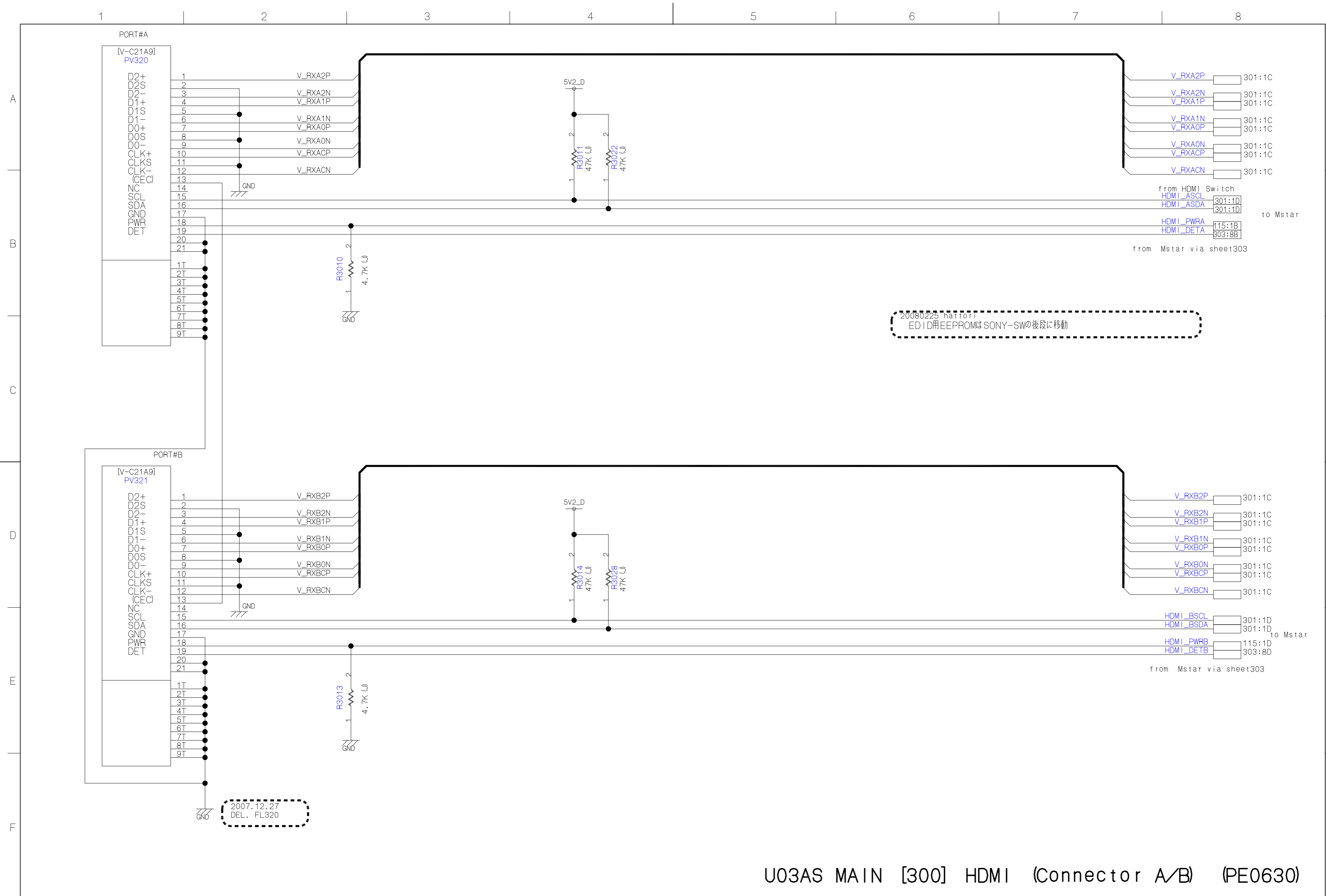
U03AS MAIN [204] EURO COMPONENT IN (PE0630)



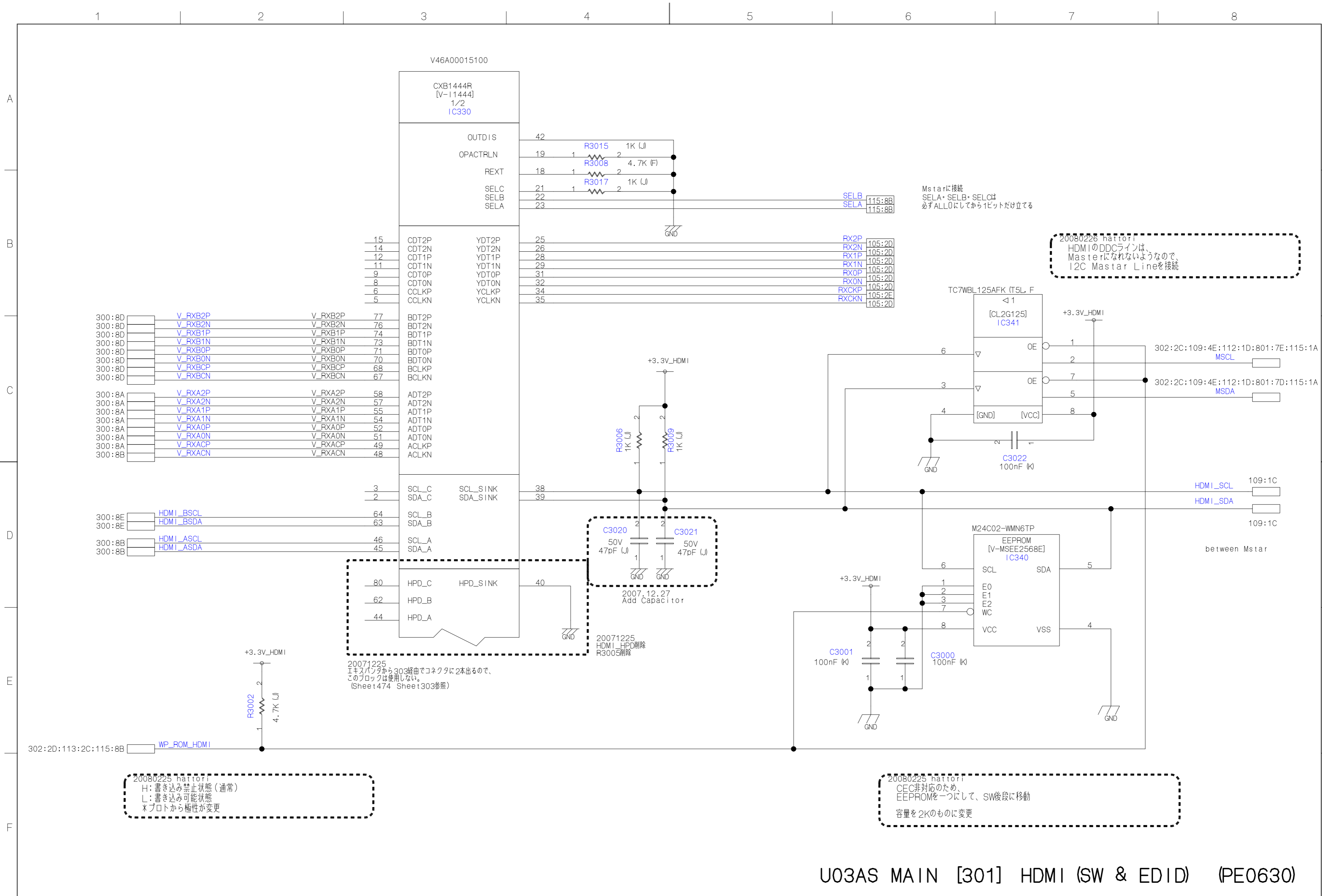


MstarのCVBSOUT (V\_OUT)を増幅して此処に繋ぐ

U03AS MAIN [206] SYNC SEPA (PE0630)

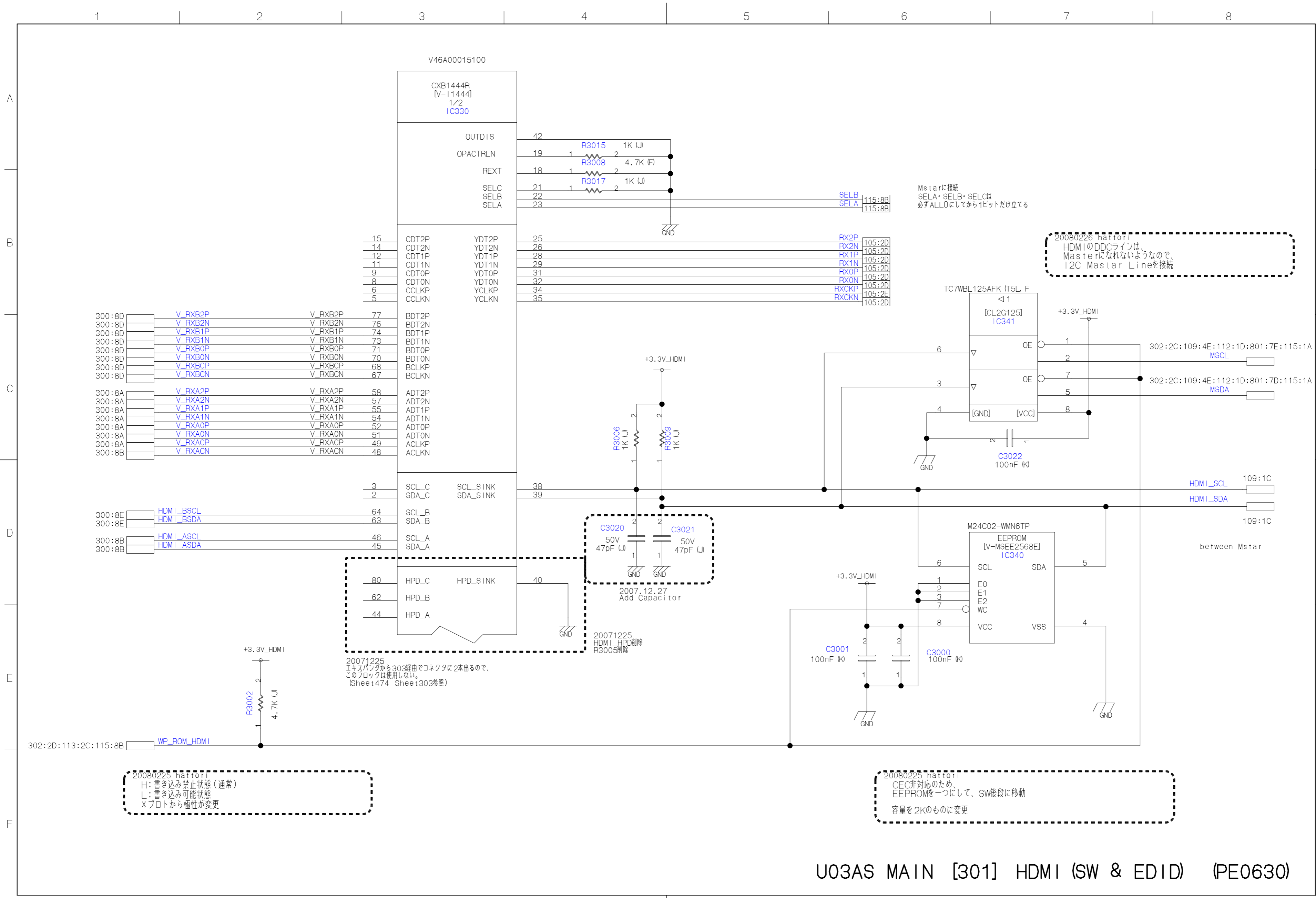


U03AS MAIN [300] HDMI (Connector A/B) (PE0630)



20080225 haifori  
 H:書き込み禁止状態 (通常)  
 L:書き込み可能状態  
 \*プロトから極性が変更

20080225 haifori  
 CEC非対応のため、EEPROMを一つにして、SW後段に移動  
 容量を2Kのものに変更



U03AS MAIN [301] HDMI (SW & EDID) (PE0630)

1 2 3 4 5 6 7 8

A

B

C

D

E

F

A

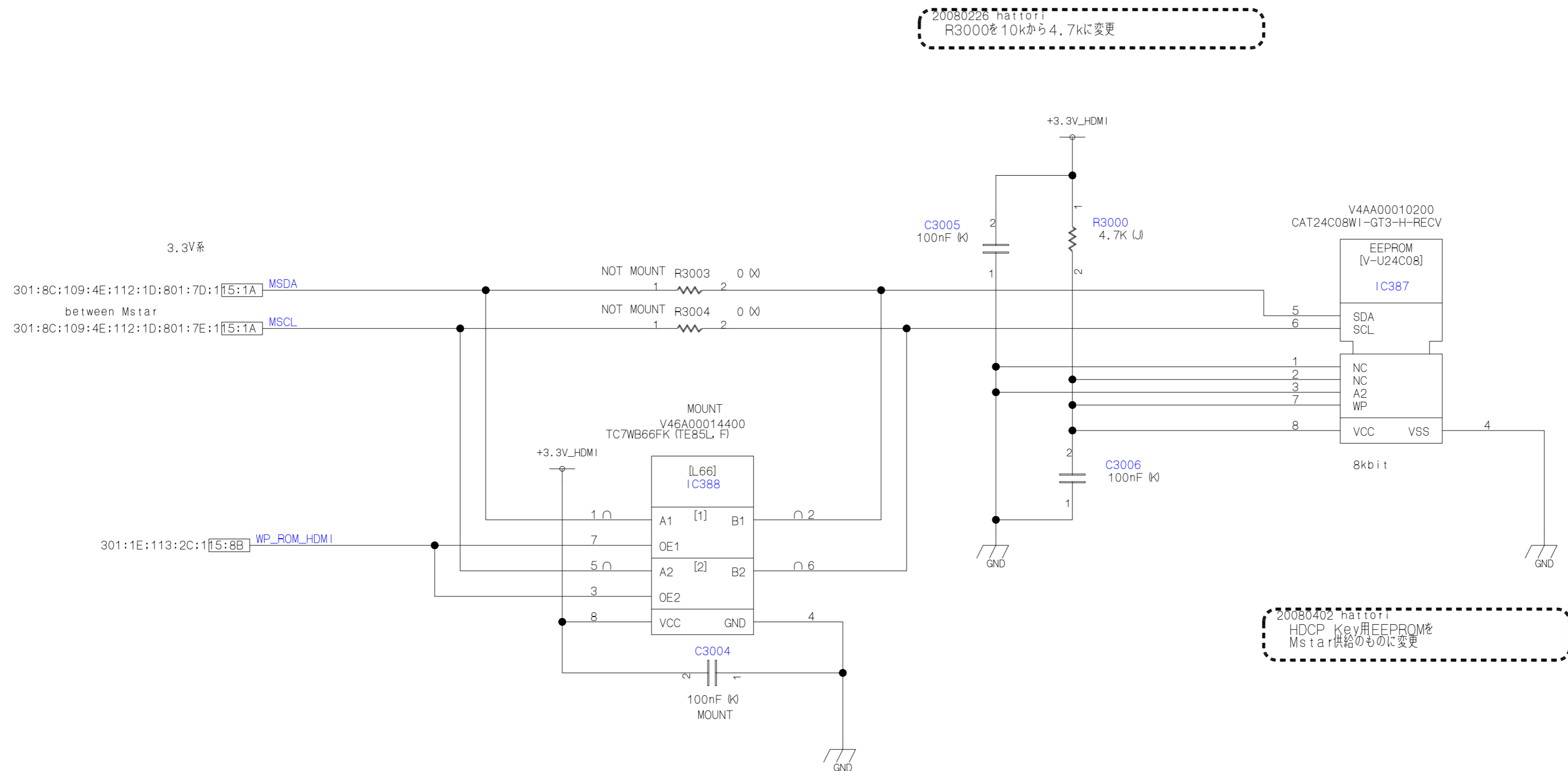
B

C

D

E

F

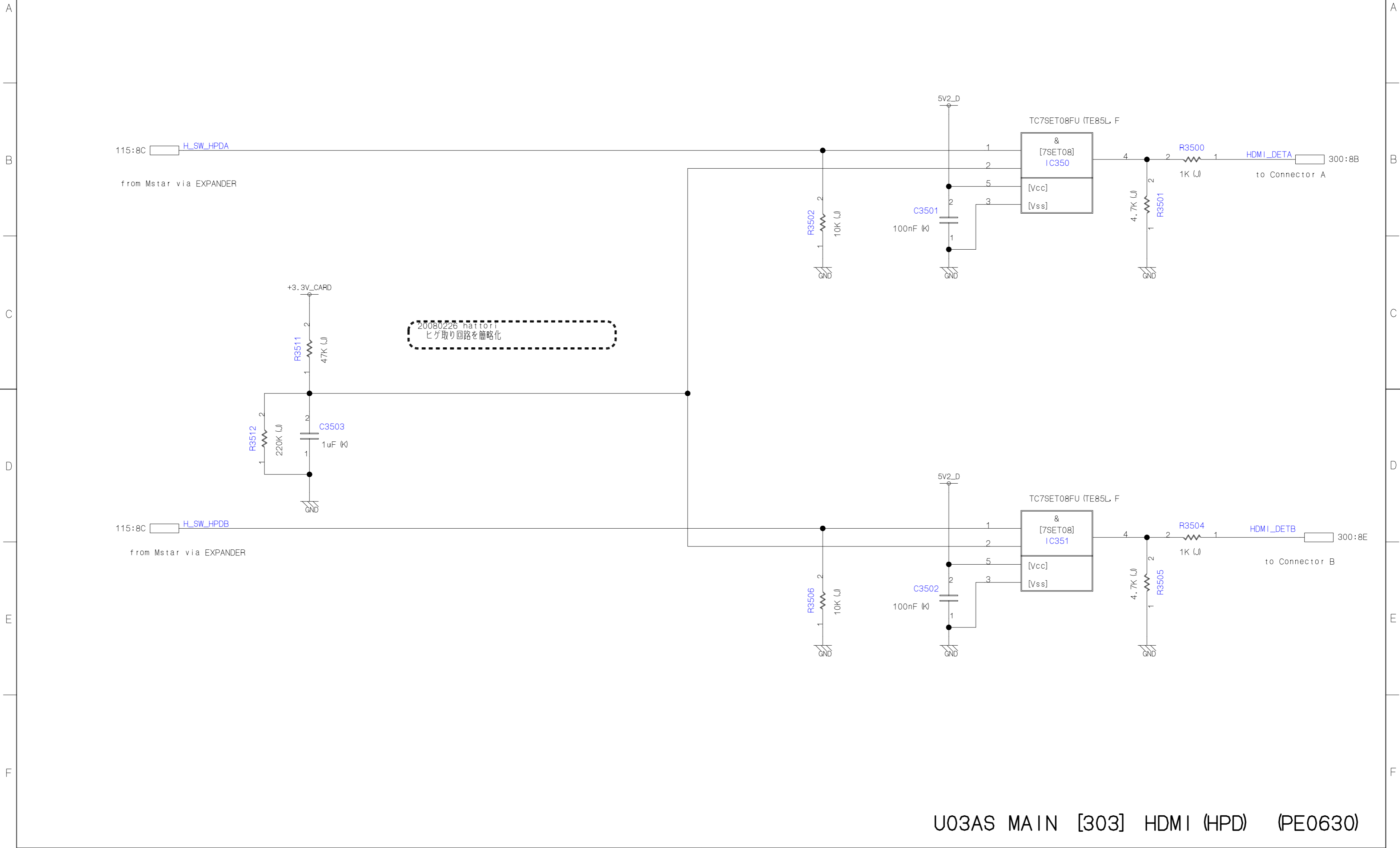


20080226 hatfori  
R3000を10kから4.7kに変更

20080402 hatfori  
HDCP\_Key用EEPROMを  
Mstar供給のものに変更

20080402 hatfori  
EDID用EEPROMと同時にアクセスしないよう、  
アナログスイッチを追加

1 2 3 4 5 6 7 8

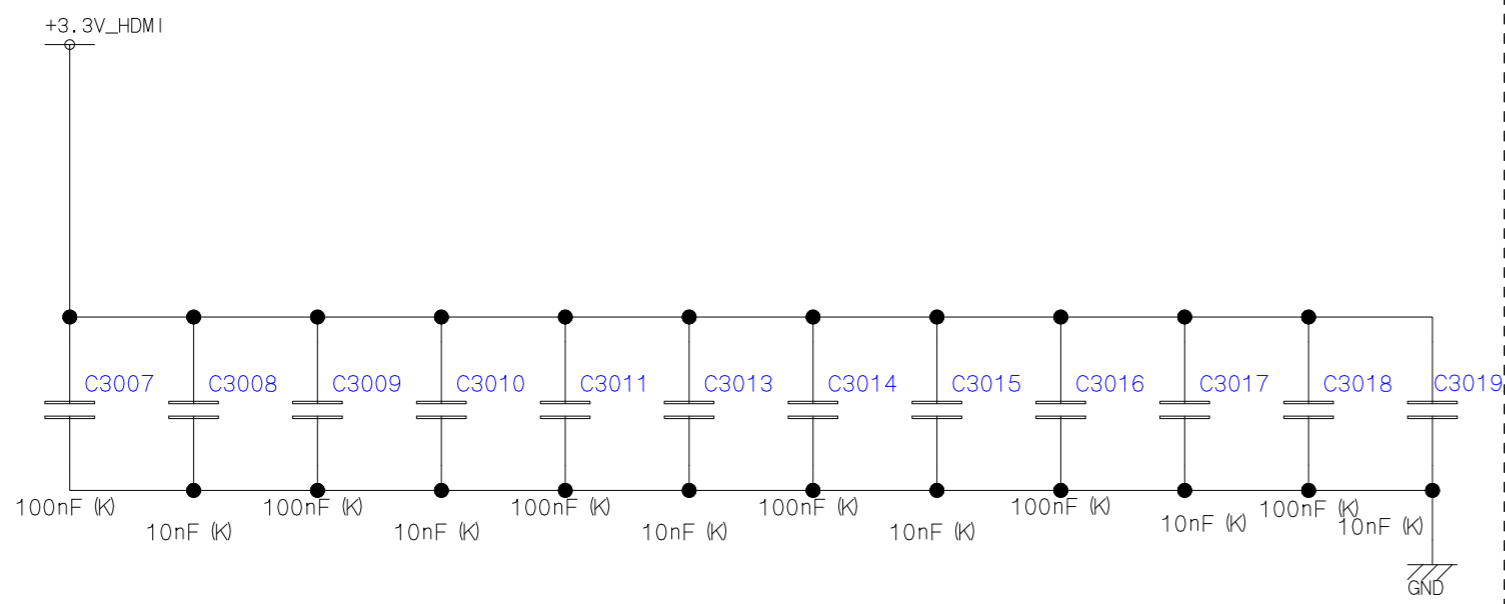




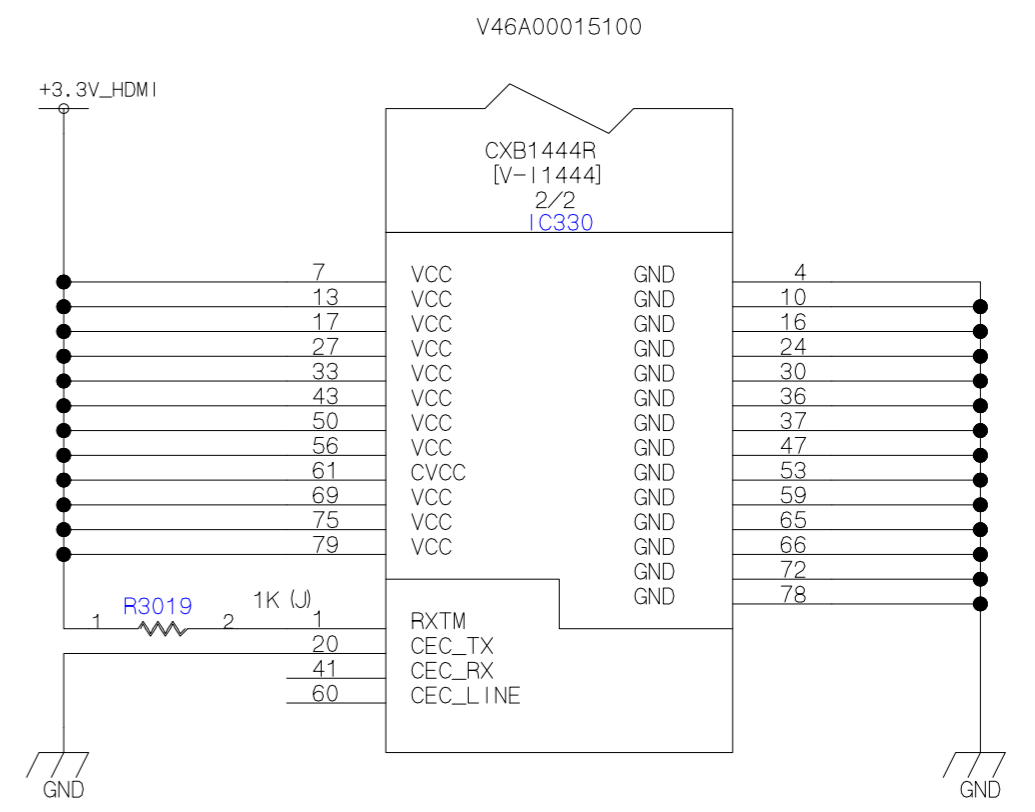
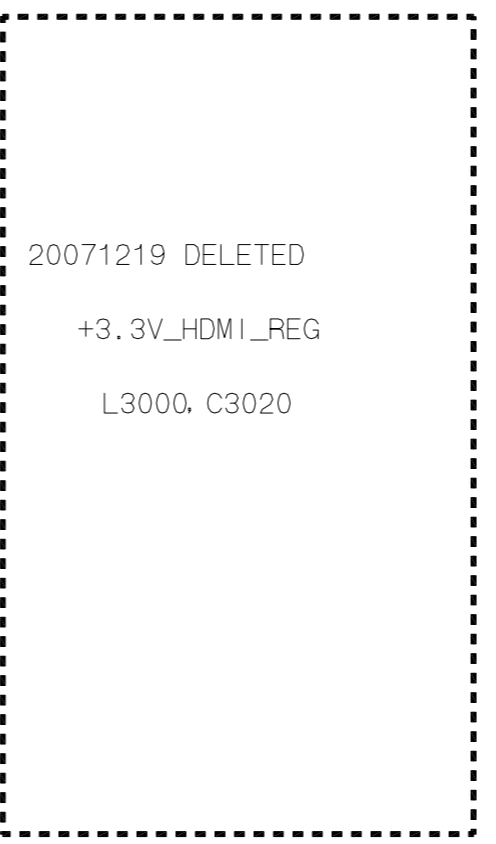
1 2 3 4 5 6 7 8

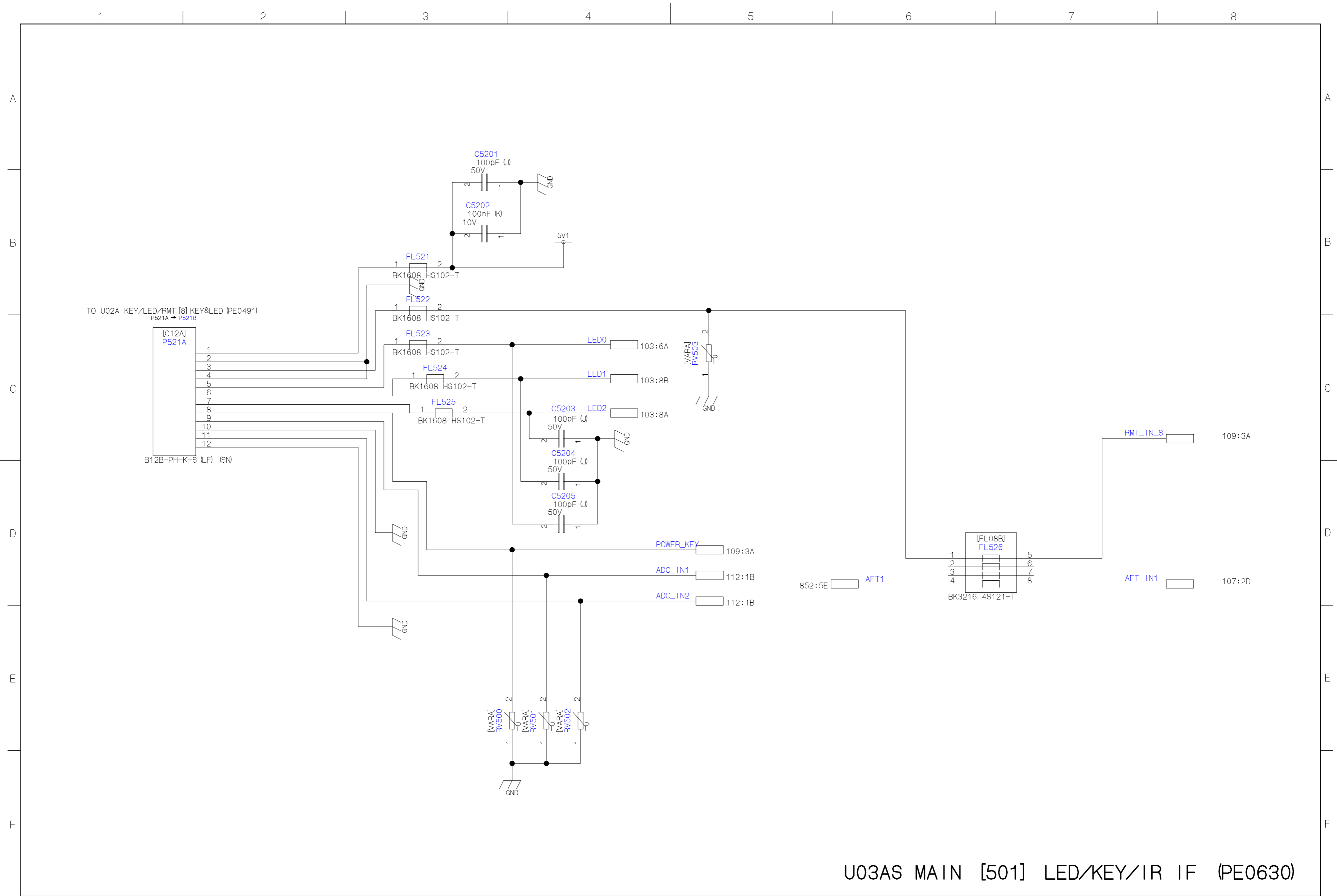
A  
B  
C  
D  
E  
F

A  
B  
C  
D  
E  
F

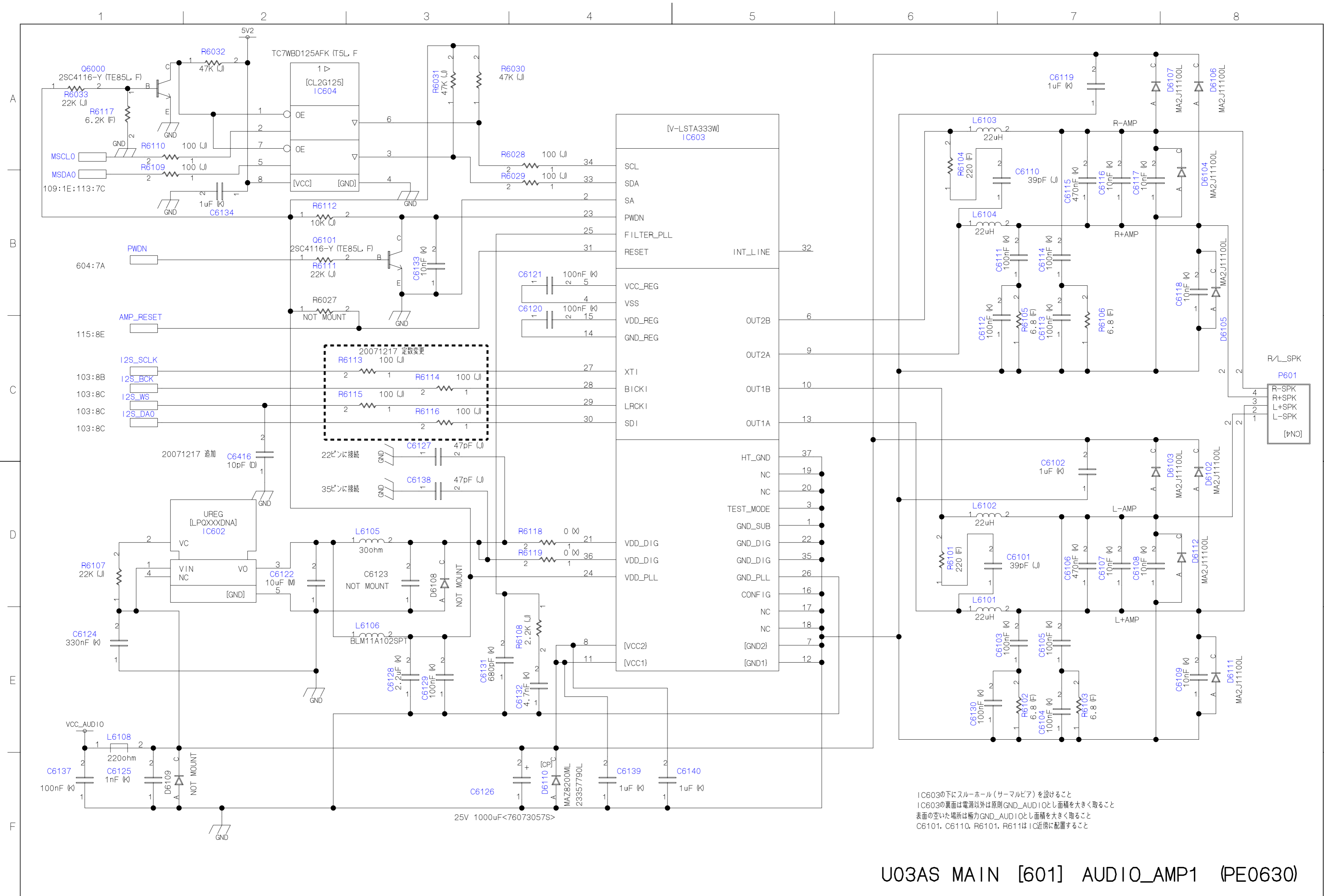


THESE ARE ALL FOR IC330 VCC-GND

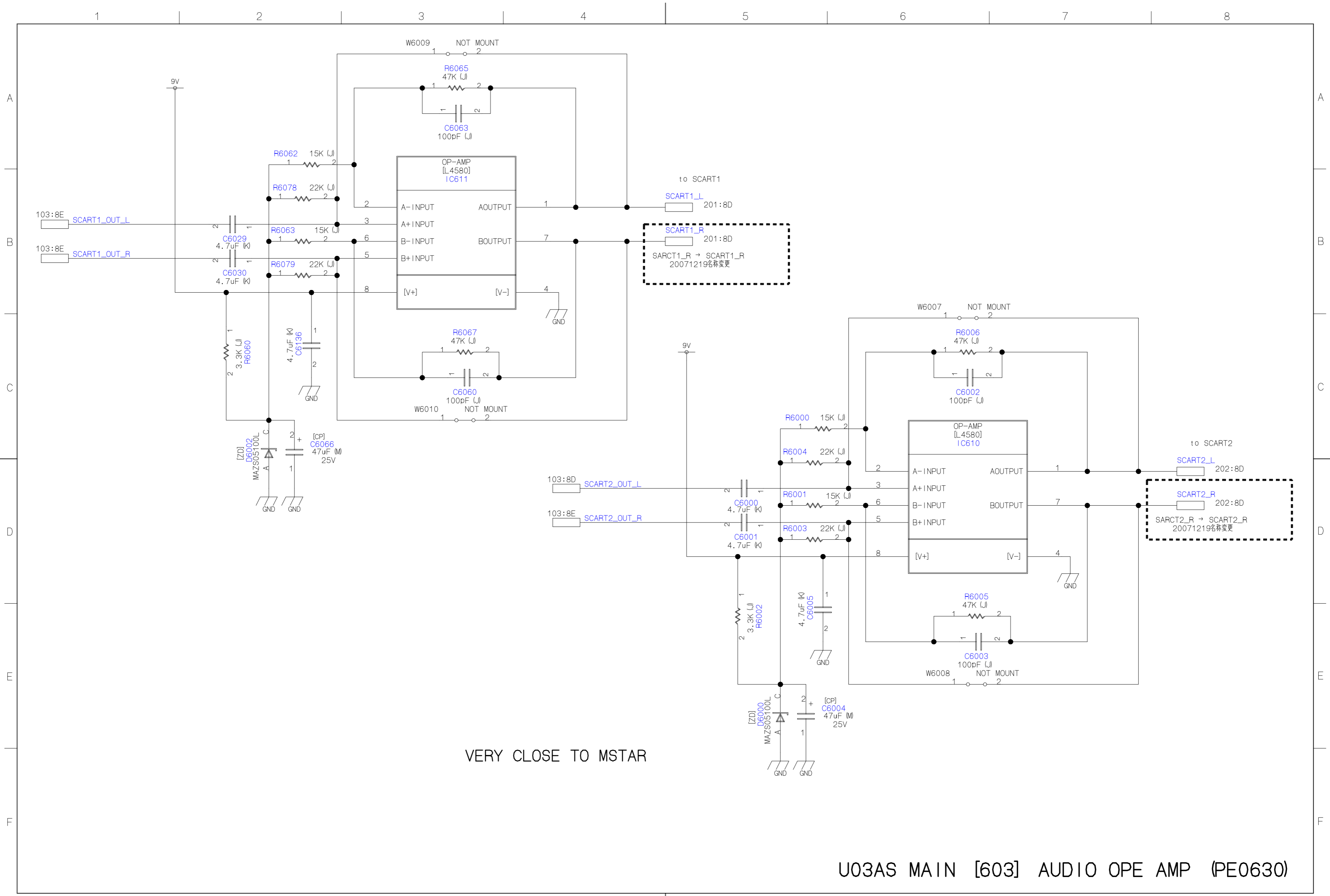




U03AS MAIN [501] LED/KEY/IR IF (PE0630)

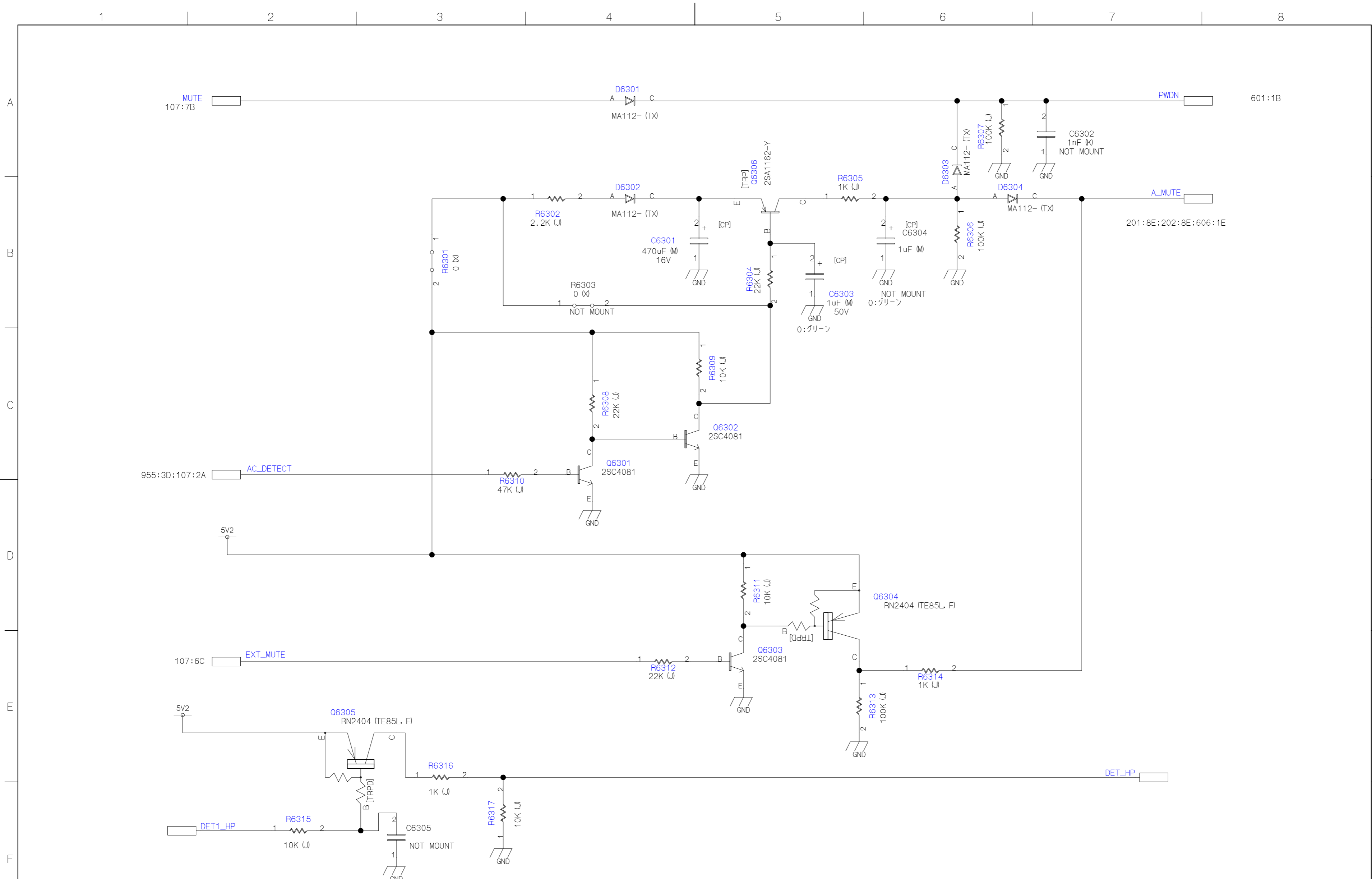


U03AS MAIN [601] AUDIO\_AMP1 (PE0630)



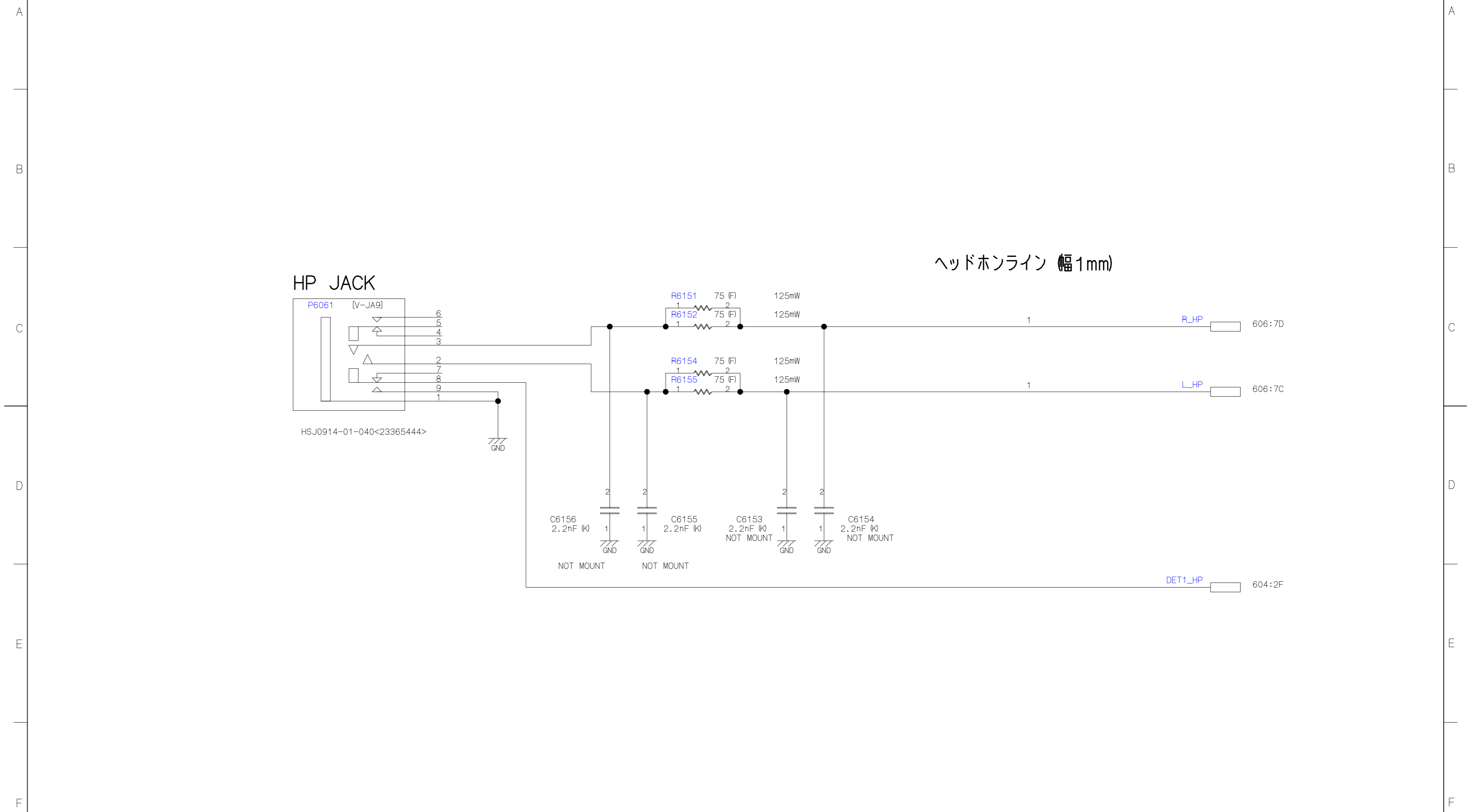
VERY CLOSE TO MSTAR

U03AS MAIN [603] AUDIO OPE AMP (PE0630)

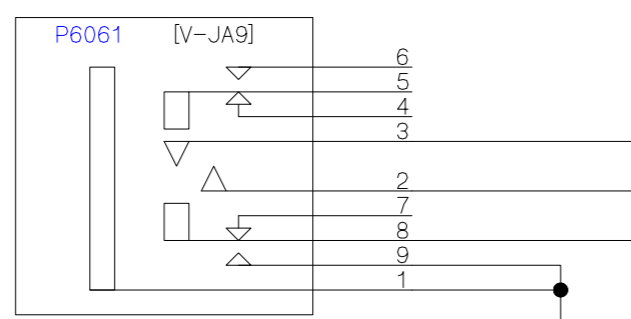


U03AS MAIN [604] AUDIO\_MUTE (PE0630)

1 2 3 4 5 6 7 8



HP JACK



HSJ0914-01-040<23365444>

GND

C6156  
2.2nF (K)

C6155  
2.2nF (K)

C6153  
2.2nF (K)  
NOT MOUNT

C6154  
2.2nF (K)  
NOT MOUNT

NOT MOUNT

NOT MOUNT

NOT MOUNT

NOT MOUNT

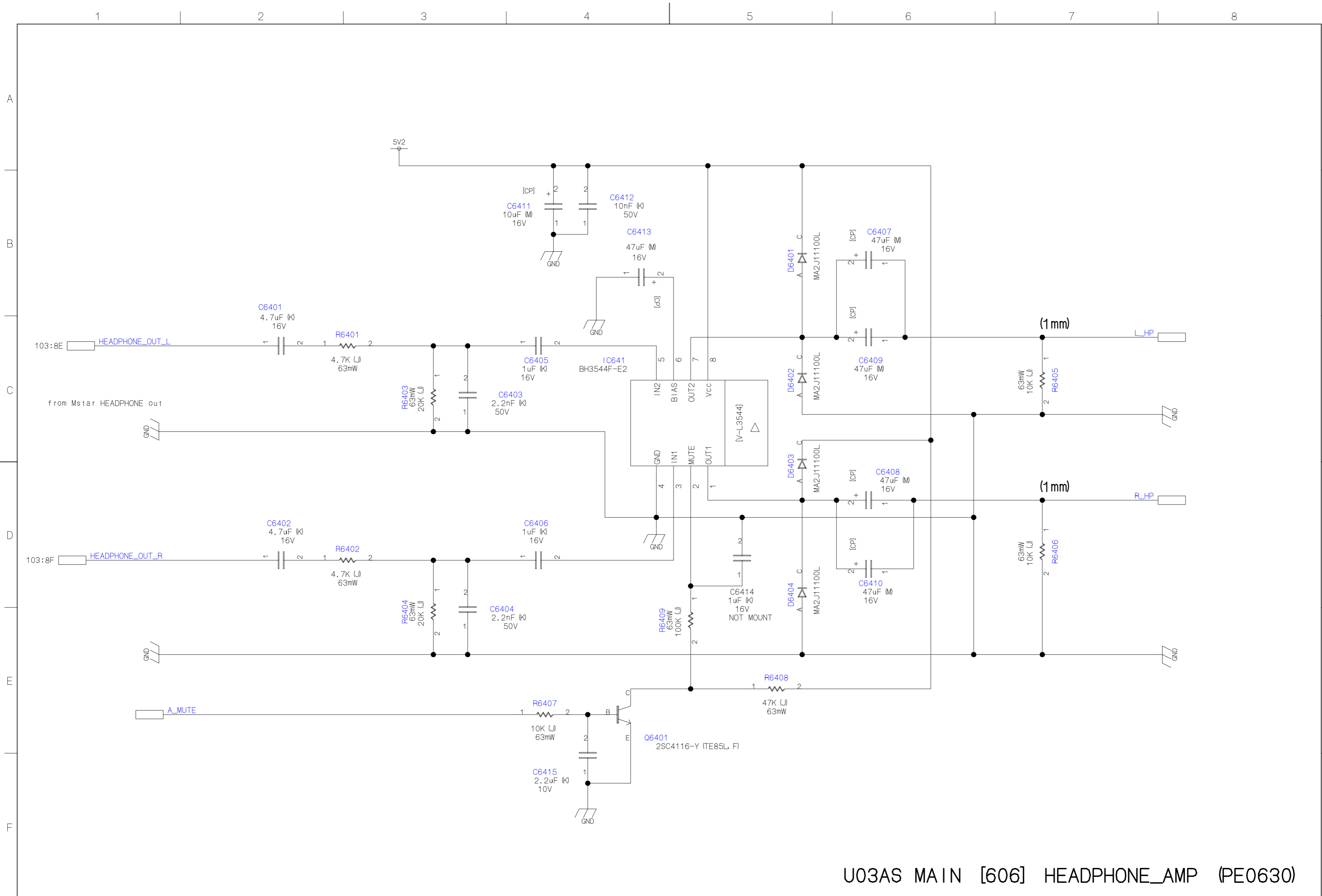
ヘッドホンライン (幅1mm)

R\_HP 606:7D

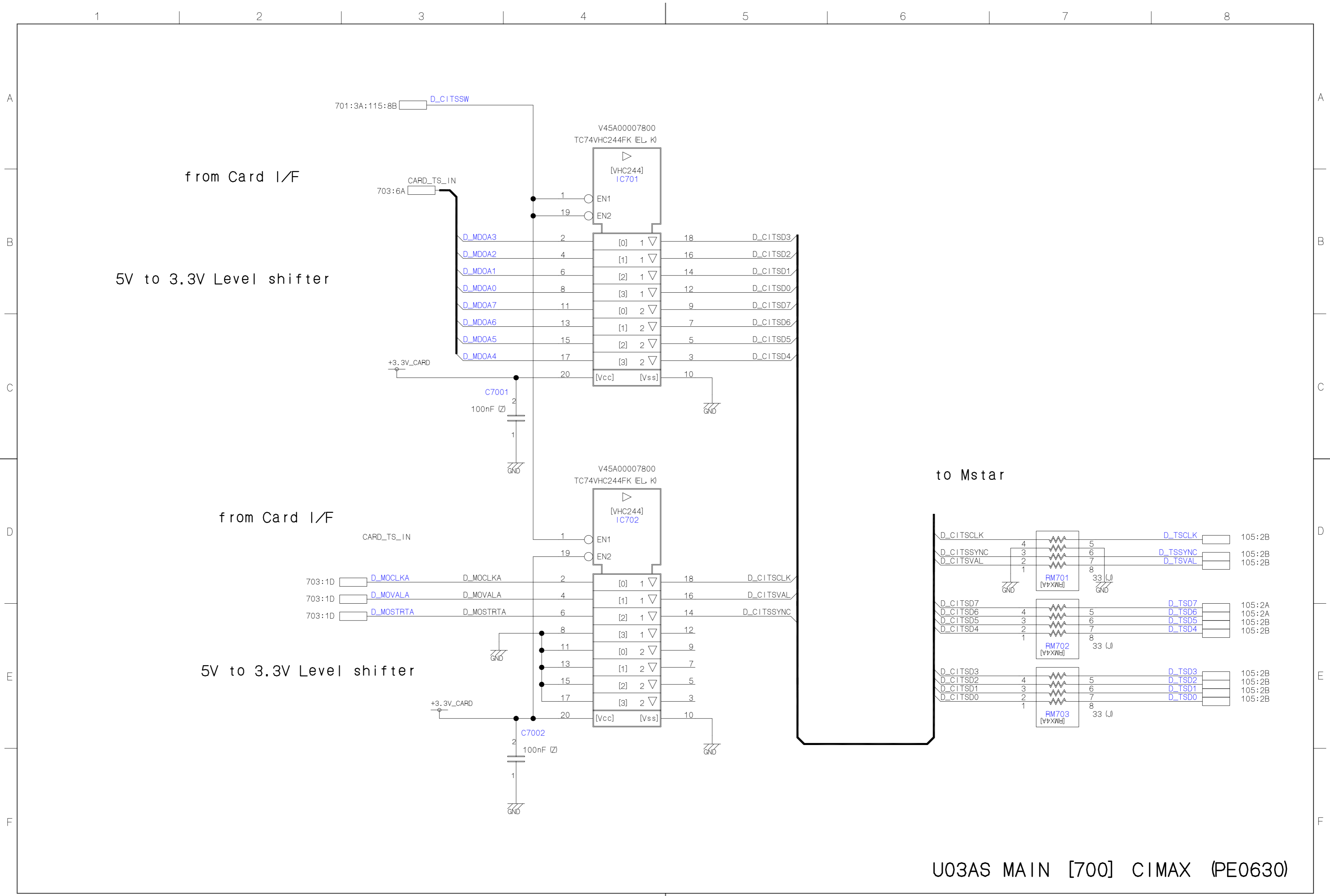
L\_HP 606:7C

DET1\_HP 604:2F

U03AS MAIN [605] HP-OUT / PC-IN (PE0630)



U03AS MAIN [606] HEADPHONE\_AMP (PE0630)



from Card I/F

5V to 3.3V Level shifter

from Card I/F

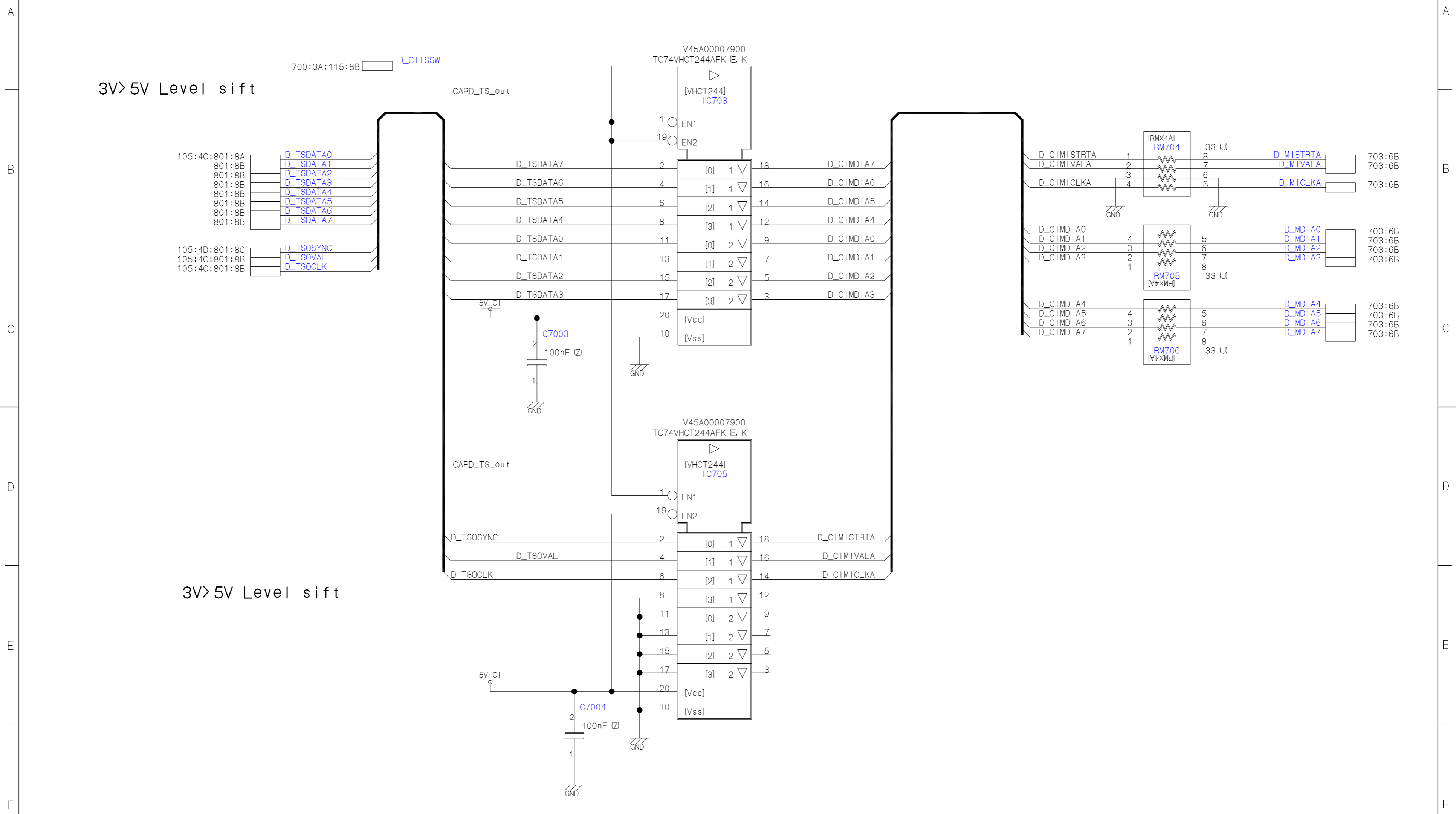
5V to 3.3V Level shifter

to Mstar

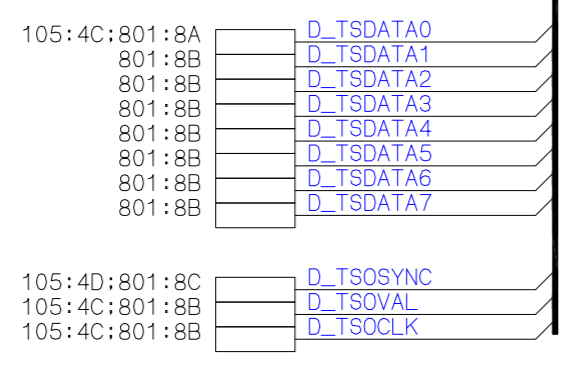
U03AS MAIN [700] CIMAX (PE0630)



1 2 3 4 5 6 7 8



3V>5V Level sift



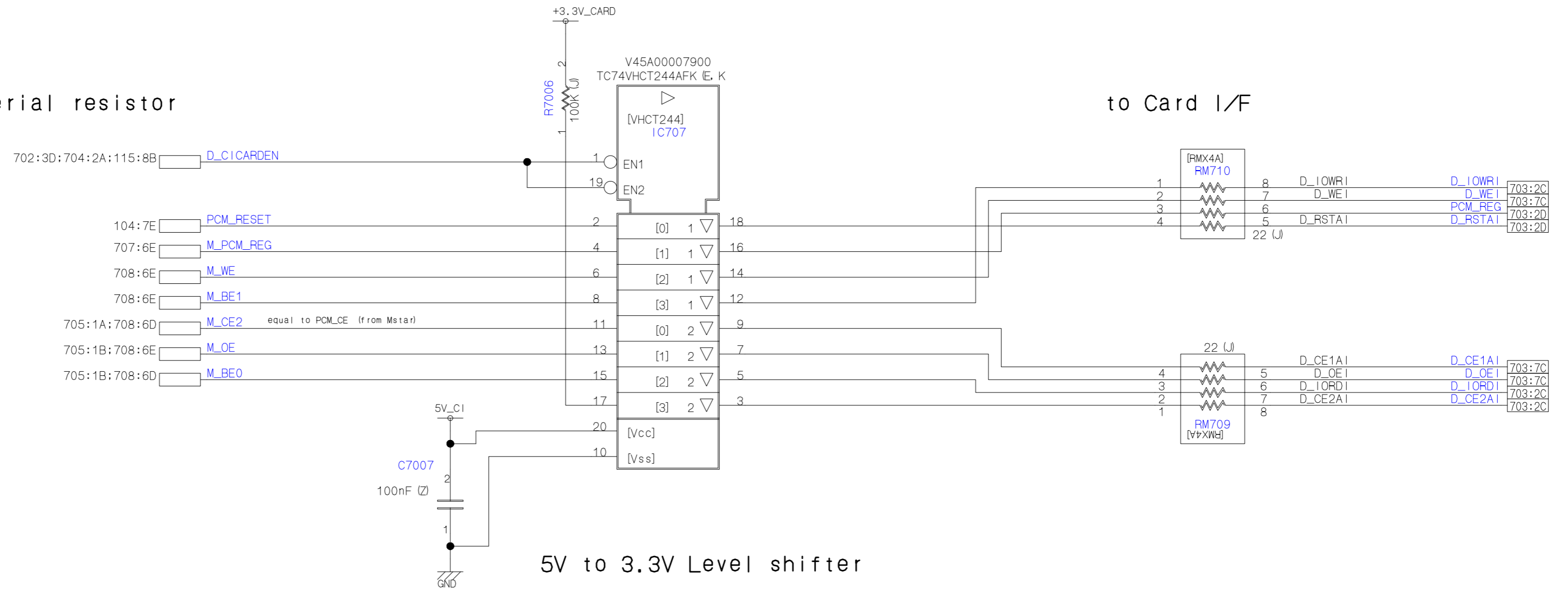
3V>5V Level sift

電源名称要確認

from Mstar via serial resistor

### 3.3V to 5V Level shifter

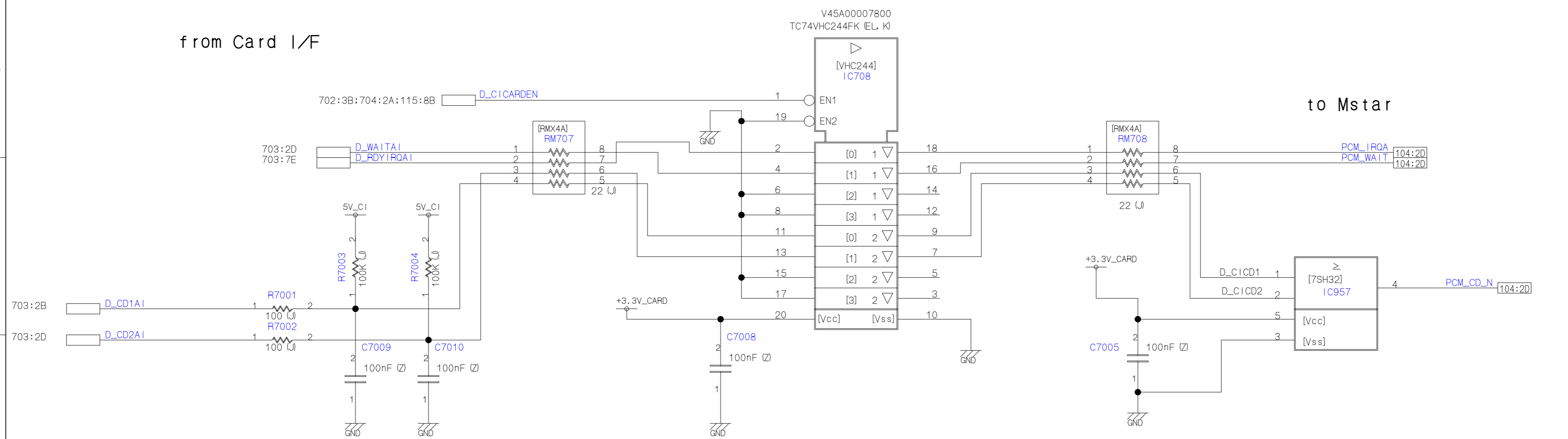
to Card I/F

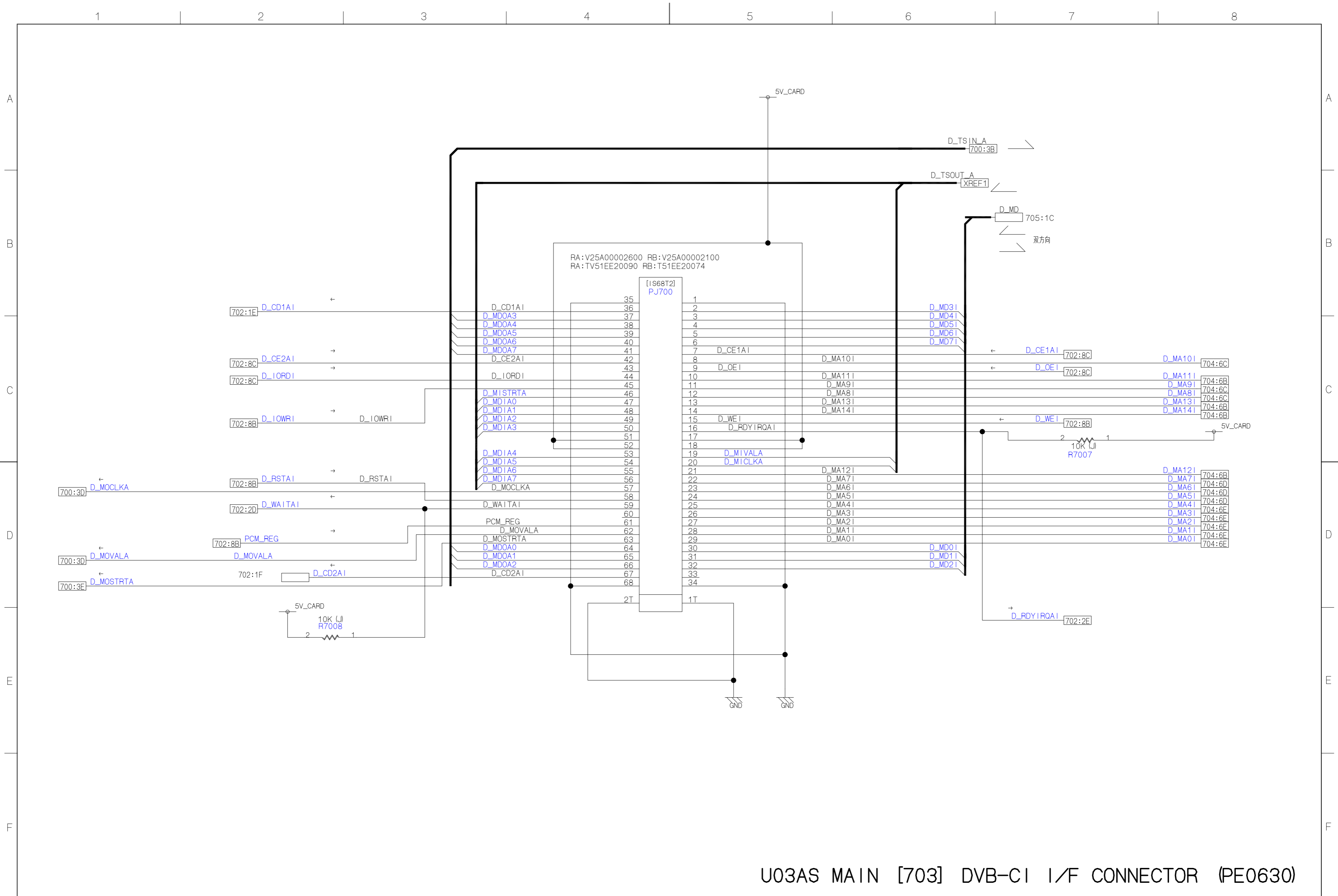


### 5V to 3.3V Level shifter

from Card I/F

to Mstar





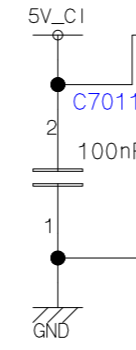
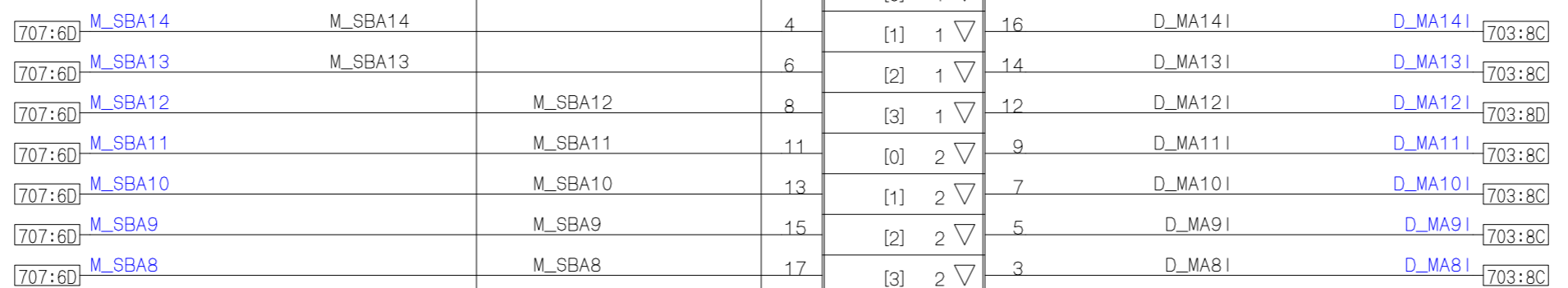
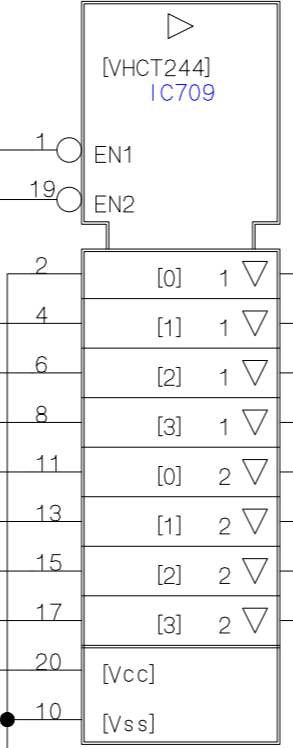
U03AS MAIN [703] DVB-CI I/F CONNECTOR (PE0630)

1 2 3 4 5 6 7 8

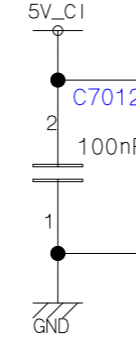
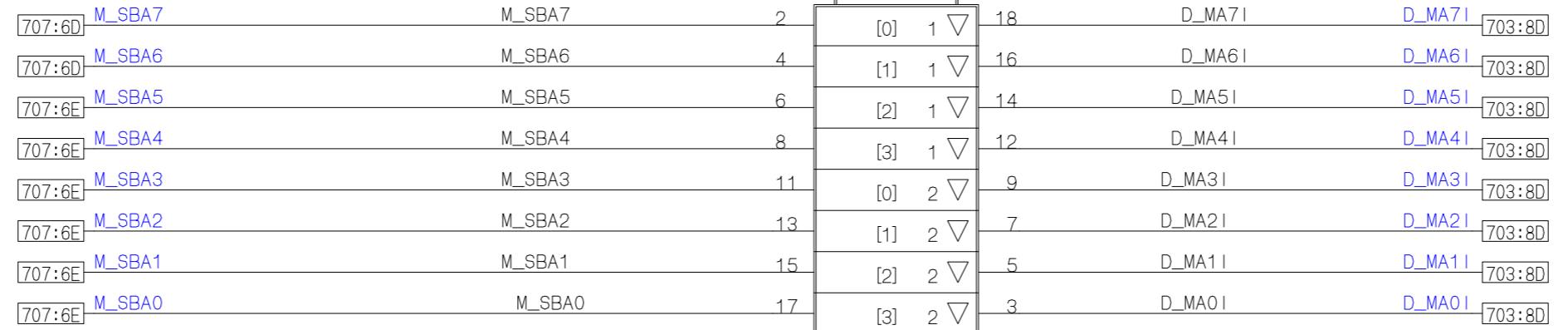
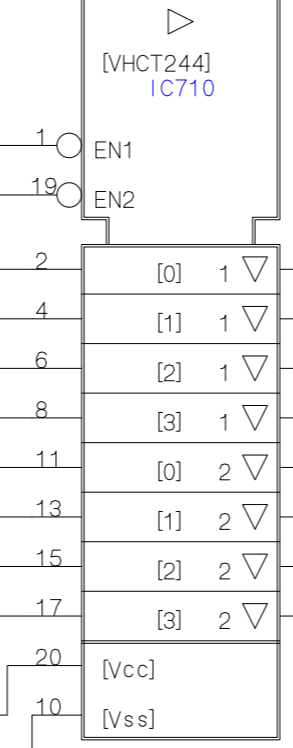
3V to 5V Level shift

702:3B:702:3D:115:8B D\_CIGARDEN

V45A00007900  
TC74VHCT244AFK E. K



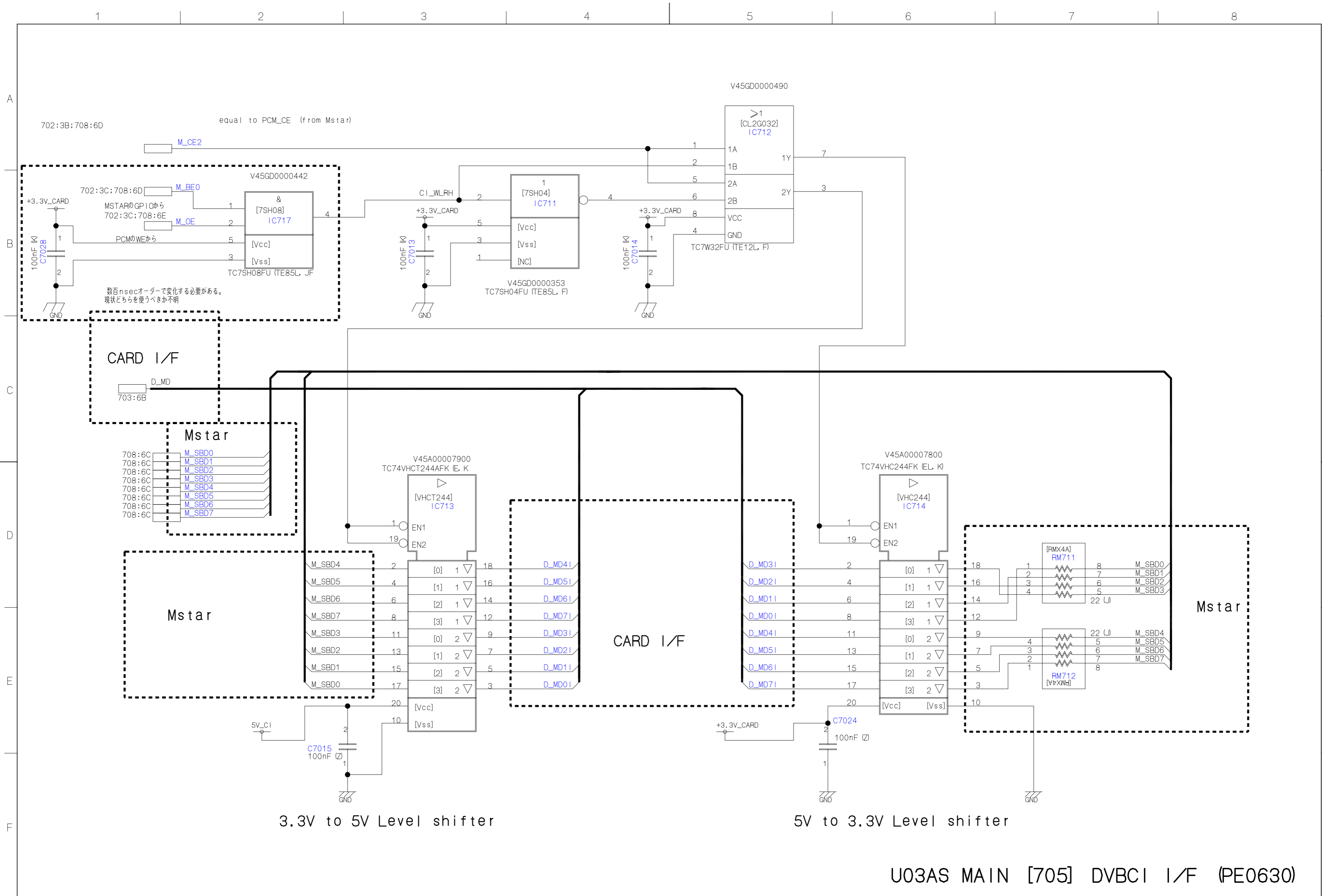
V45A00007900  
TC74VHCT244AFK E. K



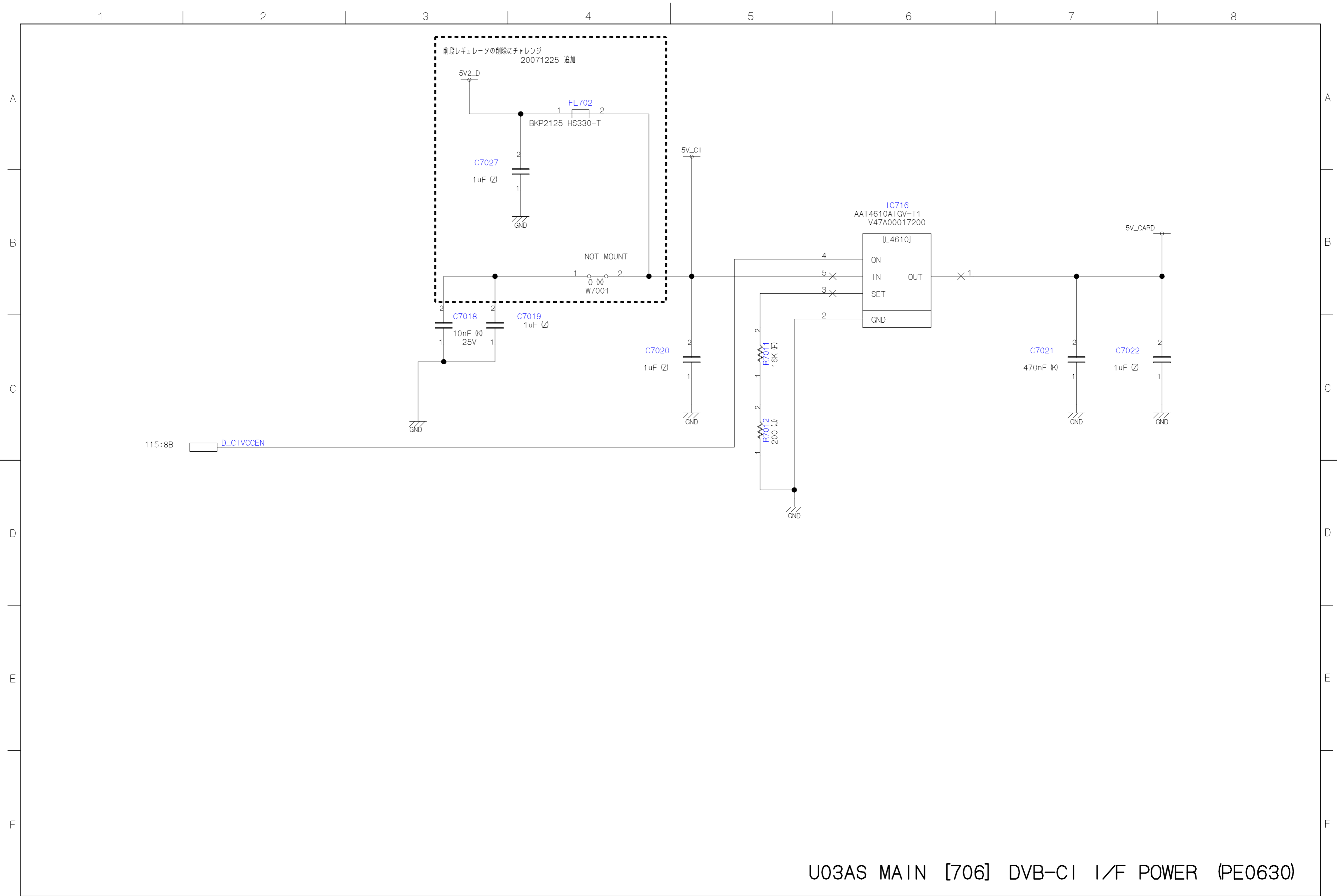
3V to 5V Level shift

from Mstar via serial resistor

to Card I/F address bus input



U03AS MAIN [705] DVBC1 I/F (PE0630)



U03AS MAIN [706] DVB-CI I/F POWER (PE0630)

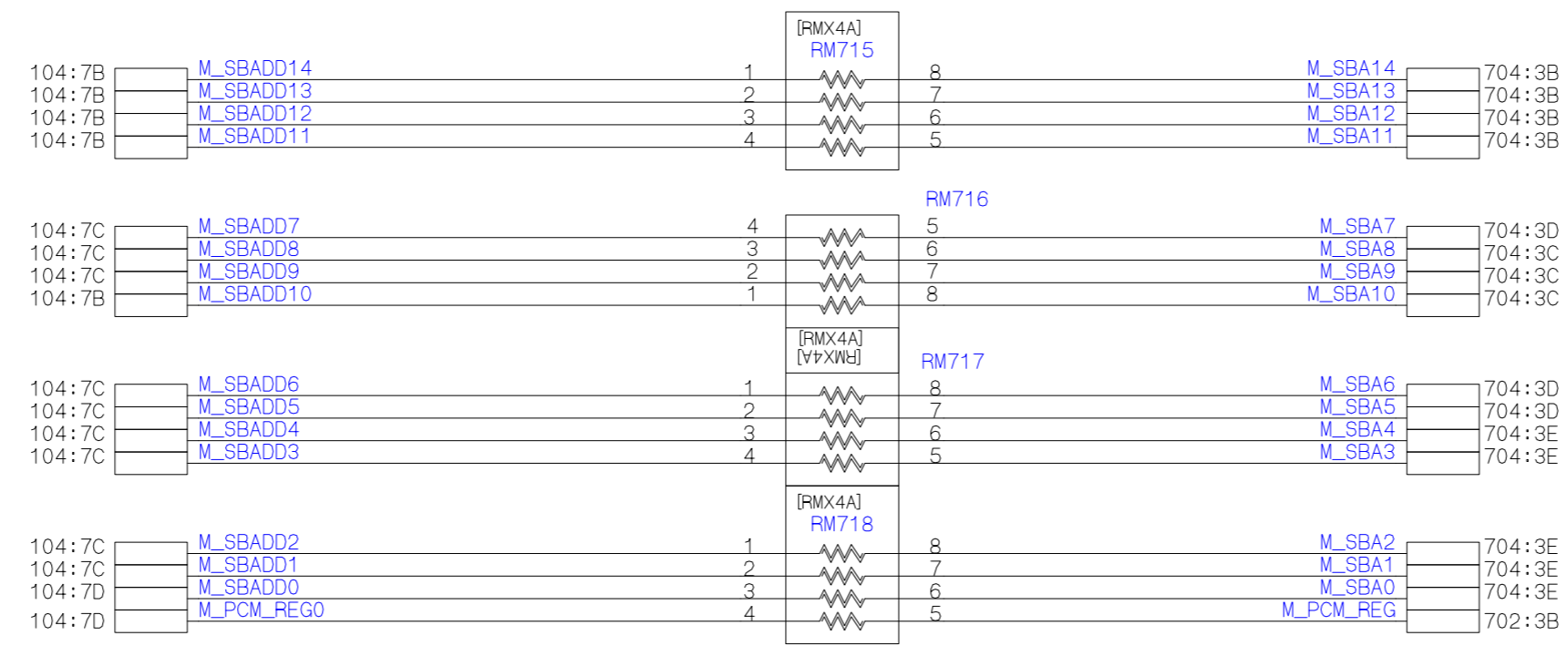
1 2 3 4 5 6 7 8

A  
B  
C  
D  
E  
F

A  
B  
C  
D  
E  
F

20071218 PULL UP PULL DOWN DELETED

20071220 +3.3V\_VDDP and R1103 DELETED



20071220 R1113 and R1120 and M\_DEBUG\_ON DELETED

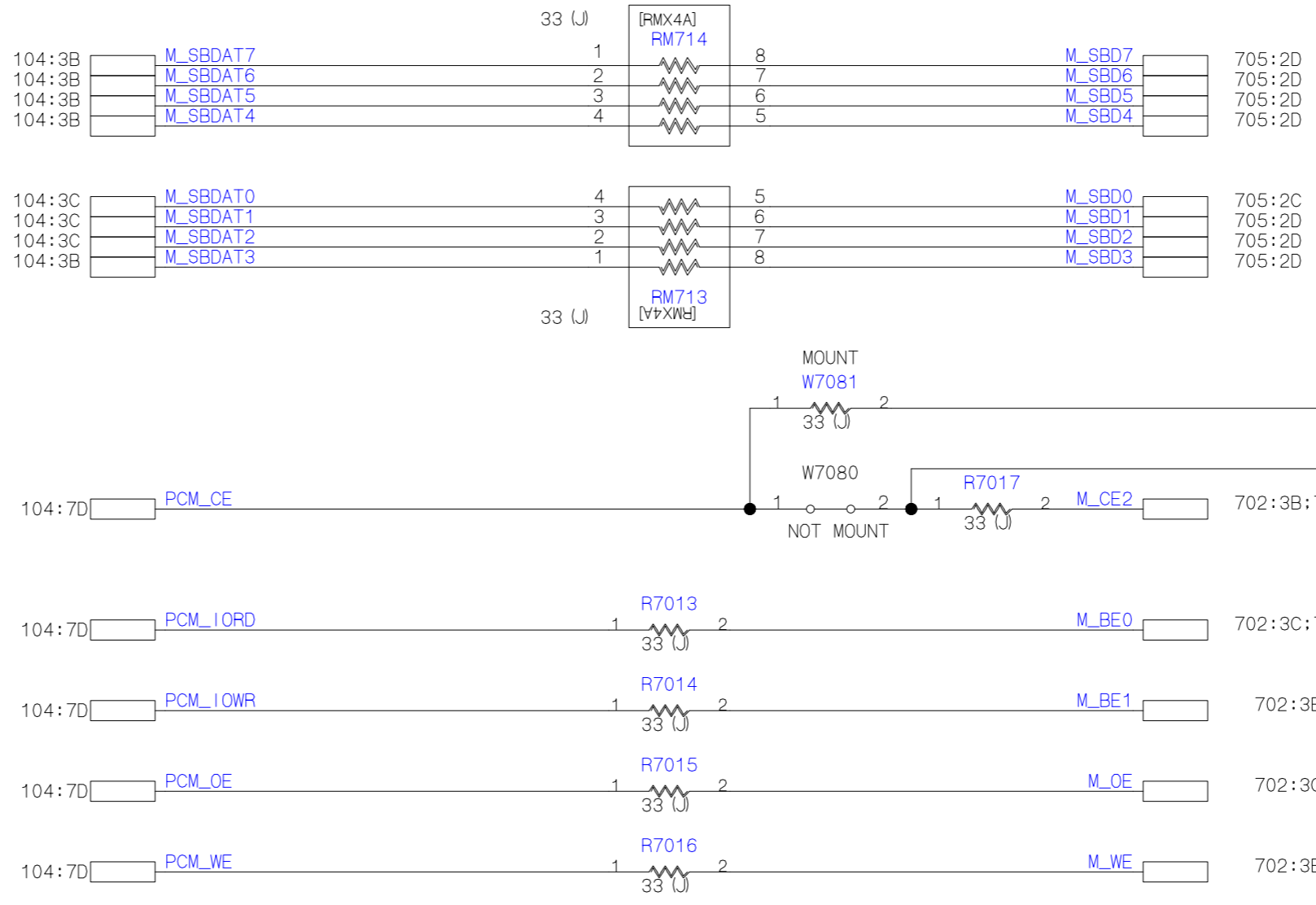
U03AS MAIN [707] SLOWBUS PIN CONFIG (PE0630)

1 2 3 4 5 6 7 8

A  
B  
C  
D  
E  
F

A  
B  
C  
D  
E  
F

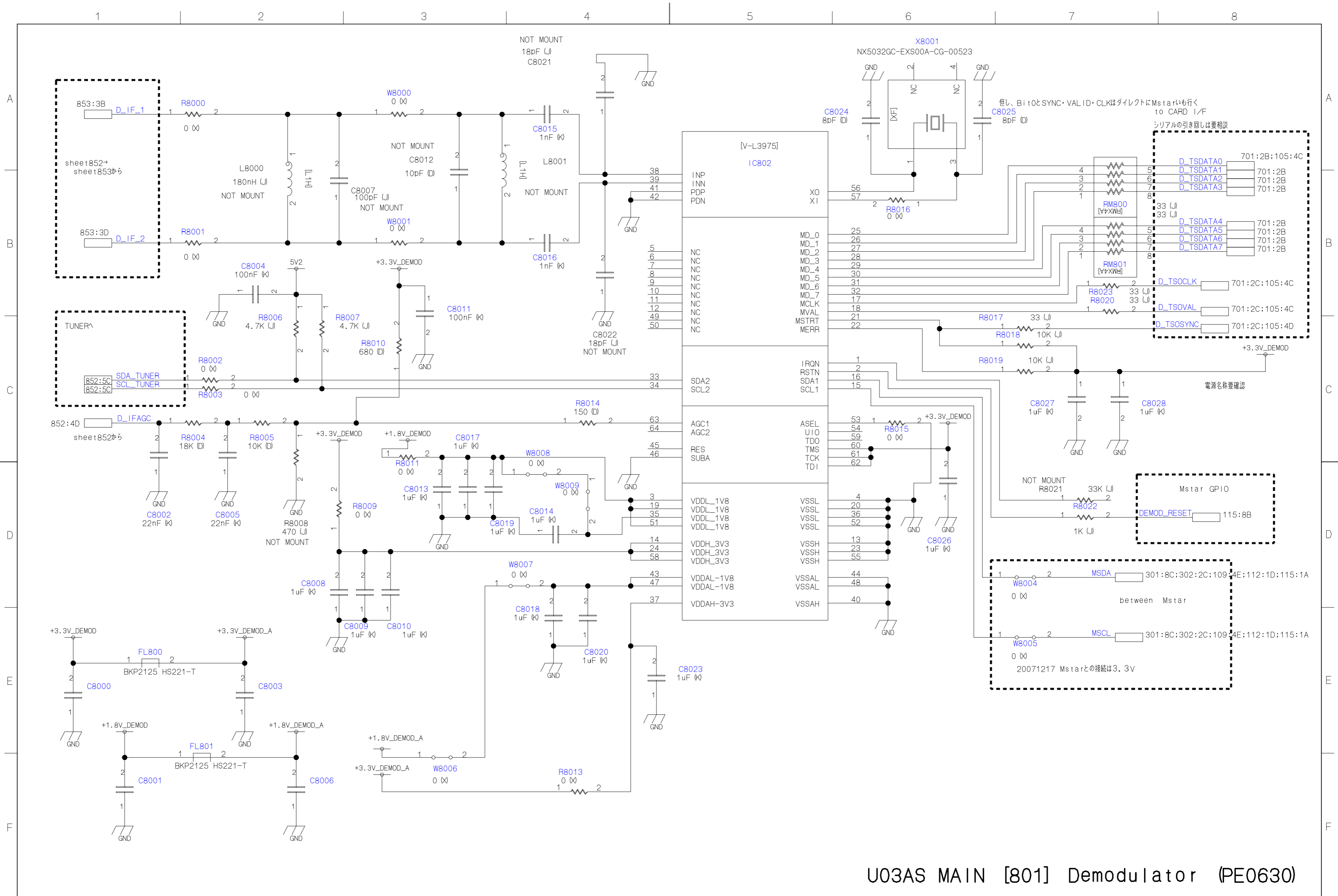
20071218 PULL UP DELETED



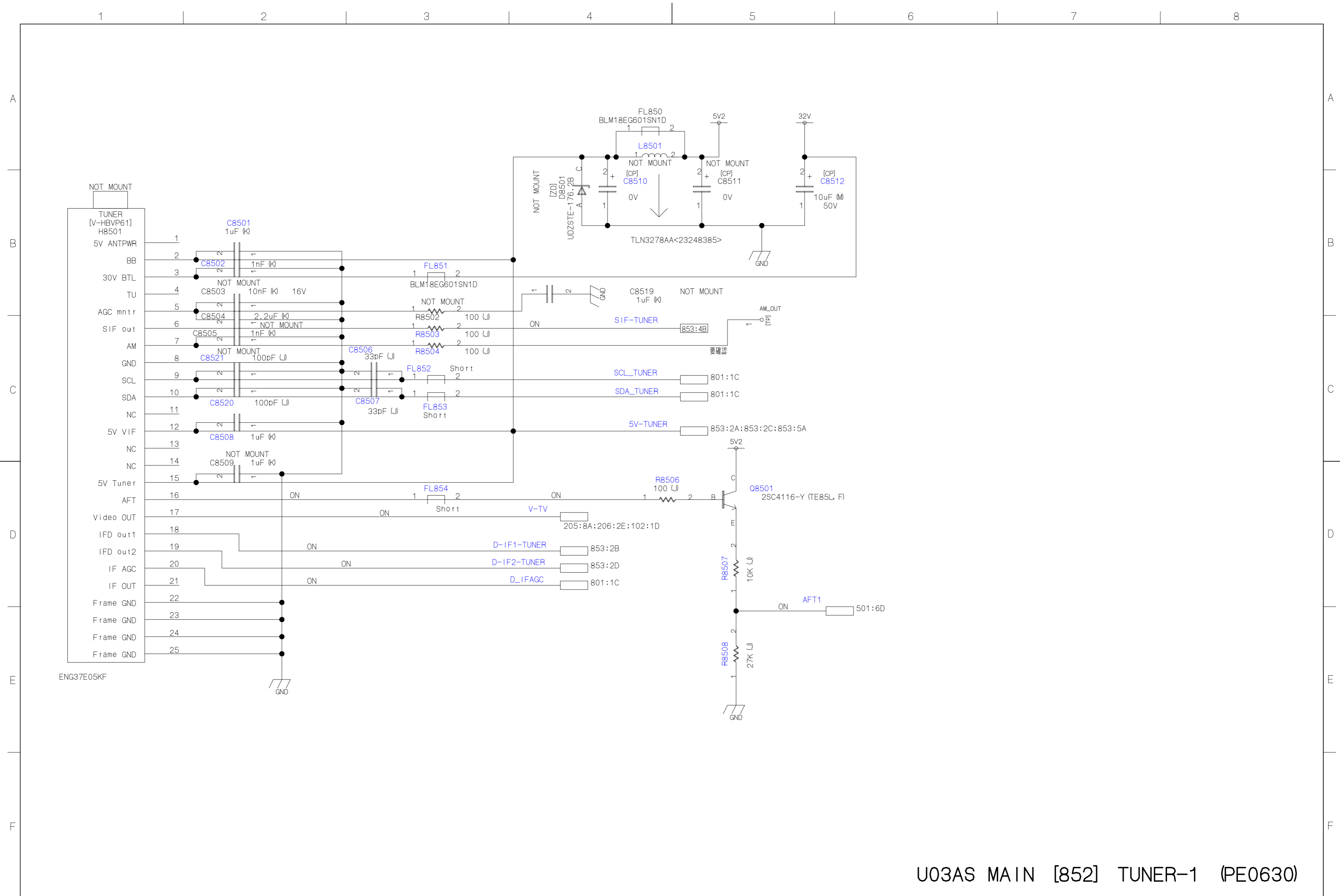
Card interface Read enable  
Card interface Write enable

U03AS MAIN [708] SLOW BUS SBD REGISTER (PE0630)

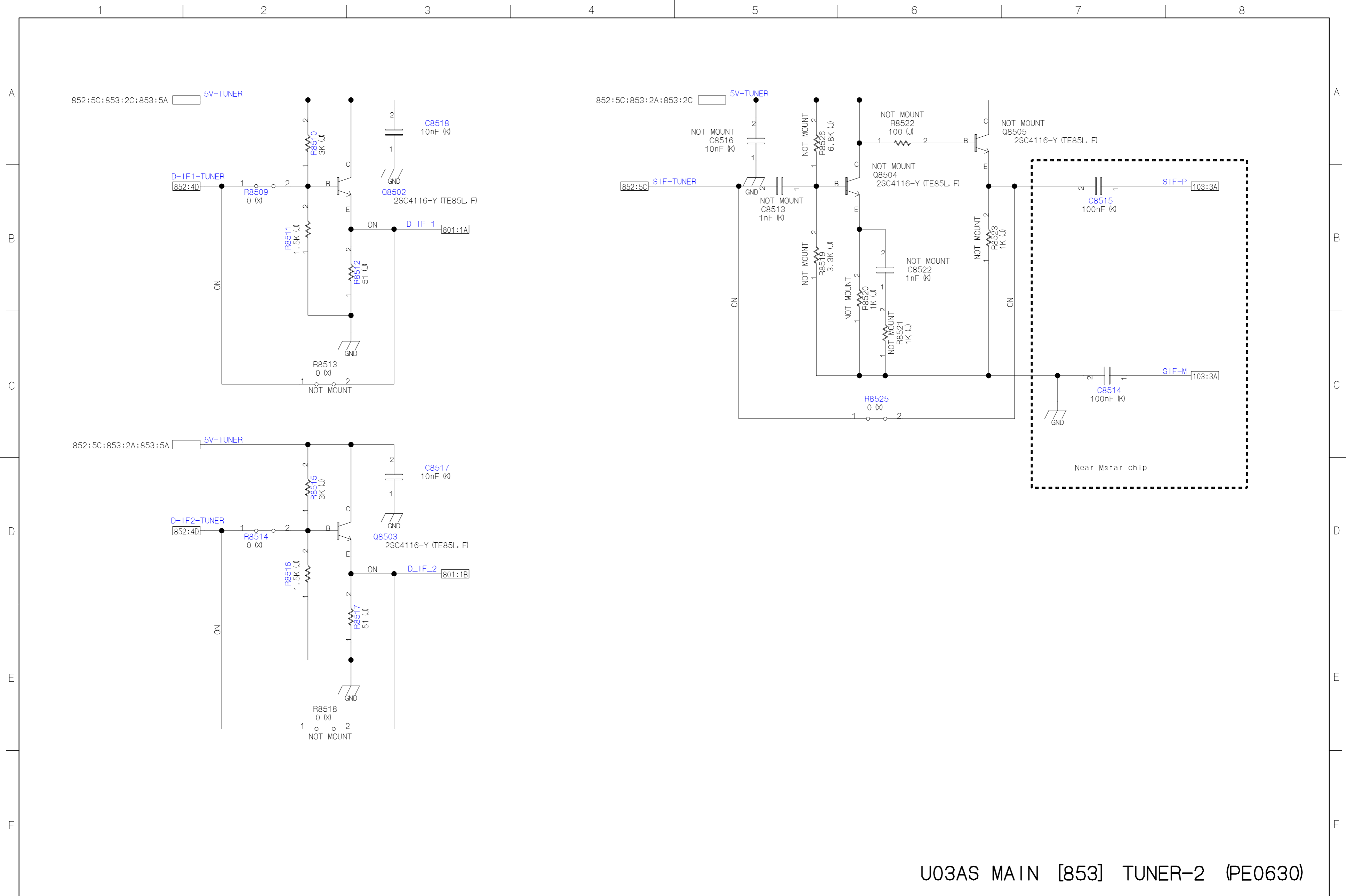


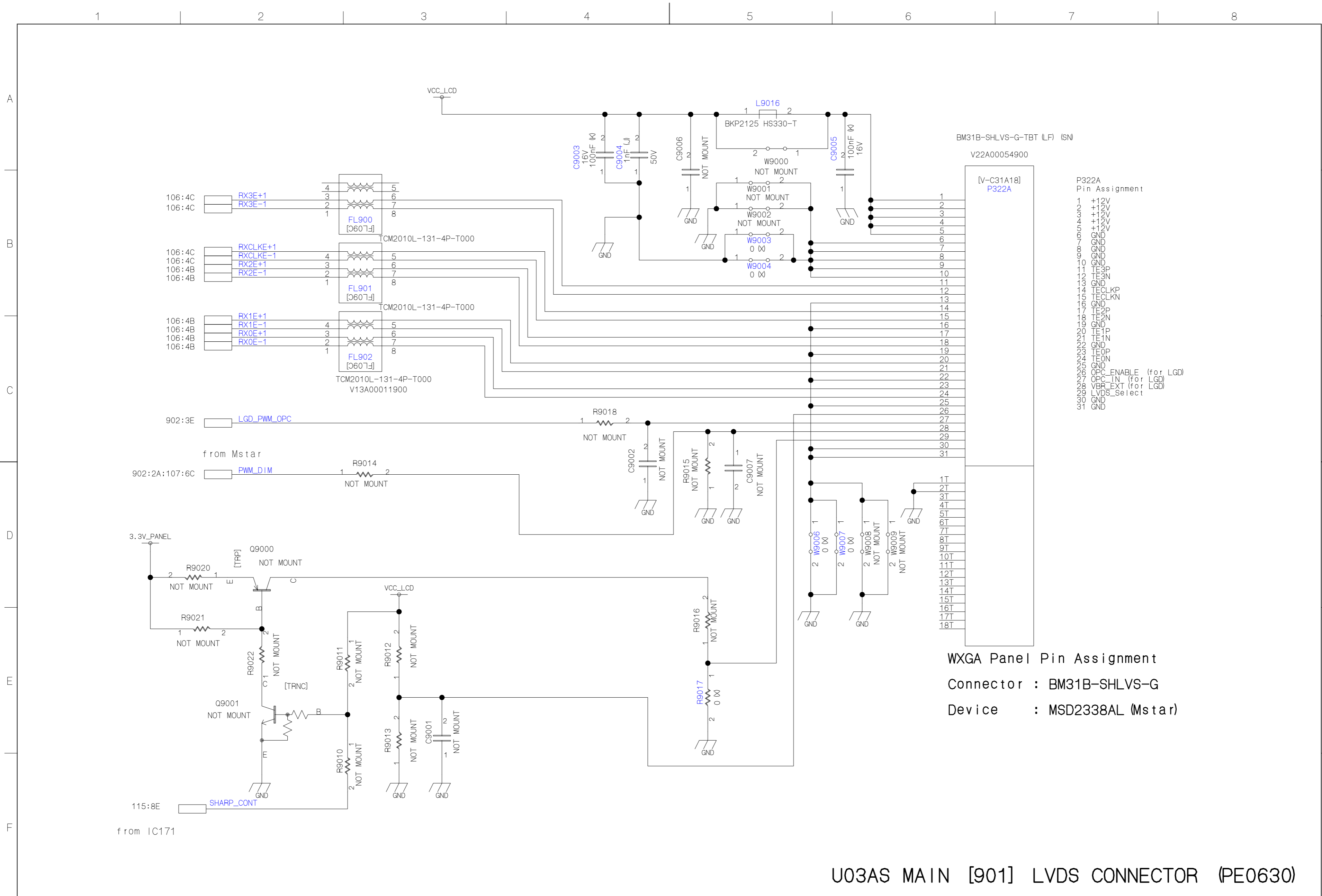


U03AS MAIN [801] Demodulator (PE0630)



U03AS MAIN [852] TUNER-1 (PE0630)



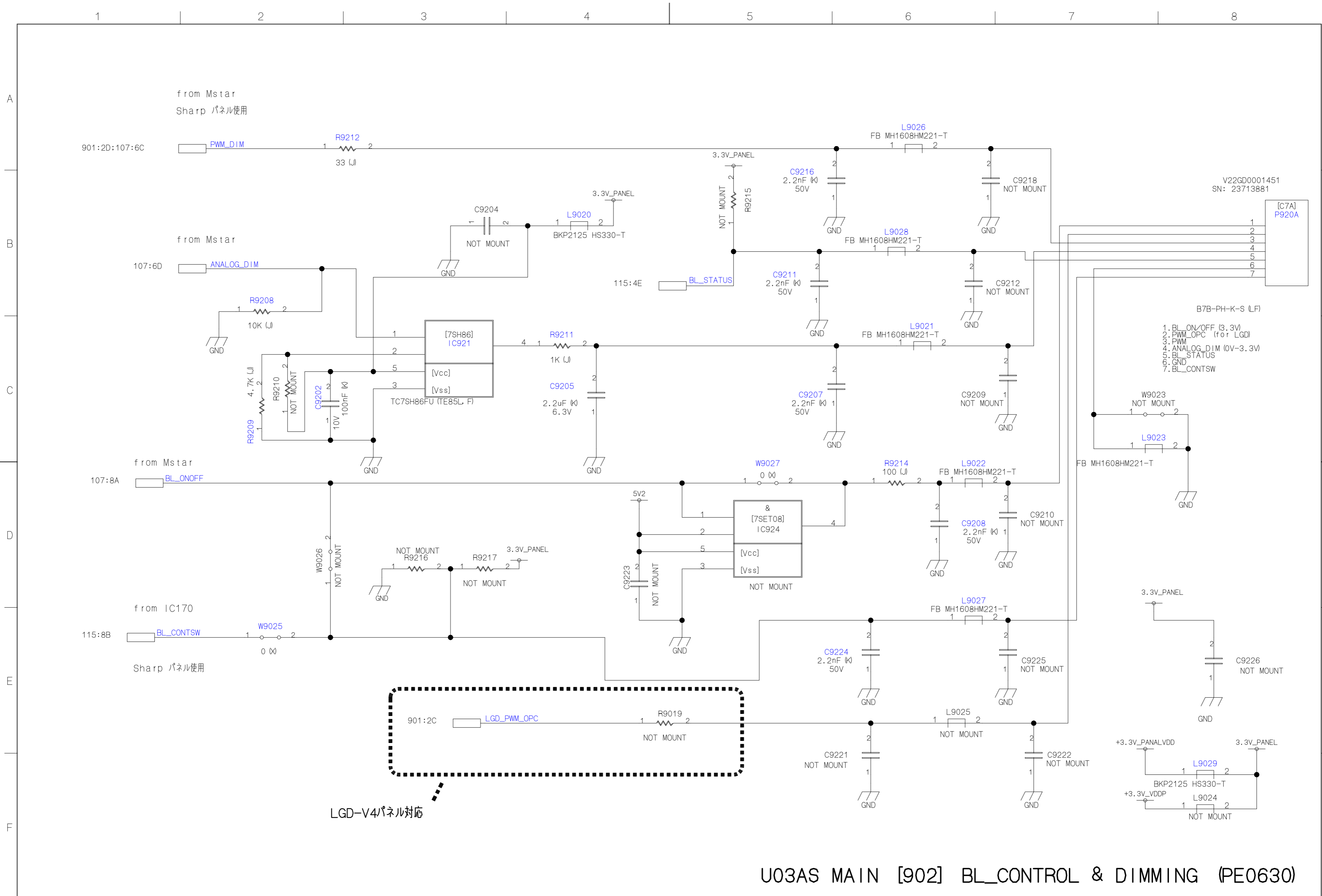


P322A  
Pin Assignment

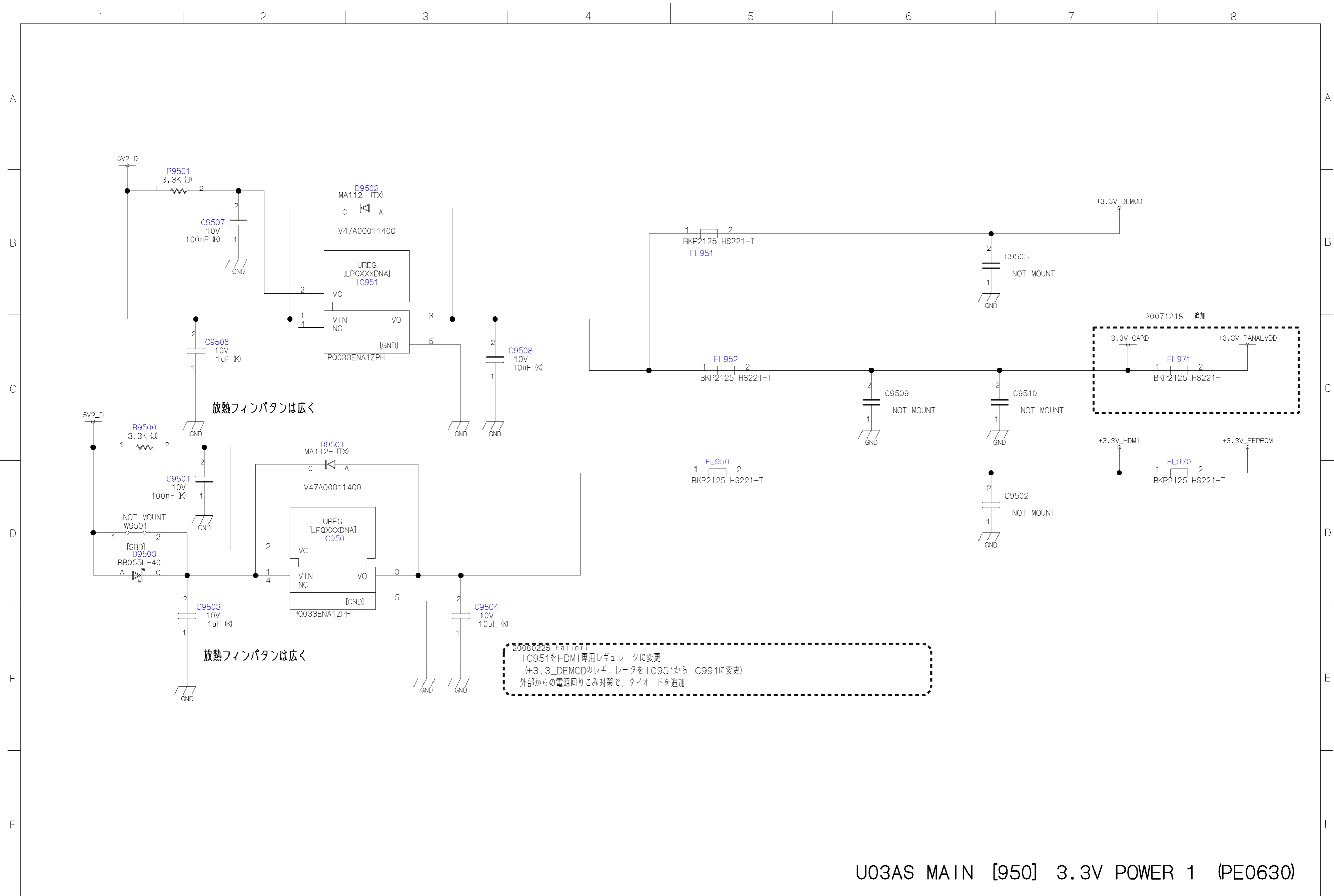
1	+12V
2	+12V
3	+12V
4	+12V
5	+12V
6	GND
7	GND
8	GND
9	GND
10	GND
11	TE2P
12	TE2N
13	GND
14	TECLKP
15	TECLKN
16	GND
17	TE2P
18	TE2N
19	GND
20	TE1P
21	TE1N
22	GND
23	TE0P
24	TE0N
25	GND
26	OPC_ENABLE (for LGD)
27	OPC_IN (for LGD)
28	VPR_EXT (for LGD)
29	LVDS_Select
30	GND
31	GND

WXGA Panel Pin Assignment  
 Connector : BM31B-SHLVS-G  
 Device : MSD2338AL (Mstar)

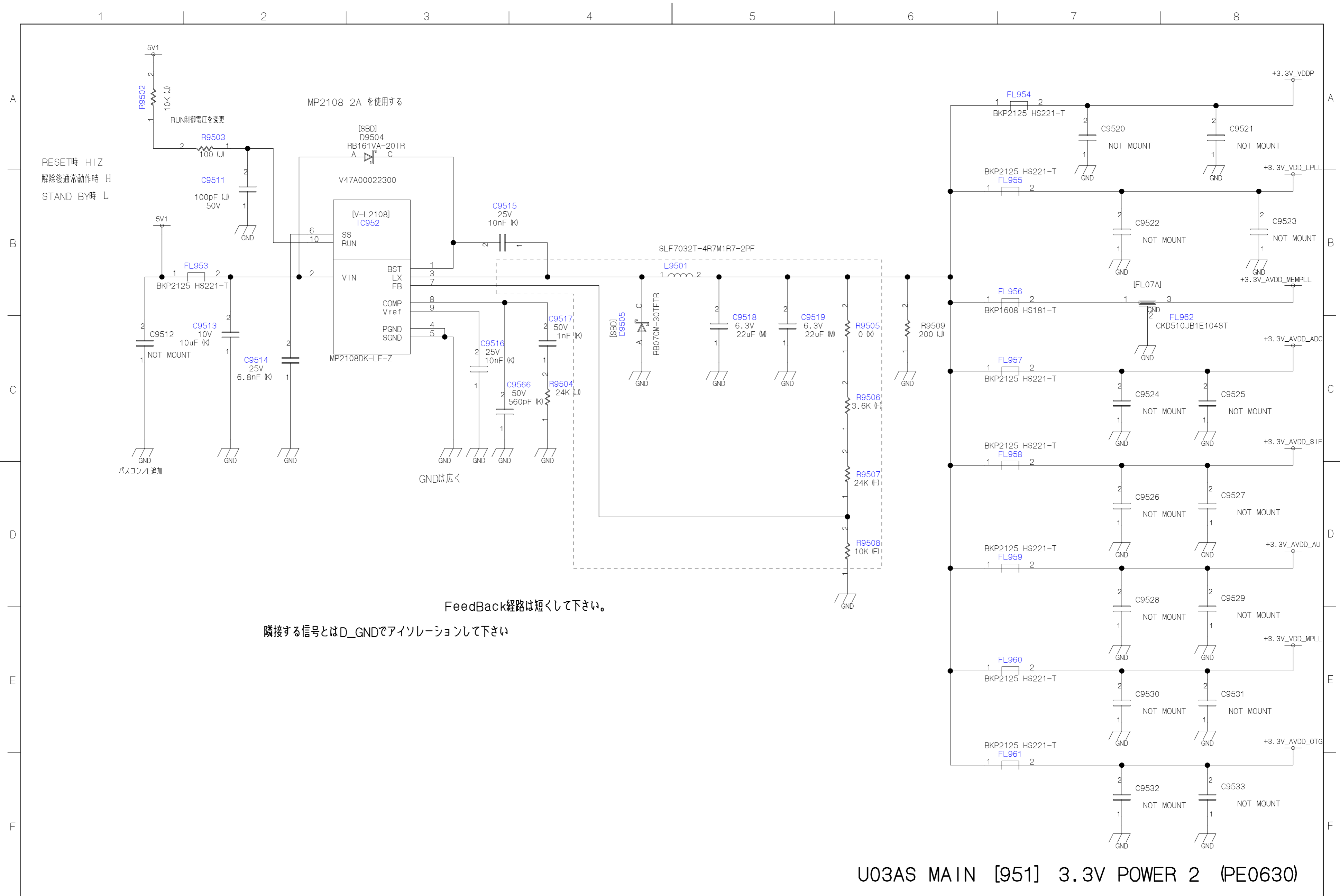
U03AS MAIN [901] LVDS CONNECTOR (PE0630)



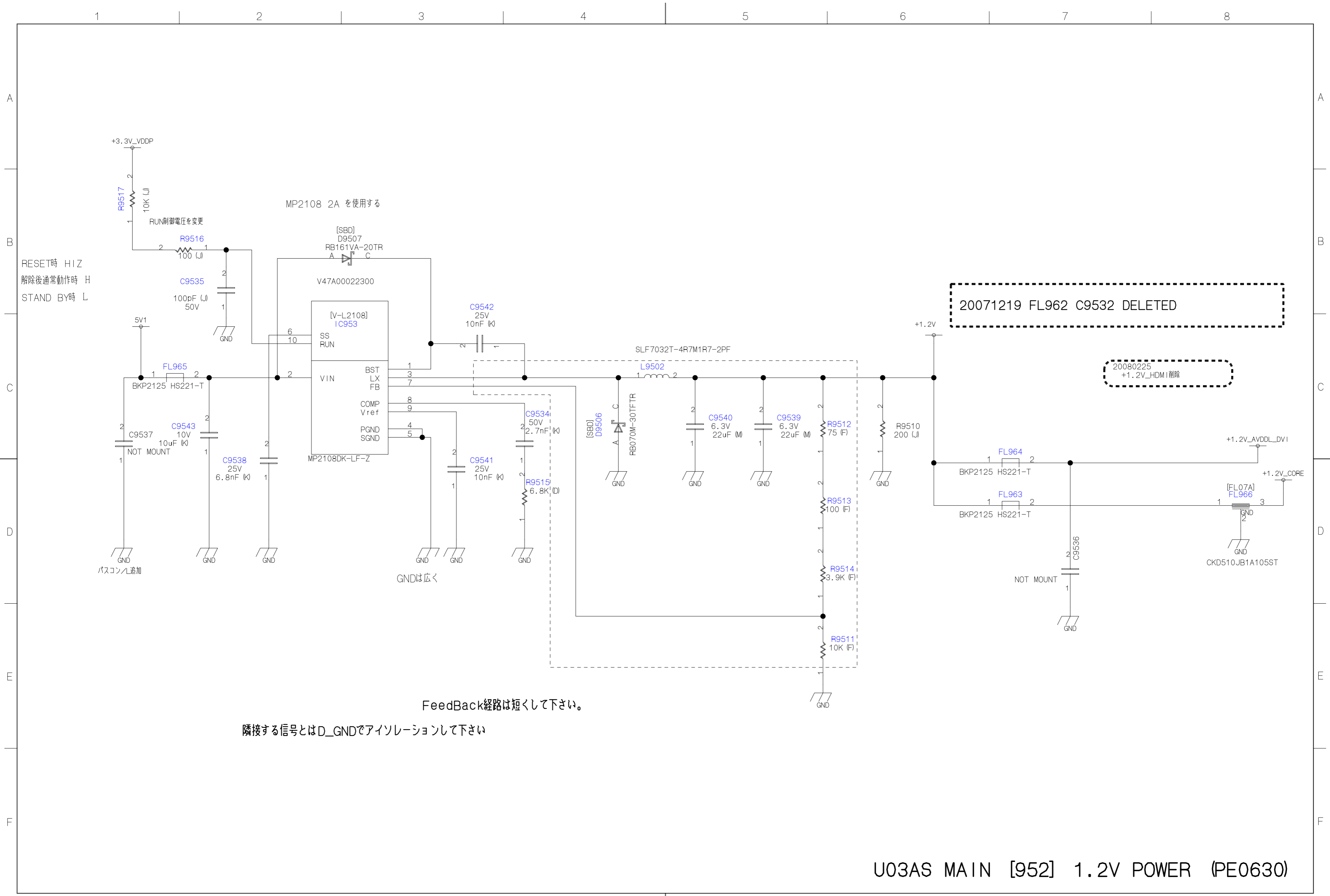
U03AS MAIN [902] BL\_CONTROL & DIMMING (PE0630)



U03AS MAIN [950] 3.3V POWER 1 (PE0630)



U03AS MAIN [951] 3.3V POWER 2 (PE0630)



RESET時 HIZ  
解除後通常動作時 H  
STAND BY時 L

バスコン/追加

GNDは広く

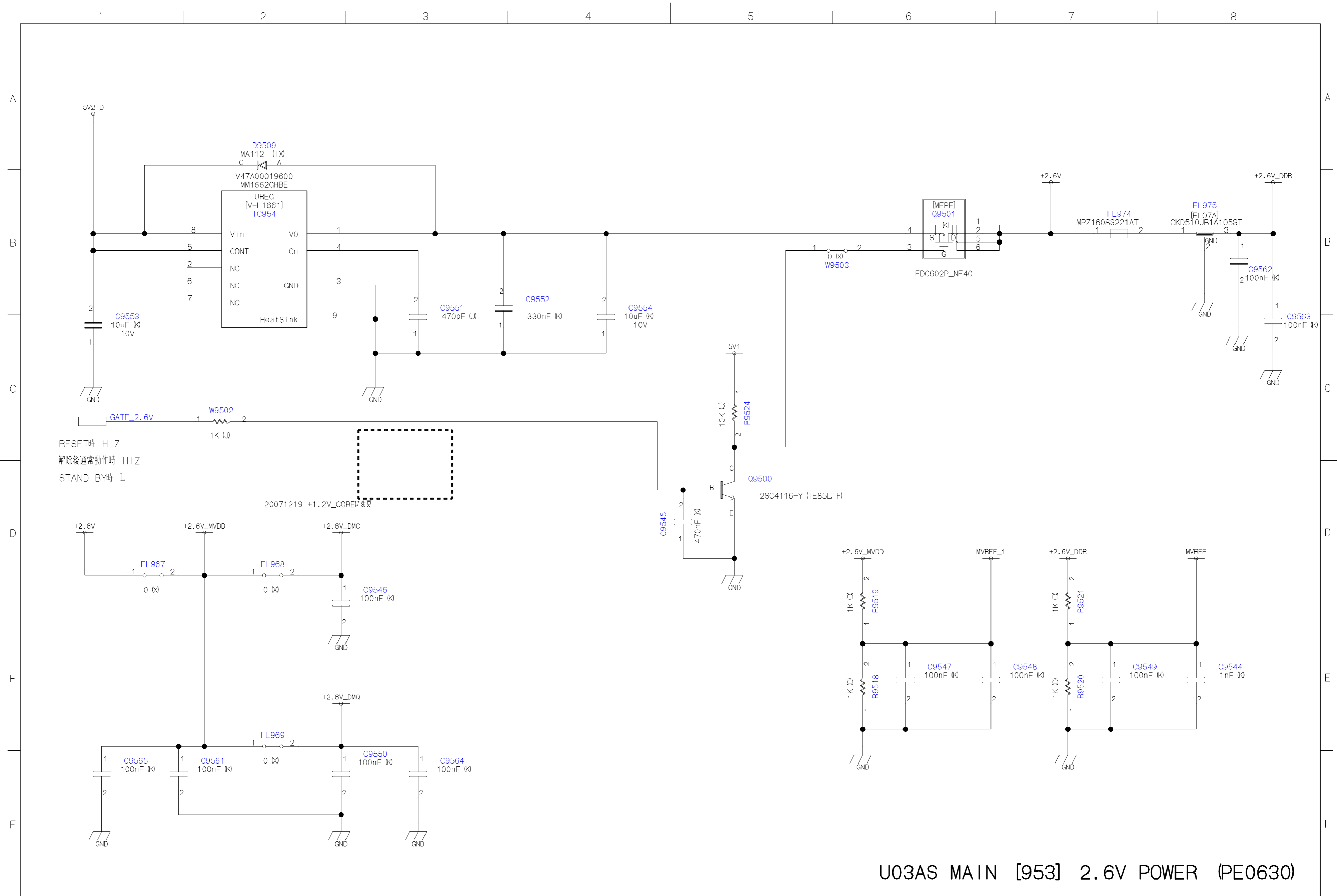
Feedback経路は短くして下さい。

隣接する信号とはD\_GNDでアイソレーションして下さい

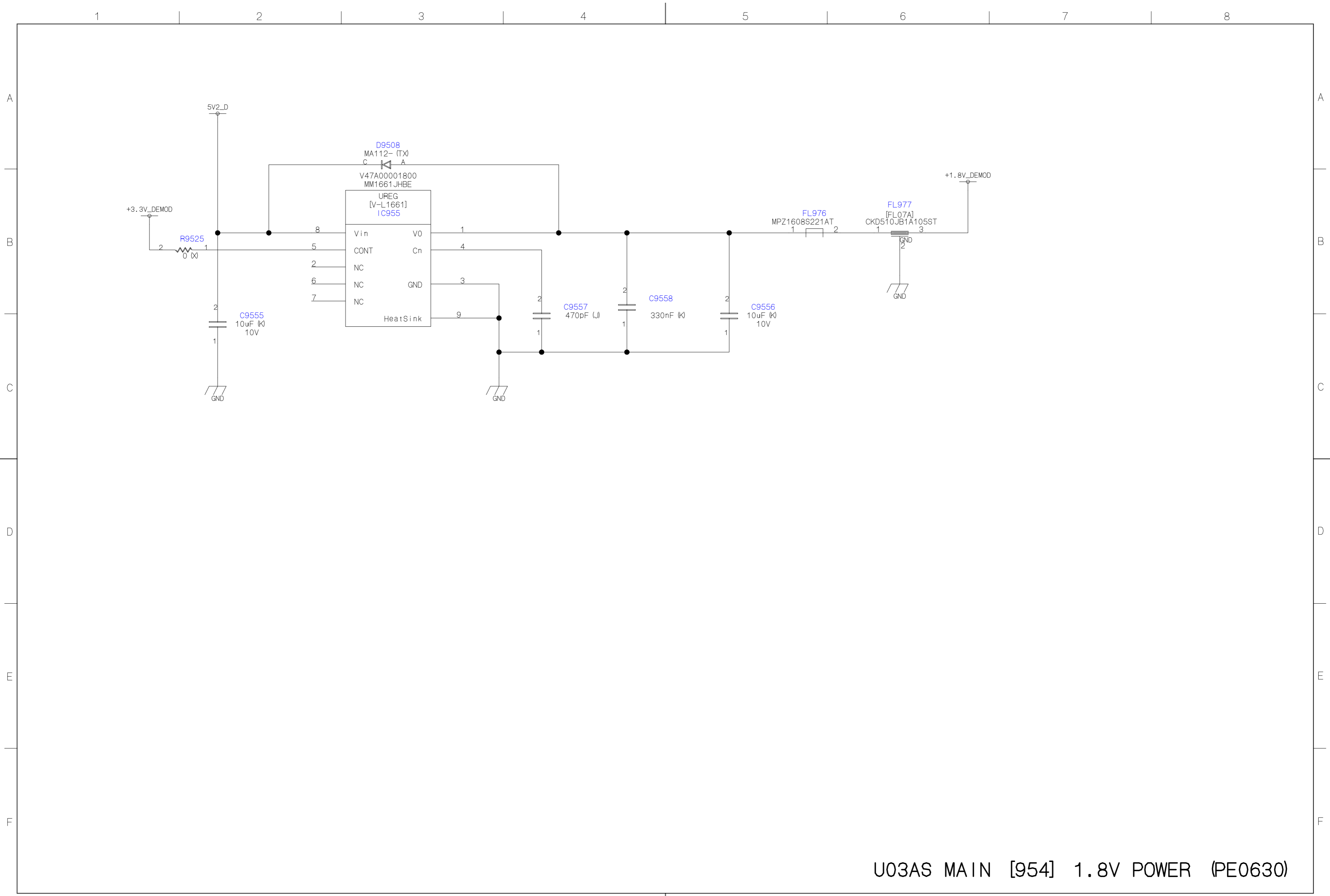
20071219 FL962 C9532 DELETED

20080225  
+1.2V\_HDMI削除

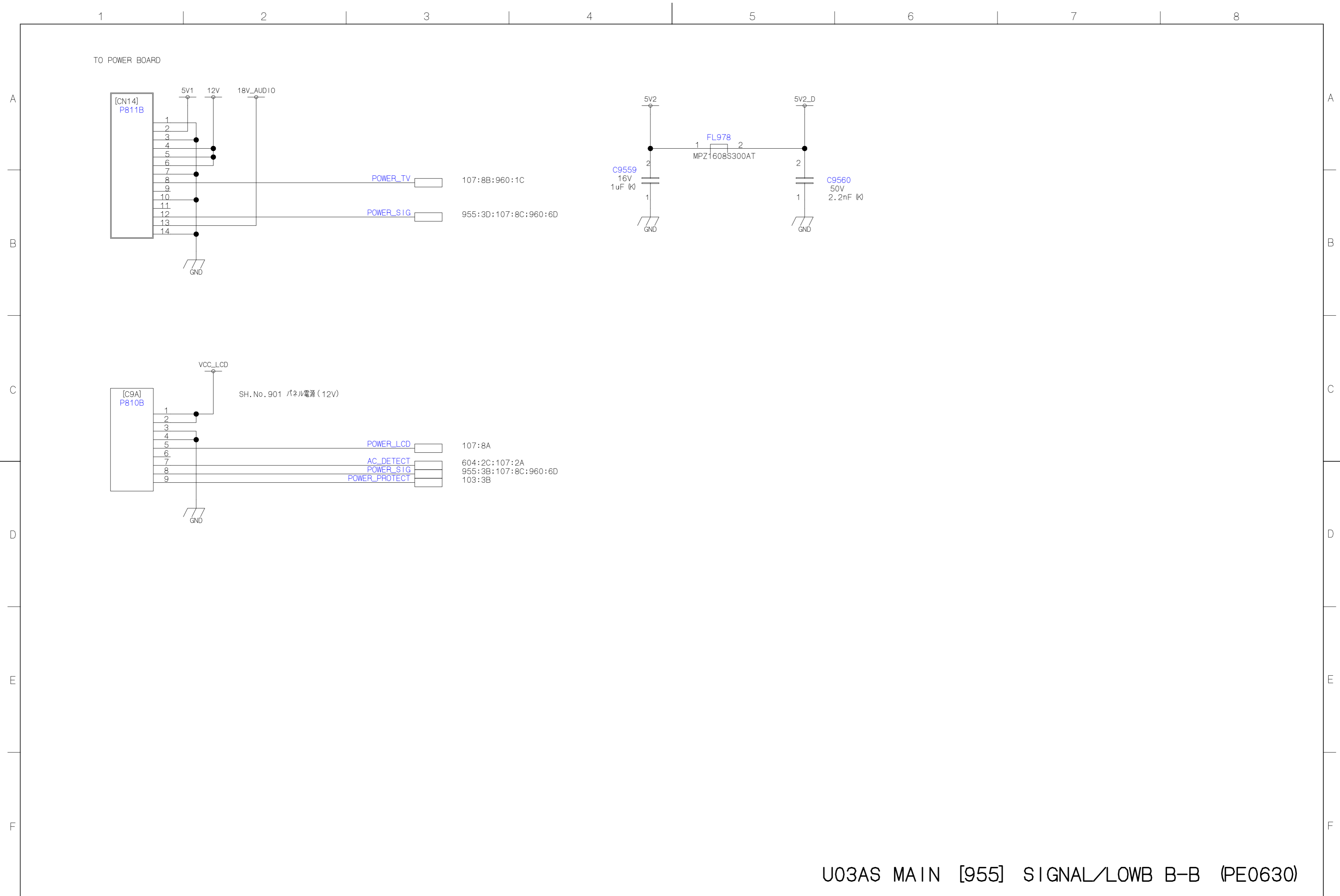


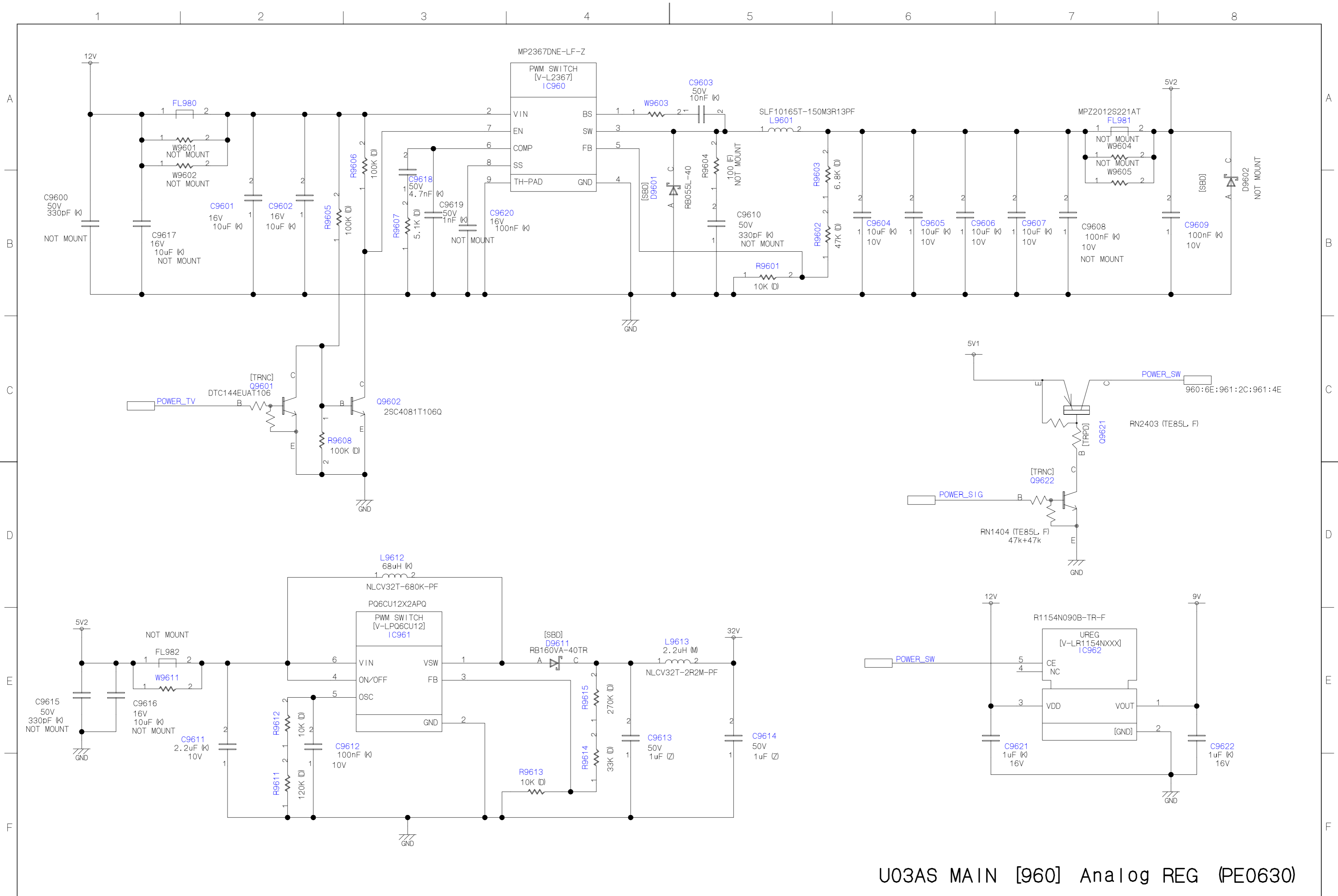


U03AS MAIN [953] 2.6V POWER (PE0630)

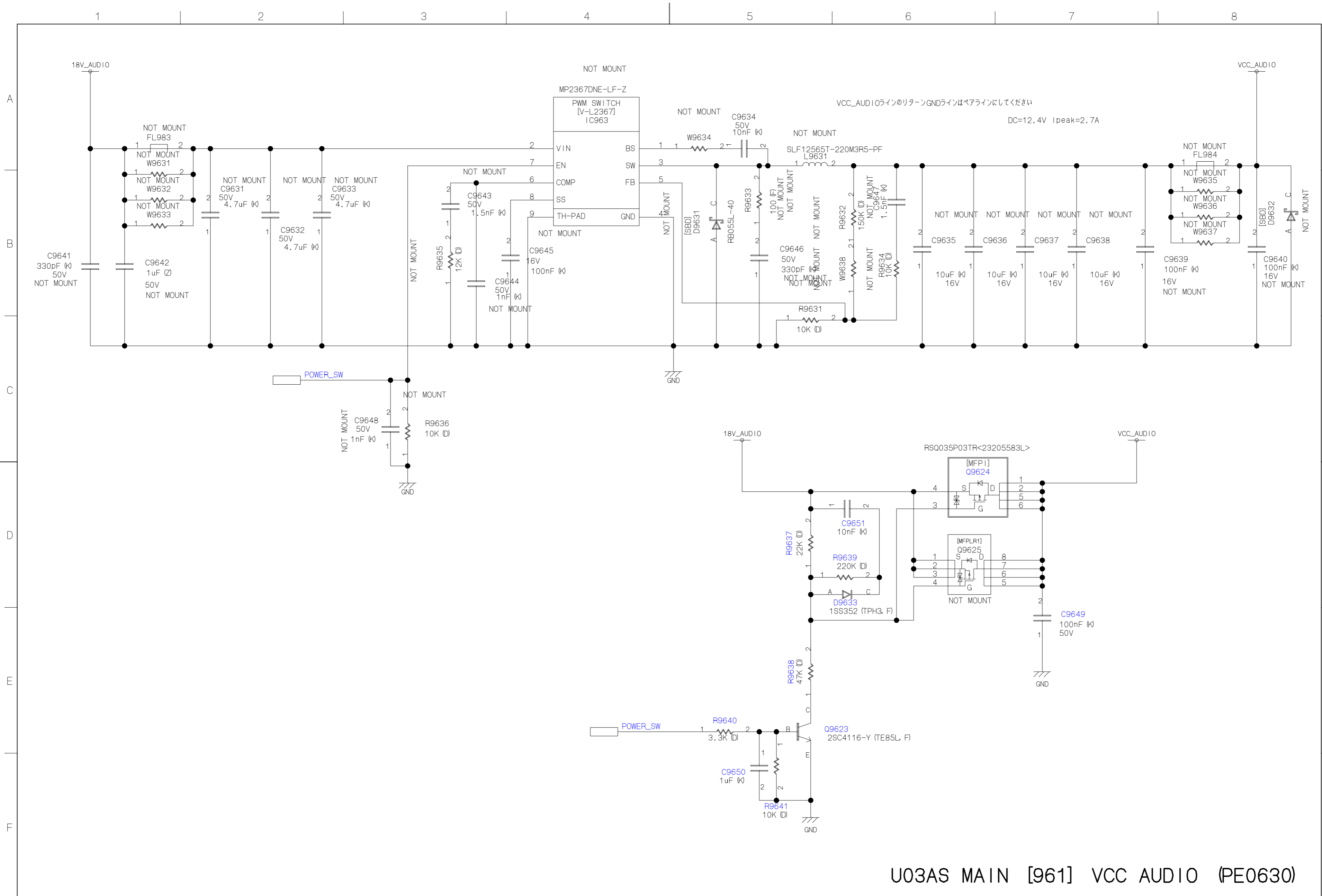


U03AS MAIN [954] 1.8V POWER (PE0630)



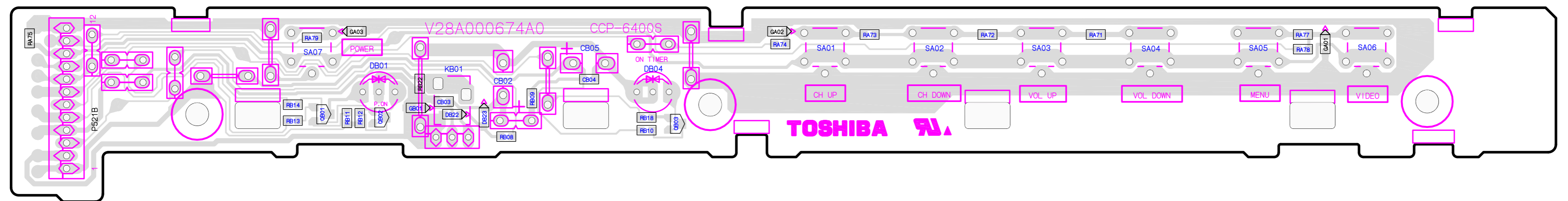


U03AS MAIN [960] Analog REG (PE0630)



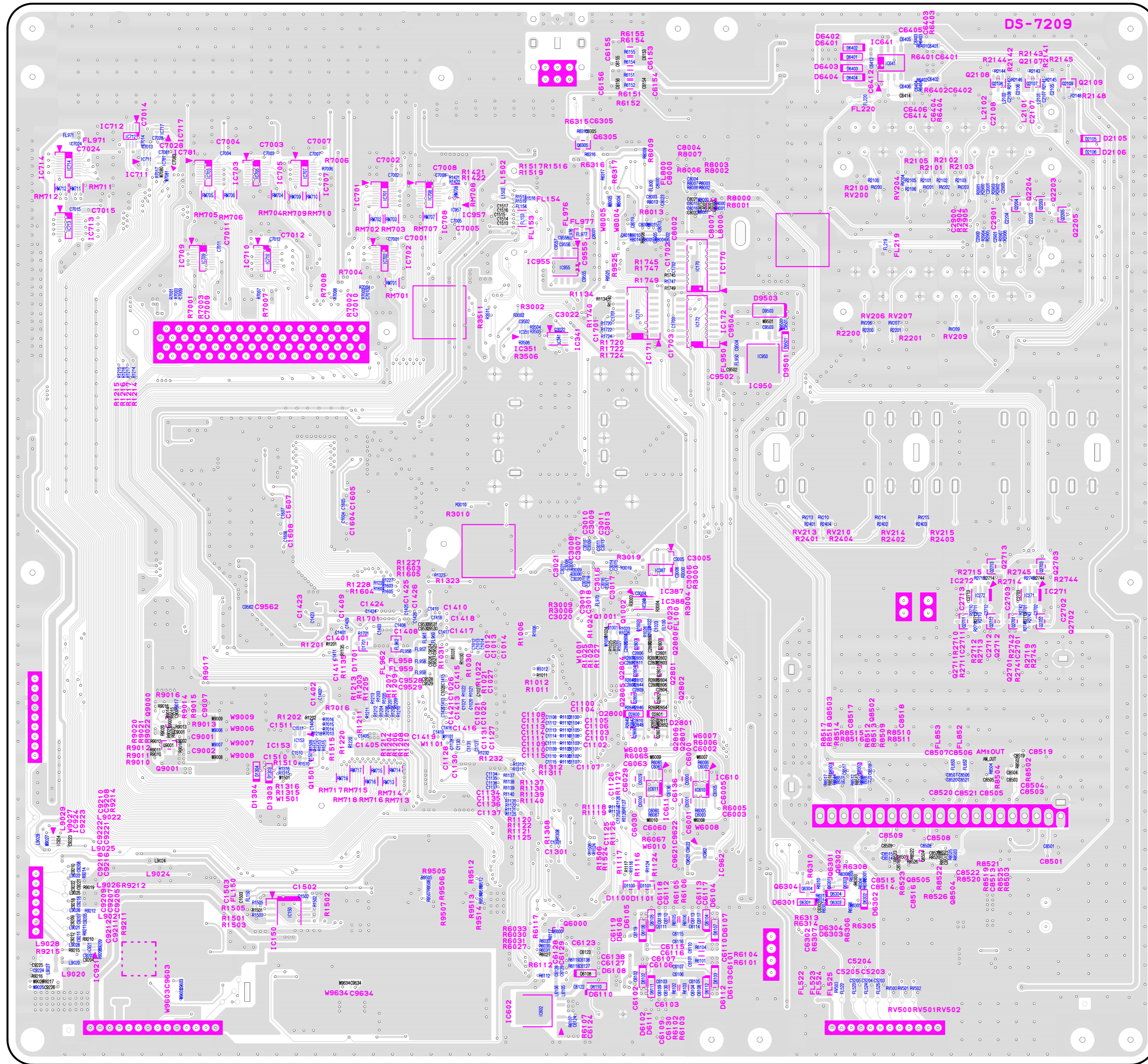
U03AS MAIN [961] VCC AUDIO (PE0630)

U02A KEY/LED/RMT [Bottom] (PE0491)





U03AS MAIN [Bottom] (PE0630)





# ADJUSTMENT

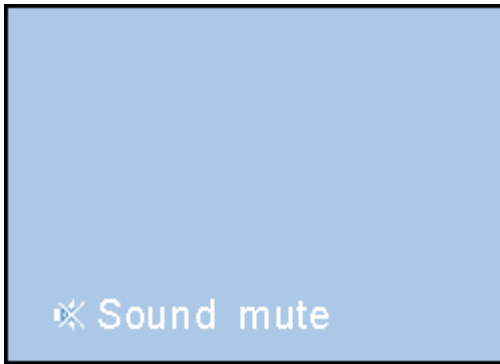
---


## Service Mode

---


### Entering to Service Mode

---




1. Set VOLUME to minimum and press  button once on remote control.



2. Press  button again and hold button down.



Service Mode display

3. While holding the  button, press MENU button on TV set.

```
OPTO S
ADDR DATA BINARY
0000H 00H 00000000B
```

### Displaying the Adjustment Menu

---

Press MENU button on TV.

Service Mode

```
S
```

Press ↑ ↓ Press

Adjustment Mode

```
OPTO S
ADDR DATA BINARY
0000H 00H 00000000B
```

## Key Function in the Service Mode

---

The following key entry during display of adjustment menu provides special functions.

**CAUTION: Never try to perform initialization unless you have changed the memory IC.**

Test signal selection	↶ button (on remote control)
Selection of the adjustment items	CH ▲/▼ (on TV) or MENU ▲/▼ (on remote control)
Change of the data value	Volume ▲/▼ +/- (on TV) or MENU RIGHT/LEFT (on remote control)
Adjustment menu mode ON/OFF	MENU button (on TV)
Initialization of the memory (IC152)	CALL + CH ▲ button on TV
Automatic A/D Adjustment (Component, Composite (PAL, NTSC), RGB)	7 button
Self diagnostic display ON/OFF	9 button

## Selecting the Adjusting Item

---

Every pressing of MENU UP ▲ button in the service mode changes the adjustment items in the order of table below. (MENU DOWN ▼ button for reverse order)

### SETTING & ADJUSTING DATA

[ SERVICE MODE ]

### ADJUSTING ITEMS AND DATA IN THE SERVICE MODE:

**Note:**

The image system data of RCUT-BDRV is different by each image format.

The PAL value is indicated in the table.

Never adjust H.POS and V.POS except PAL/WIDE mode.

Item	Name of adjustment
PLLW0	PLL WAIT TIME
PLLW1	PLL WAIT TIME
PLLW2	PLL WAIT TIME
PLLW3	PLL WAIT TIME
PLLW4	PLL WAIT TIME
PLLW5	PLL WAIT TIME
OPT1	TV SET OPTION 1
OPT2	TV SET OPTION 2
OPT3	TV SET OPTION 3
OPT4	TV SET OPTION 4 (PANEL OPT DATA FOR VENDOR)
OPT5	TV SET OPTION 5 (PANEL OPT DATA FOR INCH)
OPT6	TV SET OPTION 6 (HOTEL MODE)
OPT7	TV SET OPTION 7 (HOTEL MODE)
OPT8	TV SET OPTION 8 (HOTEL MODE)
TVOP	TV SET OPTION
ID	MODEL ID
BDWID	BORDER WIDTH FOR EXACT SCAN
BDHIT	BORDER HEIGHT FOR EXACT SCAN
VOLUX	MAX VOLUME LIMITED
RCUT	R CUT OFF
GCUT	G CUT OFF
BCUT	B CUT OFF
RDRV	R DRIVE
GDRV	G DRIVE
BDRV	B DRIVE

CNTX DTV DYNAMIC	CONTRAST MAX FOR DTV DYNAMIC
CNTX DTV STANDARD	CONTRAST MAX FOR DTV STANDARD
CNTX DTV MILD	CONTRAST MAX FOR DTV MILD
CNTX DTV MOVIE	CONTRAST MAX FOR DTV MOVIE
CNTX VIDEO DYNAMIC	CONTRAST MAX FOR VIDEO DYNAMIC
CNTX VIDEO STANDARD	CONTRAST MAX FOR VIDEO STANDARD
CNTX VIDEO MILD	CONTRAST MAX FOR VIDEO MILD
CNTX VIDEO MOVIE	CONTRAST MAX FOR VIDEO MOVIE
CNTX YPBPR HD DYNAMIC	CONTRAST MAX FOR YPBPR HD DYNAMIC
CNTX YPBPR HD STANDARD	CONTRAST MAX FOR YPBPR HD STANDARD
CNTX YPBPR HD MILD	CONTRAST MAX FOR YPBPR HD MILD
CNTX YPBPR HD MOVIE	CONTRAST MAX FOR YPBPR HD MOVIE
CNTX YPBPR SD STANDARD	CONTRAST MAX FOR YPBPR SD STANDARD
CNTX YPBPR SD MILD	CONTRAST MAX FOR YPBPR SD MILD
CNTX YPBPR SD MOVIE	CONTRAST MAX FOR YPBPR SD MOVIE
CNTX HDMI PC DYNAMIC	CONTRAST MAX FOR HDMI PC DYNAMIC
CNTX HDMI PC STANDARD	CONTRAST MAX FOR HDMI PC STANDARD
CNTX HDMI PC MILD	CONTRAST MAX FOR HDMI PC MILD
CNTX HDMI PC MOVIE	CONTRAST MAX FOR HDMI PC MOVIE
CNTX HDMI HD DYNAMIC	CONTRAST MAX FOR HDMI HD DYNAMIC
CNTX HDMI HD STANDARD	CONTRAST MAX FOR HDMI HD STANDARD
CNTX HDMI HD MILD	CONTRAST MAX FOR HDMI HD MILD
CNTX HDMI HD MOVIE	CONTRAST MAX FOR HDMI HD MOVIE
CNTX HDMI SD DYNAMIC	CONTRAST MAX FOR HDMI SD DYNAMIC
CNTX HDMI SD STANDARD	CONTRAST MAX FOR HDMI SD STANDARD
CNTX HDMI SD MILD	CONTRAST MAX FOR HDMI SD MILD
CNTX HDMI SD MOVIE	CONTRAST MAX FOR HDMI SD MOVIE
CNTX ATV DYNAMIC	CONTRAST MAX FOR ATV DYNAMIC
CNTX ATV STANDARD	CONTRAST MAX FOR ATV STANDARD
CNTX ATV MILD	CONTRAST MAX FOR ATV MILD
CNTX ATV MOVIE	

	CONTRAST MAX FOR ATV MOVIE
BRTC DTV DYNAMIC	BRIGHTNESS CENTER FOR DTV DYNAMIC
BRTC DTV STANDARD	BRIGHTNESS CENTER FOR DTV STANDARD
BRTC DTV MILD	BRIGHTNESS CENTER FOR DTV MILD
BRTC DTV MOVIE	BRIGHTNESS CENTER FOR DTV MOVIE
BRTC VIDEO DYNAMIC	BRIGHTNESS CENTER FOR VIDEO DYNAMIC
BRTC VIDEO STANDARD	BRIGHTNESS CENTER FOR VIDEO STANDARD
BRTC VIDEO MILD	BRIGHTNESS CENTER FOR VIDEO MILD
BRTC VIDEO MOVIE	BRIGHTNESS CENTER FOR VIDEO MOVIE
BRTC YPBPR HD DYNAMIC	BRIGHTNESS CENTER FOR YPBPR HD DYNAMIC
BRTC YPBPR HD STANDARD	BRIGHTNESS CENTER FOR YPBPR HD STANDARD
BRTC YPBPR HD MILD	BRIGHTNESS CENTER FOR YPBPR HD MILD
BRTC YPBPR HD MOVIE	BRIGHTNESS CENTER FOR YPBPR HD MOVIE
BRTC YPBPR SD DYNAMIC	BRIGHTNESS CENTER FOR YPBPR SD DYNAMIC
BRTC YPBPR SD STANDARD	BRIGHTNESS CENTER FOR YPBPR SD STANDARD
BRTC YPBPR SD MILD	BRIGHTNESS CENTER FOR YPBPR SD MILD
BRTC YPBPR SD MOVIE	BRIGHTNESS CENTER FOR YPBPR SD MOVIE
BRTC HDMI PC DYNAMIC	BRIGHTNESS CENTER FOR HDMI PC DYNAMIC
BRTC HDMI PC STANDARD	BRIGHTNESS CENTER FOR HDMI PC STANDARD
BRTC HDMI PC MILD	BRIGHTNESS CENTER FOR HDMI PC MILD
BRTC HDMI PC MOVIE	BRIGHTNESS CENTER FOR HDMI PC MOVIE
BRTC HDMI HD DYNAMIC	BRIGHTNESS CENTER FOR HDMI HD DYNAMIC
BRTC HDMI HD STANDARD	BRIGHTNESS CENTER FOR HDMI HD STANDARD
BRTC HDMI HD MILD	BRIGHTNESS CENTER FOR HDMI HD MILD
BRTC HDMI HD MOVIE	BRIGHTNESS CENTER FOR HDMI HD MOVIE
BRTC HDMI SD DYNAMIC	BRIGHTNESS CENTER FOR HDMI SD DYNAMIC
BRTC HDMI SD STANDARD	BRIGHTNESS CENTER FOR HDMI SD STANDARD
BRTC HDMI SD MILD	BRIGHTNESS CENTER FOR HDMI SD MILD
BRTC HDMI SD MOVIE	BRIGHTNESS CENTER FOR HDMI SD MOVIE
BRTC ATV DYNAMIC	BRIGHTNESS CENTER FOR ATV DYNAMIC
BRTC ATV STANDARD	

	BRIGHTNESS CENTER FOR ATV STANDARD
BRTC ATV MILD	BRIGHTNESS CENTER FOR ATV MILD
BRTC ATV MOVIE	BRIGHTNESS CENTER FOR ATV MOVIE
COLC DTV DYNAMIC	COLOR CENTER FOR DTV DYNAMIC
COLC DTV STANDARD	COLOR CENTER FOR DTV STANDARD
COLC DTV MILD	COLOR CENTER FOR DTV MILD
COLC DTV MOVIE	COLOR CENTER FOR DTV MOVIE
COLC VIDEO DYNAMIC	COLOR CENTER FOR VIDEO DYNAMIC
COLC VIDEO STANDARD	COLOR CENTER FOR VIDEO STANDARD
COLC VIDEO MILD	COLOR CENTER FOR VIDEO MILD
COLC VIDEO MOVIE	COLOR CENTER FOR VIDEO MOVIE
COLC YPBPR HD DYNAMIC	COLOR CENTER FOR YPBPR HD DYNAMIC
COLC YPBPR HD STANDARD	COLOR CENTER FOR YPBPR HD STANDARD
COLC YPBPR HD MILD	COLOR CENTER FOR YPBPR HD MILD
COLC YPBPR HD MOVIE	COLOR CENTER FOR YPBPR HD MOVIE
COLC YPBPR SD DYNAMIC	COLOR CENTER FOR YPBPR SD DYNAMIC
COLC YPBPR SD STANDARD	COLOR CENTER FOR YPBPR SD STANDARD
COLC YPBPR SD MILD	COLOR CENTER FOR YPBPR SD MILD
COLC YPBPR SD MOVIE	COLOR CENTER FOR YPBPR SD MOVIE
COLC HDMI PC DYNAMIC	COLOR CENTER FOR HDMI PC DYNAMIC
COLC HDMI PC STANDARD	COLOR CENTER FOR HDMI PC STANDARD
COLC HDMI PC MILD	COLOR CENTER FOR HDMI PC MILD
COLC HDMI PC MOVIE	COLOR CENTER FOR HDMI PC MOVIE
COLC HDMI HD DYNAMIC	COLOR CENTER FOR HDMI HD DYNAMIC
COLC HDMI HD STANDARD	COLOR CENTER FOR HDMI HD STANDARD
COLC HDMI HD MILD	COLOR CENTER FOR HDMI HD MILD
COLC HDMI HD MOVIE	COLOR CENTER FOR HDMI HD MOVIE
COLC HDMI SD DYNAMIC	COLOR CENTER FOR HDMI SD DYNAMIC
COLC HDMI SD STANDARD	COLOR CENTER FOR HDMI SD STANDARD
COLC HDMI SD MILD	COLOR CENTER FOR HDMI SD MILD
COLC HDMI SD MOVIE	

	COLOR CENTER FOR HDMI SD MOVIE
COLC ATV DYNAMIC	COLOR CENTER FOR ATV DYNAMIC
COLC ATV STANDARD	COLOR CENTER FOR ATV STANDARD
COLC ATV MILD	COLOR CENTER FOR ATV MILD
COLC ATV MOVIE	COLOR CENTER FOR ATV MOVIE
UVTT DTV DYNAMIC	BASE BAND TINT FOR DTV DYNAMIC
UVTT DTV STANDARD	BASE BAND TINT FOR DTV STANDARD
UVTT DTV MILD	BASE BAND TINT FOR DTV MILD
UVTT DTV MOVIE	BASE BAND TINT FOR DTV MOVIE
UVTT VIDEO DYNAMIC	BASE BAND TINT FOR VIDEO DYNAMIC
UVTT VIDEO STANDARD	BASE BAND TINT FOR VIDEO STANDARD
UVTT VIDEO MILD	BASE BAND TINT FOR VIDEO MILD
UVTT VIDEO MOVIE	BASE BAND TINT FOR VIDEO MOVIE
UVTT YPBPR HD DYNAMIC	BASE BAND TINT FOR YPBPR HD DYNAMIC
UVTT YPBPR HD STANDARD	BASE BAND TINT FOR YPBPR HD STANDARD
UVTT YPBPR HD MILD	BASE BAND TINT FOR YPBPR HD MILD
UVTT YPBPR HD MOVIE	BASE BAND TINT FOR YPBPR HD MOVIE
UVTT YPBPR SD DYNAMIC	BASE BAND TINT FOR YPBPR SD DYNAMIC
UVTT YPBPR SD STANDARD	BASE BAND TINT FOR YPBPR SD STANDARD
UVTT YPBPR SD MILD	BASE BAND TINT FOR YPBPR SD MILD
UVTT YPBPR SD MOVIE	BASE BAND TINT FOR YPBPR SD MOVIE
UVTT HDMI PC DYNAMIC	BASE BAND TINT FOR HDMI PC DYNAMIC
UVTT HDMI PC STANDARD	BASE BAND TINT FOR HDMI PC STANDARD
UVTT HDMI PC MILD	BASE BAND TINT FOR HDMI PC MILD
UVTT HDMI PC MOVIE	BASE BAND TINT FOR HDMI PC MOVIE
UVTT HDMI HD DYNAMIC	BASE BAND TINT FOR HDMI HD DYNAMIC
UVTT HDMI HD STANDARD	BASE BAND TINT FOR HDMI HD STANDARD
UVTT HDMI HD MILD	BASE BAND TINT FOR HDMI HD MILD
UVTT HDMI HD MOVIE	BASE BAND TINT FOR HDMI HD MOVIE
UVTT HDMI SD DYNAMIC	BASE BAND TINT FOR HDMI SD DYNAMIC
UVTT HDMI SD STANDARD	



	BASE BAND TINT FOR HDMI SD STANDARD
UVTT HDMI SD MILD	BASE BAND TINT FOR HDMI SD MILD
UVTT HDMI SD MOVIE	BASE BAND TINT FOR HDMI SD MOVIE
UVTT ATV DYNAMIC	BASE BAND TINT FOR ATV DYNAMIC
UVTT ATV STANDARD	BASE BAND TINT FOR ATV STANDARD
UVTT ATV MILD	BASE BAND TINT FOR ATV MILD
UVTT ATV MOVIE	BASE BAND TINT FOR ATV MOVIE

## Adjusting the Data

---

Pressing of MENU RIGHT/LEFT button will change the value of data in the range from 00H to FFH. The variable range depends on the adjusting item.

## Setting TVOP

---

Enter to service mode and select menu of TVOP by pressing MENU UP or DOWN during display of adjustment menu. After selecting TVOP, press MENU RIGHT or LEFT to set WDT function to disable or enable as below.

TVOP	FUNCTION DESCRIPTION	1	0 (Normal)
D5 (bit5)	TV-Micon Watch Dog Timer (WDT)	Disable	Enable

## Setting Panel Option Data

---

Panel option data is subject to OPT4 and OPT5.

Enter to service mode and select menu of OPT4 or OPT5 by pressing P▲ or P▼ during display of adjustment menu. After selecting OPT4 or OPT5, press ▲+ or ▲- to set OPT4 or OPT5 value as table below.

## Panel option data

Series		Model name	Panel vendor	OPT4 value	OPT5 value
AV555D	EU Digital	32AV555D/554D	SHARP	0x02	0x05
AV554D		37AV555D/554D	LGD	0x01	0x06
		42AV555D/554D	LGD	0x01	0x07

## OPT4

Ex. OPT4 value 0x02 indicates that panel vendor is SHARP.

		OPT4							
		D7 (bit7)	D6 (bit6)	D5 (bit5)	D4 (bit4)	D3 (bit3)	D2 (bit2)	D1 (bit1)	D0 (bit0)
Panel vendor	LGD	-	-	-	-	0	0	0	1
	SHARP	-	-	-	-	0	0	1	0
	CMO	-	-	-	-	0	0	1	1
	AUO PMVA	-	-	-	-	0	1	0	0
	AUO AMVA	-	-	-	-	0	1	0	1
	SAMSUNG	-	-	-	-	0	1	1	0
	IPS	-	-	-	-	0	1	1	1

## OPT5

Ex. OPT5 value 0x05 indicates that panel size is 32.

		OPT5							
		D7 (bit7)	D6 (bit6)	D5 (bit5)	D4 (bit4)	D3 (bit3)	D2 (bit2)	D1 (bit1)	D0 (bit0)
Size	26	-	-	-	-	0	0	1	1
	32	-	-	-	-	0	1	0	1
	37	-	-	-	-	0	1	1	0
	42	-	-	-	-	0	1	1	1
Backlight Status	Positive	-	-	1	-	-	-	-	-

Logic	Negative			0					
Backlight Status Check	Execute	-	1	-	-	-	-	-	-
	Unexecuted		0						
Backlight Force Twice On	Execute	1	-	-	-	-	-	-	-
	Unexecuted	0							

## Convert from Bit (Binary) to Hex

---

The table for converting from bit (D7-D0) to hex (0x\*\*).

		BIT (Binary)			
High nibble		<b>D7</b>	<b>D6</b>	<b>D5</b>	<b>D4</b>
Low nibble		<b>D3</b>	<b>D2</b>	<b>D1</b>	<b>D0</b>
HEX	<b>0</b>	0	0	0	0
	<b>1</b>	0	0	0	<b>1</b>
	<b>2</b>	0	0	<b>1</b>	0
	<b>3</b>	0	0	<b>1</b>	<b>1</b>
	<b>4</b>	0	<b>1</b>	0	0
	<b>5</b>	0	<b>1</b>	0	<b>1</b>
	<b>6</b>	0	<b>1</b>	<b>1</b>	0
	<b>7</b>	0	<b>1</b>	<b>1</b>	<b>1</b>
	<b>8</b>	<b>1</b>	0	0	0
	<b>9</b>	<b>1</b>	0	0	<b>1</b>
	<b>A</b>	<b>1</b>	0	<b>1</b>	0
	<b>B</b>	<b>1</b>	0	<b>1</b>	<b>1</b>
	<b>C</b>	<b>1</b>	<b>1</b>	0	0
	<b>D</b>	<b>1</b>	<b>1</b>	0	<b>1</b>
	<b>E</b>	<b>1</b>	<b>1</b>	<b>1</b>	0
	<b>F</b>	<b>1</b>	<b>1</b>	<b>1</b>	<b>1</b>

E.g. If Bit D7-0 = 0101 1010, Hex data is 0x5A.

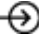
## Exit from Service Mode

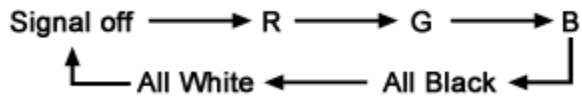
---





Pressing POWER button to turn off the TV once.

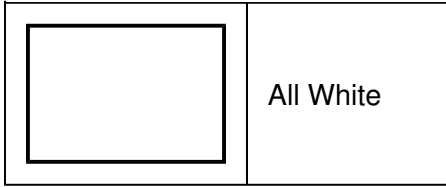
## Test Signal Selection

---

Every pressing of  button on the remote control changes the built-in test patterns on screen as described below in Service Mode.



Picture	Signal
	Red raster
	Green raster
	Blue raster
	All Black

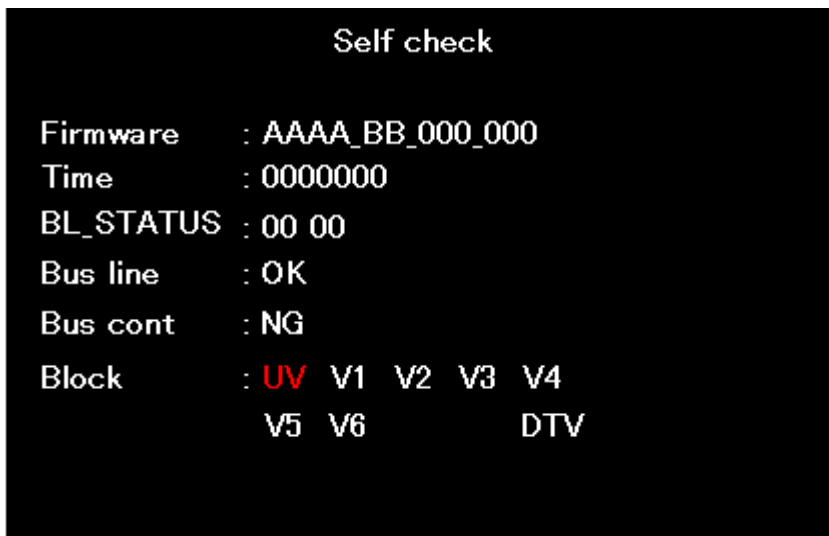


## Self Diagnostic Function

---

1. Press "9" button on remote control during display of adjustment menu in the service mode. The diagnosis will begin to check if interface among IC's is executed properly.
2. During diagnosis, the following displays are shown.

\* Self check display and Item are subject to the models.



- (1) Firmware :  
Version information of microprocessor  
Series name (AAAA) and market area (BB) and software program version (000\_000).
- (2) Time : Total hour of turn the TV on. (Unit : H)
- (3) BL\_STATUS :  
Counter for saving BackLight on error1.  
This value is counted till 99 (Decimal).
- (4) Bus line : -- "OK" is normal

SCL-GND (Red indication) : SCL-GND short circuit  
 SDA-GND (Red indication) : SDA-GND short circuit  
 SCL-SDA (Red indication) : SCL-SDA short circuit

(5) Bus cont : --- "OK" is normal.  
 NG is abnormal (Red indication).

(6) Block

UV : TV reception mode  
 V1 - V6 : VIDEO 1-6 input mode  
 DTV : DTV mode

UV	ATV
V1	① 1 (SCART (FULL))
V2	② 2 (SCART (S+AV))
V3	③ 3 (Component)
V4	④ 4 (Composite)
V5	HDMI1
V6	HDMI2
V7	--
V8	--
V9	--
PC	--
YUV	--
DTV	DTV

## Version Check Mode

---

1. Press "9" button twice on remote control during display of adjustment menu in the service mode.

The version of main MPU will be checked.

2. During Version Check, the following displays are shown.

\* Version check display and Item are subject to the models.

```
Version check
(1) MAIN MPU      : AAAA_BB_000_000
(2) EEPROM       : 00

(3) OPTION       : 11 22 33 44 55 66 77 88
(4) HDMI EDID    : OK
(5) BL Ver       : 000.000
(6) AP Ver       : 000.000
(7) A/D Adjust   :          COMP RGB NTSC PAL
                   OK      NG  OK  NG

(8) DRMA0000-REV00
                   MODEL NAME  00-DDD
                   (9)         (10)
```

(1) MAIN MPU :

Version information of microprocessor

Series name and Code Program Version (5 figure number) and software program version (000\_000).

(2) EEPROM :

Version information of EEPROM : Display 1 byte data.

(3) OPTION :

Option information : Display eight numbers of 1 byte data.

(4) HDMI EDID :

EDID data check item.

OK : EDID data is enable.

NG : EDID data is disable.

(5) BL Ver

Version information of Boot Loader software as Toshiba release.

(6) AP Ver

Version information of Application software as Toshiba release.

(7) A/D Adjust

A/D adjustment item.

--COMP : Component input

--RGB : RGB Signal (SCART input)

--NTSC : NTSC (60 Hz) SD signal (composite input).

--PAL : PAL (50 Hz) SD signal (composite input).

--OK : A/D adjustment set correctly.

--NG : A/D adjustment set incorrect.

(8) Memory Data Version

Version information of EEPROM.

DRMA\*\*\*\* means model number of EEPROM.

REV\*\* means version of EEPROM.

(9) Model Name

Model name information (ascii code). : Display 8 byte data.

(10) LCD Panel Vendor information display

The following Panel Vendor (DDD) and screen size (00) and displayed.

Example : AUO-32 (1080p) indicates that Vendor is AUO and Screen Size is 32 inch and Full HD panel.

## Status Check Mode

---

1. Press "9" button thrice on remote control during display of adjustment menu in the service mode.

The status of this model will be checked.

2. During Status Check, the following displays are shown.

\* Status check display and Item are subject to the models.



```

                        Status check
(1) MAIN                : ***** ***** *****
(2) MAIN FORMAT        : 1080i-60
(3) MAIN PLL           : 00 11 22 33 44 55 66 77

(4) SCREEN SIZE        : Super Live 1
(5) OTHER STATUS       : 0000 0000 0000

```

(1) MAIN :

Main source information :  
Display RF position number (0 - 999) on the main screen, or Input Source (EXT1/2/3/HDMI etc.)

(2) MAIN FORMAT :

Display Video format information

(3) MAIN PLL :

Main PLL information : Display 1 byte data at eight.

(4) SCREEN SIZE :

Display the screen size as follows.

Native
Wide
Super Live 2
Cinema 2
4:3
Super Live 1
Cinema 1
Subtitle
14:9
PC-Normal
PC-Wide

**Note:**

Exact Scan is shown only when 1080p panel model and video input mode except pc.

**(5) OTHER STATUS :**

Other status information : Display three numbers of 2 byte data.

## Setting Hotel Mode

---

Enter to service mode and select Hotel Mode menu by pressing MENU UP▲ or DOWN▼. After selecting Hotel Mode, press MENU RIGHT or LEFT to enter details setting in Hotel Mode.

To select menu, press MENU RIGHT or LEFT and press OK to enter the adjustment menu of the following table data.

To move the cursor in the adjustment, press MENU RIGHT or LEFT.

1. By pressing MENU RIGHT or LEFT, the following table data setting will change the value either 1 or 0 on selected items as follows;

**OPT2**

<b>OPT2</b>	<b>FUNCTION DESCRIPTION</b>	<b>1</b>	<b>0 (Normal)</b>
D7 (bit7)	- (no use)	-	-
D6 (bit6)	Enable mode that TV On will be appeared in forced when turning the main power ON	Enable	Disable
D5 (bit5)	FRONT Key	Disable	Enable
D4 (bit4)	All keys except input selector key (Video/TV)	Disable	Enable
D3 (bit3)	User remote control operation	Disable (Service mode and Super User mode may possible to setting)	Enable

		only)	
D2 (bit2)	Disable SET UP MENU except language. (tuning SETUP MENU)	Disable (Display the language only)	Enable
D1 (bit1)	Disable SETUP MENU	Disable	Enable
D0 (bit0)	HOTEL Mode	On (Enable the setting of D1 from to D7)	Off (Normal)

## VOLUX

Set VOLUX as following.

- 1) Set speaker volume to 100. (Any value is OK, but 100 is better to check sound level.)
- 2) Down value of VOLUX until finding suitable sound volume level.

VOLUX	FUNCTION DESCRIPTION	1	0 (Normal)
D7 (bit7) ~ D0 (bit0)	Max Limiter of Volume Control	0x00 ~ 0x7F (Normal: 0x7C)	

## OPT6

OPT6	FUNCTION DESCRIPTION	1	0 (Normal)
D7 (bit7)	Enable mode that POS or VIDEO program number will be appeared in forced when turn ON the main power	Enable	Disable
D6 (bit6) ~ D0 (bit0)	POS or VIDEO program number	0 ~ 127 [decimal] (Normal: 0) POS number: 0 ~ 99 VIDEO number: 100 ~ 127 (DTV = 100, VIDEO = 101, VIDEO = 102..) 100 is used as ATV when DTV option is disable.	

## OPT7

--	--	--	--

<b>OPT7</b>	<b>FUNCTION DESCRIPTION</b>	<b>1</b>	<b>0 (Normal)</b>
D7 (bit7)	Enable mode that speaker volume will be set in forced when turn ON the main power	Enable	Disable
D6 (bit6) ~ D0 (bit0)	Forced speaker volume	0 ~ 100 [decimal] (Normal: 0) Value above 100 is no effect.	

## OPT8

<b>OPT8</b>	<b>FUNCTION DESCRIPTION</b>	<b>1</b>	<b>0 (Normal)</b>
D7 (bit7) ~ D3 (bit3)	- (no use)	-	-
D2 (bit2)	Enable mode that picture mode will be set in forced when turn ON the main power	Enable (Display the language only)	Disable
D1 (bit1) ~ D0 (bit0)	Forced picture mode	0 [dec]: Dynamic (mode-1) (Normal) 1 [dec]: Standard (mode-2) 2 [dec]: Mild (mode-3) 3 [dec]: Memory (mode-M)	

## LED Indications

---

The Green and Red LEDs on the TV (at the bottom center of the TV) indicate the TV's status, as described below.

- Red ON (solid) and Green OFF = The TV power cord is plugged in.
- Green ON (solid) only = The TV is operating.
- Green ON (solid) and Red ON = Active standby mode.

# SOFTWARE UPGRADE

---

## Software Upgrade

---

1. Unplug AC Power.
2. Insert USB Flash memory containing software to TV set.
3. Plug AC Power.
4. Progress bar is shown on TV screen while upgrading.  
"100 %" is shown when completed.  
Never power off while upgrading.
5. Unplug AC Power.
6. Remove USB Flash memory.
7. Plug AC Power.

# TECHNICAL BULLETIN

---

File Name Title issuing date



# PANEL IDENTIFICATION

## Panel Identification

If the several panels are alternatively used in the same model without amending the model name, the identification marking will be shown at the last digit of the set serial number on the specification label on the back cover.

**In servicing, do not alter the panel because several setting and parts are different.**

Marking	Panel Vendor	Marking	Panel Vendor	Marking	Panel Vendor
A	AUO	J		S	SHARP
B		K	SAMSUNG	T	
C	CMO	L	LGD	U	
D		M		V	
E		N		W	
F		P		X	
G		Q		Y	
H	IPS	R		Z	

**With this alternative use, some of key parts may differ and their combinations are indicated with the suffix marking on the location number in the part list (Miscellaneous).**

e.g.

Location No.	Part No.	Description
<b>B001A</b>	75007869	LCD Panel, 32" LGD
<b>B001B</b>	75007870	LCD Panel, 32" AUO
<b>MZ01A</b>	75006036	LDVS Cable
<b>MZ01B</b>	75007893	LDVS Cable





# **PARTS LIST**

## **Precaution**

**WARNING:** BEFORE SERVICING THIS CHASSIS, READ THE "X-RAY RADIATION PRECAUTION" FOR DIRECT VIEW CTV ONLY, "SAFETY PRECAUTION" AND "PRODUCT SAFETY NOTICE" OF THIS MANUAL.

**CAUTION:** The international hazard symbols "⚠" in the schematic diagram and the parts list designate components which have special characteristics important for safety and should be replaced only with types identical to those in the original circuit or specified in the parts list.

The mounting position of replacements is to be identical with originals. Before replacing any of these components, read carefully the SAFETY PRECAUTION and PRODUCT SAFETY NOTICE.

Do not degrade the safety of the receiver through improper servicing.

### **Note:**

- The part number must be used when ordering parts, in order to assist in processing, be sure to include the Model number and Description.
- The PC board assembly with \* mark is no longer available after the end of the production.

### **Abbreviations**

Capacitors CD : Ceramic Disk

Resistors CF : Carbon film  
OMF : Oxide Metal Film  
PF : Plastic Film

CC : Carbon Composition  
VR : Variable Resistor  
EL : Electrolytic  
MF : Metal Film  
FR : Fusible Resistor

All CD and PF capacitors are  $\pm 5\%$ , 50 V and all resistor,  $\pm 5\%$ , 1/6 W unless otherwise noted.

## PARTS LIST

Block :

Location :   

Parts No. :   

Page :  / 1



## PARTS LIST

Block :

Block	Location	Parts No.	Description
U02A KEY/LED/RMT (PE0491)	* U02A	75010694	PC BOARD ASSY, PE0491A1, KEY/LED/RMT
U02A KEY/LED/RMT (PE0491)	CB02	75005969	CAPACITOR ELECTROLYTIC 10V 221M, ESRE10
U02A KEY/LED/RMT (PE0491)	CB03	76100104	CAPACITOR, CERAMIC CHIP, 25V F 0.1UF Z
U02A KEY/LED/RMT (PE0491)	CB04	76100104	CAPACITOR, CERAMIC CHIP, 25V F 0.1UF Z
U02A KEY/LED/RMT (PE0491)	CB05	75005969	CAPACITOR ELECTROLYTIC 10V 221M, ESRE10
U02A KEY/LED/RMT (PE0491)	DB01	23358602	DIODE, LED RED-GRN, SPR-54MVWFLMN
U02A KEY/LED/RMT (PE0491)	DB04	23358602	DIODE, LED RED-GRN, SPR-54MVWFLMN
U02A KEY/LED/RMT (PE0491)	DB22	23362251	DIODE, SDS511(SOD-323)
U02A KEY/LED/RMT (PE0491)	DB23	23362251	DIODE, SDS511(SOD-323)
U02A KEY/LED/RMT (PE0491)	GB01	23362042	DIODE, ZENER, UDZS6.8B
U02A KEY/LED/RMT (PE0491)	KB01	75002236	IC, GP1UE261RKVF
U02A KEY/LED/RMT (PE0491)	QB01	23205443	TRANSISTOR, 2SA1162-Y(F)
U02A KEY/LED/RMT (PE0491)	QB02	23205392	TRANSISTOR, 2SC5343UF-Y(BULK)
U02A KEY/LED/RMT (PE0491)	QB03	23205392	TRANSISTOR, 2SC5343UF-Y(BULK)
U02A KEY/LED/RMT (PE0491)	RA71	76011683	RESISTOR, CHIP, 1/20W 68K OHM J
U02A KEY/LED/RMT (PE0491)	RA72	76011223	RESISTOR, CHIP, 1/20W 22K OHM J
U02A KEY/LED/RMT (PE0491)	RA73	76011103	RESISTOR, CHIP, 1/20W 10K OHM J
U02A KEY/LED/RMT (PE0491)	RA74	76000445	CHIP JUMPER, 1608TYPE
U02A KEY/LED/RMT (PE0491)	RA77	76011103	RESISTOR, CHIP, 1/20W 10K OHM J
U02A KEY/LED/RMT (PE0491)	RA78	76000445	CHIP JUMPER, 1608TYPE
U02A KEY/LED/RMT (PE0491)	RA79	76000445	CHIP JUMPER, 1608TYPE
U02A KEY/LED/RMT (PE0491)	RB08	76011470	RESISTOR, CHIP, 1/20W 47 OHM J
U02A KEY/LED/RMT (PE0491)	RB09	76011470	RESISTOR, CHIP, 1/20W 47 OHM J
U02A KEY/LED/RMT (PE0491)	RB10	76011181	RESISTOR, CHIP, 1/20W 180 OHM J
U02A KEY/LED/RMT (PE0491)	RB11	76011271	RESISTOR, CHIP, 1/20W 270 OHM J
U02A KEY/LED/RMT (PE0491)	RB12	76011181	RESISTOR, CHIP, 1/20W 180 OHM J
U02A KEY/LED/RMT (PE0491)	RB13	76011102	RESISTOR, CHIP, 1/20W 1K OHM J
U02A KEY/LED/RMT (PE0491)	RB14	76011102	RESISTOR, CHIP, 1/20W 1K OHM J
U02A KEY/LED/RMT (PE0491)	RB18	76011102	RESISTOR, CHIP, 1/20W 1K OHM J
U02A KEY/LED/RMT (PE0491)	SA01	23344505	SWITCH, PUSH 1C1P
U02A KEY/LED/RMT (PE0491)	SA02	23344505	SWITCH, PUSH 1C1P
U02A KEY/LED/RMT (PE0491)	SA03	23344505	SWITCH, PUSH 1C1P
U02A KEY/LED/RMT (PE0491)	SA04	23344505	SWITCH, PUSH 1C1P
U02A KEY/LED/RMT (PE0491)	SA05	23344505	SWITCH, PUSH 1C1P
U02A KEY/LED/RMT (PE0491)	SA06	23344505	SWITCH, PUSH 1C1P
U02A KEY/LED/RMT (PE0491)	SA07	23344505	SWITCH, PUSH 1C1P
U03AS MAIN (PE0630)	* U03AS	75013498	PC BOARD ASSY, PE0630A, MAIN
U03AS MAIN (PE0630)	C1001	75008342	CAPACITOR, CERAMIC CHIP(1005), CM05B473
U03AS MAIN (PE0630)	C1002	75008342	CAPACITOR, CERAMIC CHIP(1005), CM05B473
U03AS MAIN (PE0630)	C1003	75008342	CAPACITOR, CERAMIC CHIP(1005), CM05B473
U03AS MAIN (PE0630)	C1004	75008342	CAPACITOR, CERAMIC CHIP(1005), CM05B473
U03AS MAIN (PE0630)	C1005	75008342	CAPACITOR, CERAMIC CHIP(1005), CM05B473
U03AS MAIN (PE0630)	C1006	75008342	CAPACITOR, CERAMIC CHIP(1005), CM05B473
U03AS MAIN (PE0630)	C1007	75009866	CAPACITOR, CERAMIC CHIP (1005), CM05W5R
U03AS MAIN (PE0630)	C1008	75008342	CAPACITOR, CERAMIC CHIP(1005), CM05B473
U03AS MAIN (PE0630)	C1009	75008342	CAPACITOR, CERAMIC CHIP(1005), CM05B473

U03AS MAIN (PE0630)	C1010	75008342	CAPACITOR, CERAMIC CHIP(1005), CM05B473
U03AS MAIN (PE0630)	C1011	75009866	CAPACITOR, CERAMIC CHIP (1005), CM05W5R
U03AS MAIN (PE0630)	C1012	75009867	CAPACITOR, CERAMIC CHIP (1005), CM05B104
U03AS MAIN (PE0630)	C1013	75009867	CAPACITOR, CERAMIC CHIP (1005), CM05B104
U03AS MAIN (PE0630)	C1014	75009867	CAPACITOR, CERAMIC CHIP (1005), CM05B104
U03AS MAIN (PE0630)	C1015	75012559	CAPACITOR, CERA CHIP, 10V JB 473K 1005 SI
U03AS MAIN (PE0630)	C1016	75012559	CAPACITOR, CERA CHIP, 10V JB 473K 1005 SI
U03AS MAIN (PE0630)	C1017	75012559	CAPACITOR, CERA CHIP, 10V JB 473K 1005 SI
U03AS MAIN (PE0630)	C1018	75012559	CAPACITOR, CERA CHIP, 10V JB 473K 1005 SI
U03AS MAIN (PE0630)	C1019	75012559	CAPACITOR, CERA CHIP, 10V JB 473K 1005 SI
U03AS MAIN (PE0630)	C1020	75012559	CAPACITOR, CERA CHIP, 10V JB 473K 1005 SI
U03AS MAIN (PE0630)	C1021	75012559	CAPACITOR, CERA CHIP, 10V JB 473K 1005 SI
U03AS MAIN (PE0630)	C1022	75009867	CAPACITOR, CERAMIC CHIP (1005), CM05B104
U03AS MAIN (PE0630)	C1023	75009881	CAPACITOR, CERAMIC CHIP (2012), C2012JB1
U03AS MAIN (PE0630)	C1024	75009871	CAPACITOR, CERAMIC CHIP (1005), GRM15521
U03AS MAIN (PE0630)	C1025	75009836	JUMPER, CHIP 1005TYPE, CR1/16S 000V PB(F
U03AS MAIN (PE0630)	C1100	75012556	CAPACITOR, CERA CHIP, 50V JB 331K 1005 SI
U03AS MAIN (PE0630)	C1101	75012556	CAPACITOR, CERA CHIP, 50V JB 331K 1005 SI
U03AS MAIN (PE0630)	C1102	75012556	CAPACITOR, CERA CHIP, 50V JB 331K 1005 SI
U03AS MAIN (PE0630)	C1103	75012556	CAPACITOR, CERA CHIP, 50V JB 331K 1005 SI
U03AS MAIN (PE0630)	C1104	75012556	CAPACITOR, CERA CHIP, 50V JB 331K 1005 SI
U03AS MAIN (PE0630)	C1105	75012556	CAPACITOR, CERA CHIP, 50V JB 331K 1005 SI
U03AS MAIN (PE0630)	C1106	75012556	CAPACITOR, CERA CHIP, 50V JB 331K 1005 SI
U03AS MAIN (PE0630)	C1107	75012556	CAPACITOR, CERA CHIP, 50V JB 331K 1005 SI
U03AS MAIN (PE0630)	C1108	75009932	CAPACITOR, CARAMIC CHIP (1005), CM05W5R
U03AS MAIN (PE0630)	C1109	75009932	CAPACITOR, CARAMIC CHIP (1005), CM05W5R
U03AS MAIN (PE0630)	C1110	75009932	CAPACITOR, CARAMIC CHIP (1005), CM05W5R
U03AS MAIN (PE0630)	C1111	75009932	CAPACITOR, CARAMIC CHIP (1005), CM05W5R
U03AS MAIN (PE0630)	C1112	75009932	CAPACITOR, CARAMIC CHIP (1005), CM05W5R
U03AS MAIN (PE0630)	C1113	75009932	CAPACITOR, CARAMIC CHIP (1005), CM05W5R
U03AS MAIN (PE0630)	C1114	75009932	CAPACITOR, CARAMIC CHIP (1005), CM05W5R
U03AS MAIN (PE0630)	C1115	75009932	CAPACITOR, CARAMIC CHIP (1005), CM05W5R
U03AS MAIN (PE0630)	C1116	75005754	CAPACITOR, CERAMIC CHIP, GRM188B31A225
U03AS MAIN (PE0630)	C1117	75005754	CAPACITOR, CERAMIC CHIP, GRM188B31A225
U03AS MAIN (PE0630)	C1118	75005754	CAPACITOR, CERAMIC CHIP, GRM188B31A225
U03AS MAIN (PE0630)	C1119	75005754	CAPACITOR, CERAMIC CHIP, GRM188B31A225
U03AS MAIN (PE0630)	C1120	75005754	CAPACITOR, CERAMIC CHIP, GRM188B31A225
U03AS MAIN (PE0630)	C1121	75005754	CAPACITOR, CERAMIC CHIP, GRM188B31A225
U03AS MAIN (PE0630)	C1122	75005754	CAPACITOR, CERAMIC CHIP, GRM188B31A225
U03AS MAIN (PE0630)	C1123	75005754	CAPACITOR, CERAMIC CHIP, GRM188B31A225
U03AS MAIN (PE0630)	C1124	75009875	CAPACITOR, CERAMIC CHIP (1608), GRM188B
U03AS MAIN (PE0630)	C1125	75012562	CAPACITOR, CERAMIC CHIP(1005), EMK105BJ
U03AS MAIN (PE0630)	C1126	75012562	CAPACITOR, CERAMIC CHIP(1005), EMK105BJ
U03AS MAIN (PE0630)	C1127	75005814	CAPACITOR, CERAMIC CHIP, 2012 GRM21BB31
U03AS MAIN (PE0630)	C1128	75009869	CAPACITOR, CERAMIC CHIP (1005), CM05X5R
U03AS MAIN (PE0630)	C1130	75006008	CAPACITOR, CERAMIC CHIP (2012), GRM21BB
U03AS MAIN (PE0630)	C1131	75009875	CAPACITOR, CERAMIC CHIP (1608), GRM188B





U03AS MAIN (PE0630)	C1606	75009867	CAPACITOR, CERAMIC CHIP (1005), CM05B104
U03AS MAIN (PE0630)	C1607	75009867	CAPACITOR, CERAMIC CHIP (1005), CM05B104
U03AS MAIN (PE0630)	C1608	75009867	CAPACITOR, CERAMIC CHIP (1005), CM05B104
U03AS MAIN (PE0630)	C1609	75009867	CAPACITOR, CERAMIC CHIP (1005), CM05B104
U03AS MAIN (PE0630)	C1610	75009867	CAPACITOR, CERAMIC CHIP (1005), CM05B104
U03AS MAIN (PE0630)	C1701	75009867	CAPACITOR, CERAMIC CHIP (1005), CM05B104
U03AS MAIN (PE0630)	C1702	75009867	CAPACITOR, CERAMIC CHIP (1005), CM05B104
U03AS MAIN (PE0630)	C1703	75009867	CAPACITOR, CERAMIC CHIP (1005), CM05B104
U03AS MAIN (PE0630)	C2000	75009875	CAPACITOR, CERAMIC CHIP (1608), GRM188B
U03AS MAIN (PE0630)	C2001	75005754	CAPACITOR, CERAMIC CHIP, GRM188B31A225
U03AS MAIN (PE0630)	C2105	75005814	CAPACITOR, CERAMIC CHIP, 2012 GRM21BB31
U03AS MAIN (PE0630)	C2106	75005814	CAPACITOR, CERAMIC CHIP, 2012 GRM21BB31
U03AS MAIN (PE0630)	C2107	75007611	CAPACITOR, CERAMIC CHIP(1005), GRM155B1
U03AS MAIN (PE0630)	C2108	75007611	CAPACITOR, CERAMIC CHIP(1005), GRM155B1
U03AS MAIN (PE0630)	C2109	75009872	CAPACITOR, ELECTROLYTIC CHIP, EEEHB1C10
U03AS MAIN (PE0630)	C2203	75005814	CAPACITOR, CERAMIC CHIP, 2012 GRM21BB31
U03AS MAIN (PE0630)	C2204	75005814	CAPACITOR, CERAMIC CHIP, 2012 GRM21BB31
U03AS MAIN (PE0630)	C2205	75007611	CAPACITOR, CERAMIC CHIP(1005), GRM155B1
U03AS MAIN (PE0630)	C2206	75007611	CAPACITOR, CERAMIC CHIP(1005), GRM155B1
U03AS MAIN (PE0630)	C2207	75009872	CAPACITOR, ELECTROLYTIC CHIP, EEEHB1C10
U03AS MAIN (PE0630)	C2208	75009872	CAPACITOR, ELECTROLYTIC CHIP, EEEHB1C10
U03AS MAIN (PE0630)	C2401	75007605	CAPACITOR, CERAMIC CHIP(1005), CM05W5R
U03AS MAIN (PE0630)	C2402	75007605	CAPACITOR, CERAMIC CHIP(1005), CM05W5R
U03AS MAIN (PE0630)	C2403	75009866	CAPACITOR, CERAMIC CHIP (1005), CM05W5R
U03AS MAIN (PE0630)	C2404	75009866	CAPACITOR, CERAMIC CHIP (1005), CM05W5R
U03AS MAIN (PE0630)	C2405	75009866	CAPACITOR, CERAMIC CHIP (1005), CM05W5R
U03AS MAIN (PE0630)	C2406	75009866	CAPACITOR, CERAMIC CHIP (1005), CM05W5R
U03AS MAIN (PE0630)	C2701	75009869	CAPACITOR, CERAMIC CHIP (1005), CM05X5R
U03AS MAIN (PE0630)	C2702	75009869	CAPACITOR, CERAMIC CHIP (1005), CM05X5R
U03AS MAIN (PE0630)	C2704	75006011	CAPACITOR, ELECTROLYTIC CHIP, EEEHB1A10
U03AS MAIN (PE0630)	C2705	75007607	CAPACITOR, ELECTROLYTIC CHIP, 16SGV470M
U03AS MAIN (PE0630)	C2711	75009869	CAPACITOR, CERAMIC CHIP (1005), CM05X5R
U03AS MAIN (PE0630)	C2712	75009869	CAPACITOR, CERAMIC CHIP (1005), CM05X5R
U03AS MAIN (PE0630)	C2715	75007607	CAPACITOR, ELECTROLYTIC CHIP, 16SGV470M
U03AS MAIN (PE0630)	C2805	75009867	CAPACITOR, CERAMIC CHIP (1005), CM05B104
U03AS MAIN (PE0630)	C2806	75009869	CAPACITOR, CERAMIC CHIP (1005), CM05X5R
U03AS MAIN (PE0630)	C2807	75002272	CAPACITOR, CERAMIC CHIP, 25V CH 220PF J,
U03AS MAIN (PE0630)	C2808	75007604	CAPACITOR, CERAMIC CHI(1005), CM05W5R1
U03AS MAIN (PE0630)	C2809	75007605	CAPACITOR, CERAMIC CHIP(1005), CM05W5R
U03AS MAIN (PE0630)	C2810	75009867	CAPACITOR, CERAMIC CHIP (1005), CM05B104
U03AS MAIN (PE0630)	C2900	75005754	CAPACITOR, CERAMIC CHIP, GRM188B31A225
U03AS MAIN (PE0630)	C2901	75005754	CAPACITOR, CERAMIC CHIP, GRM188B31A225
U03AS MAIN (PE0630)	C2905	75005754	CAPACITOR, CERAMIC CHIP, GRM188B31A225
U03AS MAIN (PE0630)	C3000	75009867	CAPACITOR, CERAMIC CHIP (1005), CM05B104
U03AS MAIN (PE0630)	C3001	75009867	CAPACITOR, CERAMIC CHIP (1005), CM05B104
U03AS MAIN (PE0630)	C3004	75009856	CAPACITOR, CERAMIC CHIP (1608), CM105W5
U03AS MAIN (PE0630)	C3005	75009856	CAPACITOR, CERAMIC CHIP (1608), CM105W5

U03AS MAIN (PE0630)	C3006	75009856	CAPACITOR, CERAMIC CHIP (1608), CM105W5
U03AS MAIN (PE0630)	C3007	75009867	CAPACITOR, CERAMIC CHIP (1005), CM05B104
U03AS MAIN (PE0630)	C3008	75009877	CAPACITOR, CERAMIC CHIP (1005), GRM155B
U03AS MAIN (PE0630)	C3009	75009867	CAPACITOR, CERAMIC CHIP (1005), CM05B104
U03AS MAIN (PE0630)	C3010	75009877	CAPACITOR, CERAMIC CHIP (1005), GRM155B
U03AS MAIN (PE0630)	C3011	75009867	CAPACITOR, CERAMIC CHIP (1005), CM05B104
U03AS MAIN (PE0630)	C3013	75009877	CAPACITOR, CERAMIC CHIP (1005), GRM155B
U03AS MAIN (PE0630)	C3014	75009867	CAPACITOR, CERAMIC CHIP (1005), CM05B104
U03AS MAIN (PE0630)	C3015	75009877	CAPACITOR, CERAMIC CHIP (1005), GRM155B
U03AS MAIN (PE0630)	C3016	75009867	CAPACITOR, CERAMIC CHIP (1005), CM05B104
U03AS MAIN (PE0630)	C3017	75009877	CAPACITOR, CERAMIC CHIP (1005), GRM155B
U03AS MAIN (PE0630)	C3018	75009867	CAPACITOR, CERAMIC CHIP (1005), CM05B104
U03AS MAIN (PE0630)	C3019	75009877	CAPACITOR, CERAMIC CHIP (1005), GRM155B
U03AS MAIN (PE0630)	C3020	75012555	CAPACITOR, CERA CHIP, 50V CH 470J 1005 SI
U03AS MAIN (PE0630)	C3021	75012555	CAPACITOR, CERA CHIP, 50V CH 470J 1005 SI
U03AS MAIN (PE0630)	C3022	75009867	CAPACITOR, CERAMIC CHIP (1005), CM05B104
U03AS MAIN (PE0630)	C3501	75009867	CAPACITOR, CERAMIC CHIP (1005), CM05B104
U03AS MAIN (PE0630)	C3502	75009867	CAPACITOR, CERAMIC CHIP (1005), CM05B104
U03AS MAIN (PE0630)	C3503	75009861	CAPACITOR, CERAMIC CHIP (1608), CM105B10
U03AS MAIN (PE0630)	C5201	75007603	CAPACITOR, CERAMIC CHIP(1005), CM05CH10
U03AS MAIN (PE0630)	C5202	75009867	CAPACITOR, CERAMIC CHIP (1005), CM05B104
U03AS MAIN (PE0630)	C5203	75007603	CAPACITOR, CERAMIC CHIP(1005), CM05CH10
U03AS MAIN (PE0630)	C5204	75007603	CAPACITOR, CERAMIC CHIP(1005), CM05CH10
U03AS MAIN (PE0630)	C5205	75007603	CAPACITOR, CERAMIC CHIP(1005), CM05CH10
U03AS MAIN (PE0630)	C6000	75009862	CAPACITOR, CERAMIC CHIP (3216), GRM31CB
U03AS MAIN (PE0630)	C6001	75009862	CAPACITOR, CERAMIC CHIP (3216), GRM31CB
U03AS MAIN (PE0630)	C6002	75007603	CAPACITOR, CERAMIC CHIP(1005), CM05CH10
U03AS MAIN (PE0630)	C6003	75007603	CAPACITOR, CERAMIC CHIP(1005), CM05CH10
U03AS MAIN (PE0630)	C6004	75007609	CAPACITOR, ELECTROLYTIC CHIP, EEEFK1E47
U03AS MAIN (PE0630)	C6005	75006008	CAPACITOR, CERAMIC CHIP (2012), GRM21BB
U03AS MAIN (PE0630)	C6029	75009862	CAPACITOR, CERAMIC CHIP (3216), GRM31CB
U03AS MAIN (PE0630)	C6030	75009862	CAPACITOR, CERAMIC CHIP (3216), GRM31CB
U03AS MAIN (PE0630)	C6060	75007603	CAPACITOR, CERAMIC CHIP(1005), CM05CH10
U03AS MAIN (PE0630)	C6063	75007603	CAPACITOR, CERAMIC CHIP(1005), CM05CH10
U03AS MAIN (PE0630)	C6066	75007609	CAPACITOR, ELECTROLYTIC CHIP, EEEFK1E47
U03AS MAIN (PE0630)	C6101	75005755	CAPACITOR, CERAMIC CHIP, GRM1552C1H390
U03AS MAIN (PE0630)	C6102	75006010	CAPACITOR, CERAMIC CHIP (1608), GRM188B
U03AS MAIN (PE0630)	C6103	75009927	CAPACITOR, CERAMIC CHIP (1608), CM105B10
U03AS MAIN (PE0630)	C6104	75009927	CAPACITOR, CERAMIC CHIP (1608), CM105B10
U03AS MAIN (PE0630)	C6105	75009927	CAPACITOR, CERAMIC CHIP (1608), CM105B10
U03AS MAIN (PE0630)	C6106	75005709	CAPACITOR, CHIP CERA, 50V B 0.47UF K, GRM
U03AS MAIN (PE0630)	C6107	75009853	CAPACITOR, CERAMIC CHIP (1608), CM105W5
U03AS MAIN (PE0630)	C6108	75009853	CAPACITOR, CERAMIC CHIP (1608), CM105W5
U03AS MAIN (PE0630)	C6109	75009853	CAPACITOR, CERAMIC CHIP (1608), CM105W5
U03AS MAIN (PE0630)	C6110	75005755	CAPACITOR, CERAMIC CHIP, GRM1552C1H390
U03AS MAIN (PE0630)	C6111	75009927	CAPACITOR, CERAMIC CHIP (1608), CM105B10
U03AS MAIN (PE0630)	C6112	75009927	CAPACITOR, CERAMIC CHIP (1608), CM105B10

U03AS MAIN (PE0630)	C6113	75009927	CAPACITOR, CERAMIC CHIP (1608), CM105B1C
U03AS MAIN (PE0630)	C6114	75009927	CAPACITOR, CERAMIC CHIP (1608), CM105B1C
U03AS MAIN (PE0630)	C6115	75005709	CAPACITOR, CHIP CERA, 50V B 0.47UF K, GR
U03AS MAIN (PE0630)	C6116	75009853	CAPACITOR, CERAMIC CHIP (1608), CM105W5
U03AS MAIN (PE0630)	C6117	75009853	CAPACITOR, CERAMIC CHIP (1608), CM105W5
U03AS MAIN (PE0630)	C6118	75009853	CAPACITOR, CERAMIC CHIP (1608), CM105W5
U03AS MAIN (PE0630)	C6119	75006010	CAPACITOR, CERAMIC CHIP (1608), GRM188B
U03AS MAIN (PE0630)	C6120	75009927	CAPACITOR, CERAMIC CHIP (1608), CM105B1C
U03AS MAIN (PE0630)	C6121	75009927	CAPACITOR, CERAMIC CHIP (1608), CM105B1C
U03AS MAIN (PE0630)	C6122	75010772	CAPACITOR, CERAMIC CHIP (2012), CM21B106
U03AS MAIN (PE0630)	C6124	75008346	CAPACITOR, CERAMIC CHIP(1005), GRM155B3
U03AS MAIN (PE0630)	C6125	75008340	CAPACITOR, CERAMIC CHIP(1005), CM05W5R
U03AS MAIN (PE0630)	C6126	76073057	CAPACITOR, ELECTROLYTIC, 25V 1000UF M
U03AS MAIN (PE0630)	C6127	75010144	CAPACITOR, CERAMIC CHIP (1608), CM105CH
U03AS MAIN (PE0630)	C6128	75009868	CAPACITOR, CERAMIC CHIP (1608), CM105X5F
U03AS MAIN (PE0630)	C6129	75009867	CAPACITOR, CERAMIC CHIP (1005), CM05B10
U03AS MAIN (PE0630)	C6130	75009927	CAPACITOR, CERAMIC CHIP (1608), CM105B1C
U03AS MAIN (PE0630)	C6131	75002273	CAPACITOR, CERAMIC CHIP, 50V R 680PF K, C
U03AS MAIN (PE0630)	C6132	75010714	CAPACITOR, CERAMIC CHIP (1005), GRM155B
U03AS MAIN (PE0630)	C6133	75009877	CAPACITOR, CERAMIC CHIP (1005), GRM155B
U03AS MAIN (PE0630)	C6134	75009878	CAPACITOR, CERAMIC CHIP (1608), GRM188B
U03AS MAIN (PE0630)	C6136	75006008	CAPACITOR, CERAMIC CHIP (2012), GRM21BB
U03AS MAIN (PE0630)	C6137	75009927	CAPACITOR, CERAMIC CHIP (1608), CM105B1C
U03AS MAIN (PE0630)	C6138	75010144	CAPACITOR, CERAMIC CHIP (1608), CM105CH
U03AS MAIN (PE0630)	C6139	75006010	CAPACITOR, CERAMIC CHIP (1608), GRM188B
U03AS MAIN (PE0630)	C6140	75006010	CAPACITOR, CERAMIC CHIP (1608), GRM188B
U03AS MAIN (PE0630)	C6301	75010499	CAPACITOR, ELECTROLYTIC CHIP, 16V 471M
U03AS MAIN (PE0630)	C6303	75007612	CAPACITOR, ELECTROLYTIC CHIP, MVJ50VC1
U03AS MAIN (PE0630)	C6401	75006008	CAPACITOR, CERAMIC CHIP (2012), GRM21BB
U03AS MAIN (PE0630)	C6402	75006008	CAPACITOR, CERAMIC CHIP (2012), GRM21BB
U03AS MAIN (PE0630)	C6403	75007605	CAPACITOR, CERAMIC CHIP(1005), CM05W5R
U03AS MAIN (PE0630)	C6404	75007605	CAPACITOR, CERAMIC CHIP(1005), CM05W5R
U03AS MAIN (PE0630)	C6405	75010709	CAPACITOR, CERAMIC CHIP (2012), CM21X5R
U03AS MAIN (PE0630)	C6406	75010709	CAPACITOR, CERAMIC CHIP (2012), CM21X5R
U03AS MAIN (PE0630)	C6407	75010771	CAPACITOR, ELECTROLYTIC CHIP, MVJ16VC4
U03AS MAIN (PE0630)	C6408	75010771	CAPACITOR, ELECTROLYTIC CHIP, MVJ16VC4
U03AS MAIN (PE0630)	C6409	75010771	CAPACITOR, ELECTROLYTIC CHIP, MVJ16VC4
U03AS MAIN (PE0630)	C6410	75010771	CAPACITOR, ELECTROLYTIC CHIP, MVJ16VC4
U03AS MAIN (PE0630)	C6411	75009872	CAPACITOR, ELECTROLYTIC CHIP, EEEHB1C1C
U03AS MAIN (PE0630)	C6412	75009853	CAPACITOR, CERAMIC CHIP (1608), CM105W5
U03AS MAIN (PE0630)	C6413	75010771	CAPACITOR, ELECTROLYTIC CHIP, MVJ16VC4
U03AS MAIN (PE0630)	C6415	75005754	CAPACITOR, CERAMIC CHIP, GRM188B31A225
U03AS MAIN (PE0630)	C6416	75012085	CAPACITOR, CERAMIC CHIP(1608), CM105CH1
U03AS MAIN (PE0630)	C7001	75009864	CAPACITOR, CERAMIC CHIP (1005), CM05Y5V
U03AS MAIN (PE0630)	C7002	75009864	CAPACITOR, CERAMIC CHIP (1005), CM05Y5V
U03AS MAIN (PE0630)	C7003	75009864	CAPACITOR, CERAMIC CHIP (1005), CM05Y5V
U03AS MAIN (PE0630)	C7004	75009864	CAPACITOR, CERAMIC CHIP (1005), CM05Y5V



U03AS MAIN (PE0630)	C8507	75009879	CAPACITOR, CERAMIC CHIP (1005), GRM1552I
U03AS MAIN (PE0630)	C8508	75009869	CAPACITOR, CERAMIC CHIP (1005), CM05X5R
U03AS MAIN (PE0630)	C8510	75006003	CAPACITOR, EMVE100ADA471MHA0G
U03AS MAIN (PE0630)	C8512	75007608	CAPACITOR, ELECTROLYTIC CHIP, MVJ50VC10
U03AS MAIN (PE0630)	C8514	75012560	CAPACITOR, CERA CHIP, 10V JB 104K 1005 SI
U03AS MAIN (PE0630)	C8515	75012560	CAPACITOR, CERA CHIP, 10V JB 104K 1005 SI
U03AS MAIN (PE0630)	C8517	75009863	CAPACITOR, CERAMIC CHIP (1005), CM05W5R
U03AS MAIN (PE0630)	C8518	75009863	CAPACITOR, CERAMIC CHIP (1005), CM05W5R
U03AS MAIN (PE0630)	C8520	75007603	CAPACITOR, CERAMIC CHIP(1005), CM05CH1C
U03AS MAIN (PE0630)	C8521	75007603	CAPACITOR, CERAMIC CHIP(1005), CM05CH1C
U03AS MAIN (PE0630)	C9003	75009856	CAPACITOR, CERAMIC CHIP (1608), CM105W5
U03AS MAIN (PE0630)	C9004	75009859	CAPACITOR, CERAMIC CHIP (1608), CM105CH
U03AS MAIN (PE0630)	C9005	75009856	CAPACITOR, CERAMIC CHIP (1608), CM105W5
U03AS MAIN (PE0630)	C9202	75009867	CAPACITOR, CERAMIC CHIP (1005), CM05B10-
U03AS MAIN (PE0630)	C9205	75009868	CAPACITOR, CERAMIC CHIP (1608), CM105X5F
U03AS MAIN (PE0630)	C9207	75009239	CAPACITOR, CERAMIC CHIP(1608), CM105W5F
U03AS MAIN (PE0630)	C9208	75009239	CAPACITOR, CERAMIC CHIP(1608), CM105W5F
U03AS MAIN (PE0630)	C9211	75009239	CAPACITOR, CERAMIC CHIP(1608), CM105W5F
U03AS MAIN (PE0630)	C9216	75009239	CAPACITOR, CERAMIC CHIP(1608), CM105W5F
U03AS MAIN (PE0630)	C9224	75009239	CAPACITOR, CERAMIC CHIP(1608), CM105W5F
U03AS MAIN (PE0630)	C9501	75009867	CAPACITOR, CERAMIC CHIP (1005), CM05B10-
U03AS MAIN (PE0630)	C9503	75009878	CAPACITOR, CERAMIC CHIP (1608), GRM188B
U03AS MAIN (PE0630)	C9504	75009881	CAPACITOR, CERAMIC CHIP (2012), C2012JB1
U03AS MAIN (PE0630)	C9506	75009878	CAPACITOR, CERAMIC CHIP (1608), GRM188B
U03AS MAIN (PE0630)	C9507	75009867	CAPACITOR, CERAMIC CHIP (1005), CM05B10-
U03AS MAIN (PE0630)	C9508	75009881	CAPACITOR, CERAMIC CHIP (2012), C2012JB1
U03AS MAIN (PE0630)	C9511	75007603	CAPACITOR, CERAMIC CHIP(1005), CM05CH1C
U03AS MAIN (PE0630)	C9513	75009881	CAPACITOR, CERAMIC CHIP (2012), C2012JB1
U03AS MAIN (PE0630)	C9514	75006005	CAPACITOR, CERAMIC CHIP (1005), CM05X7R
U03AS MAIN (PE0630)	C9515	75009877	CAPACITOR, CERAMIC CHIP (1005), GRM155B
U03AS MAIN (PE0630)	C9516	75009877	CAPACITOR, CERAMIC CHIP (1005), GRM155B
U03AS MAIN (PE0630)	C9517	75012557	CAPACITOR, CERA CHIP, 50V JB 102K 1005 SI
U03AS MAIN (PE0630)	C9518	75009874	CAPACITOR, CERAMIC CHIP (2012), GRM21BB
U03AS MAIN (PE0630)	C9519	75009874	CAPACITOR, CERAMIC CHIP (2012), GRM21BB
U03AS MAIN (PE0630)	C9534	75011120	CAPACITOR, CERAMIC CHIP (1005), CM05W5R
U03AS MAIN (PE0630)	C9535	75007603	CAPACITOR, CERAMIC CHIP(1005), CM05CH1C
U03AS MAIN (PE0630)	C9538	75006005	CAPACITOR, CERAMIC CHIP (1005), CM05X7R
U03AS MAIN (PE0630)	C9539	75009874	CAPACITOR, CERAMIC CHIP (2012), GRM21BB
U03AS MAIN (PE0630)	C9540	75009874	CAPACITOR, CERAMIC CHIP (2012), GRM21BB
U03AS MAIN (PE0630)	C9541	75009877	CAPACITOR, CERAMIC CHIP (1005), GRM155B
U03AS MAIN (PE0630)	C9542	75009877	CAPACITOR, CERAMIC CHIP (1005), GRM155B
U03AS MAIN (PE0630)	C9543	75009881	CAPACITOR, CERAMIC CHIP (2012), C2012JB1
U03AS MAIN (PE0630)	C9544	75012557	CAPACITOR, CERA CHIP, 50V JB 102K 1005 SI
U03AS MAIN (PE0630)	C9545	75009928	CAPACITOR, CERAMIC CHIP (1608), CM105B47
U03AS MAIN (PE0630)	C9546	75009867	CAPACITOR, CERAMIC CHIP (1005), CM05B10-
U03AS MAIN (PE0630)	C9547	75009867	CAPACITOR, CERAMIC CHIP (1005), CM05B10-
U03AS MAIN (PE0630)	C9548	75009867	CAPACITOR, CERAMIC CHIP (1005), CM05B10-

U03AS MAIN (PE0630)	C9549	75009867	CAPACITOR, CERAMIC CHIP (1005), CM05B104
U03AS MAIN (PE0630)	C9550	75009867	CAPACITOR, CERAMIC CHIP (1005), CM05B104
U03AS MAIN (PE0630)	C9551	75010503	CAPACITOR, CERAMIC CHIP (1005), GRM1552I
U03AS MAIN (PE0630)	C9552	75008346	CAPACITOR, CERAMIC CHIP(1005), GRM155B3
U03AS MAIN (PE0630)	C9553	75009881	CAPACITOR, CERAMIC CHIP (2012), C2012JB1
U03AS MAIN (PE0630)	C9554	75009881	CAPACITOR, CERAMIC CHIP (2012), C2012JB1
U03AS MAIN (PE0630)	C9555	75009881	CAPACITOR, CERAMIC CHIP (2012), C2012JB1
U03AS MAIN (PE0630)	C9556	75009881	CAPACITOR, CERAMIC CHIP (2012), C2012JB1
U03AS MAIN (PE0630)	C9557	75010503	CAPACITOR, CERAMIC CHIP (1005), GRM1552I
U03AS MAIN (PE0630)	C9558	75008346	CAPACITOR, CERAMIC CHIP(1005), GRM155B3
U03AS MAIN (PE0630)	C9559	75009876	CAPACITOR, CERAMIC CHIP (1608), GRM188B
U03AS MAIN (PE0630)	C9560	75009239	CAPACITOR, CERAMIC CHIP(1608), CM105W5F
U03AS MAIN (PE0630)	C9561	75009867	CAPACITOR, CERAMIC CHIP (1005), CM05B104
U03AS MAIN (PE0630)	C9562	75009867	CAPACITOR, CERAMIC CHIP (1005), CM05B104
U03AS MAIN (PE0630)	C9563	75009867	CAPACITOR, CERAMIC CHIP (1005), CM05B104
U03AS MAIN (PE0630)	C9564	75009867	CAPACITOR, CERAMIC CHIP (1005), CM05B104
U03AS MAIN (PE0630)	C9565	75009867	CAPACITOR, CERAMIC CHIP (1005), CM05B104
U03AS MAIN (PE0630)	C9566	75009932	CAPACITOR, CARAMIC CHIP (1005), CM05W5R
U03AS MAIN (PE0630)	C9601	75009882	CAPACITOR, CERAMIC CHIP (3216), C3216JB1
U03AS MAIN (PE0630)	C9602	75009882	CAPACITOR, CERAMIC CHIP (3216), C3216JB1
U03AS MAIN (PE0630)	C9603	75009853	CAPACITOR, CERAMIC CHIP (1608), CM105W5
U03AS MAIN (PE0630)	C9604	75009881	CAPACITOR, CERAMIC CHIP (2012), C2012JB1
U03AS MAIN (PE0630)	C9605	75009881	CAPACITOR, CERAMIC CHIP (2012), C2012JB1
U03AS MAIN (PE0630)	C9606	75009881	CAPACITOR, CERAMIC CHIP (2012), C2012JB1
U03AS MAIN (PE0630)	C9607	75009881	CAPACITOR, CERAMIC CHIP (2012), C2012JB1
U03AS MAIN (PE0630)	C9609	75009867	CAPACITOR, CERAMIC CHIP (1005), CM05B104
U03AS MAIN (PE0630)	C9611	75009873	CAPACITOR, CERAMIC CHIP (1608), GRM188B
U03AS MAIN (PE0630)	C9612	75009867	CAPACITOR, CERAMIC CHIP (1005), CM05B104
U03AS MAIN (PE0630)	C9613	75009929	CAPACITOR, CERAMIC CHIP (2012), C2012JF1
U03AS MAIN (PE0630)	C9614	75009929	CAPACITOR, CERAMIC CHIP (2012), C2012JF1
U03AS MAIN (PE0630)	C9618	75010714	CAPACITOR, CERAMIC CHIP (1005), GRM155B
U03AS MAIN (PE0630)	C9620	75009856	CAPACITOR, CERAMIC CHIP (1608), CM105W5
U03AS MAIN (PE0630)	C9621	75009876	CAPACITOR, CERAMIC CHIP (1608), GRM188B
U03AS MAIN (PE0630)	C9622	75009876	CAPACITOR, CERAMIC CHIP (1608), GRM188B
U03AS MAIN (PE0630)	C9649	75009875	CAPACITOR, CERAMIC CHIP (1608), GRM188B
U03AS MAIN (PE0630)	C9650	75009869	CAPACITOR, CERAMIC CHIP (1005), CM05X5R
U03AS MAIN (PE0630)	C9651	75009863	CAPACITOR, CERAMIC CHIP (1005), CM05W5R
U03AS MAIN (PE0630)	D1100	75010721	DIODE, ZENER, 02CZ6.2-Y(TE85R, F)
U03AS MAIN (PE0630)	D1101	75010721	DIODE, ZENER, 02CZ6.2-Y(TE85R, F)
U03AS MAIN (PE0630)	D1301	75010608	DIODE, 1SS388(TPH3, F)
U03AS MAIN (PE0630)	D1302	75010608	DIODE, 1SS388(TPH3, F)
U03AS MAIN (PE0630)	D1303	75010153	DIODE, ZENER, Udzste-176.2B
U03AS MAIN (PE0630)	D1304	75010153	DIODE, ZENER, Udzste-176.2B
U03AS MAIN (PE0630)	D1701	75010721	DIODE, ZENER, 02CZ6.2-Y(TE85R, F)
U03AS MAIN (PE0630)	D2105	75009899	DIODE, MA112-(TX)
U03AS MAIN (PE0630)	D2106	75009899	DIODE, MA112-(TX)
U03AS MAIN (PE0630)	D2201	75009899	DIODE, MA112-(TX)

U03AS MAIN (PE0630)	D2202	75009899	DIODE, MA112-(TX)
U03AS MAIN (PE0630)	D2800	75009899	DIODE, MA112-(TX)
U03AS MAIN (PE0630)	D6000	75011229	DIODE, ZENER, MAZS05100L
U03AS MAIN (PE0630)	D6002	75011229	DIODE, ZENER, MAZS05100L
U03AS MAIN (PE0630)	D6102	75012089	DIODE, MA2J11100L
U03AS MAIN (PE0630)	D6103	75012089	DIODE, MA2J11100L
U03AS MAIN (PE0630)	D6104	75012089	DIODE, MA2J11100L
U03AS MAIN (PE0630)	D6105	75012089	DIODE, MA2J11100L
U03AS MAIN (PE0630)	D6106	75012089	DIODE, MA2J11100L
U03AS MAIN (PE0630)	D6107	75012089	DIODE, MA2J11100L
U03AS MAIN (PE0630)	D6110	23357790	DIODE, ZENER, MA8220-M
U03AS MAIN (PE0630)	D6111	75012089	DIODE, MA2J11100L
U03AS MAIN (PE0630)	D6112	75012089	DIODE, MA2J11100L
U03AS MAIN (PE0630)	D6301	75009899	DIODE, MA112-(TX)
U03AS MAIN (PE0630)	D6302	75009899	DIODE, MA112-(TX)
U03AS MAIN (PE0630)	D6303	75009899	DIODE, MA112-(TX)
U03AS MAIN (PE0630)	D6304	75009899	DIODE, MA112-(TX)
U03AS MAIN (PE0630)	D6401	75012089	DIODE, MA2J11100L
U03AS MAIN (PE0630)	D6402	75012089	DIODE, MA2J11100L
U03AS MAIN (PE0630)	D6403	75012089	DIODE, MA2J11100L
U03AS MAIN (PE0630)	D6404	75012089	DIODE, MA2J11100L
U03AS MAIN (PE0630)	D9501	75009899	DIODE, MA112-(TX)
U03AS MAIN (PE0630)	D9502	75009899	DIODE, MA112-(TX)
U03AS MAIN (PE0630)	D9503	75009328	DIODE, RB055L-40
U03AS MAIN (PE0630)	D9505	75009900	DIODE, RB070M-30TFTR
U03AS MAIN (PE0630)	D9506	75009900	DIODE, RB070M-30TFTR
U03AS MAIN (PE0630)	D9508	75009899	DIODE, MA112-(TX)
U03AS MAIN (PE0630)	D9509	75009899	DIODE, MA112-(TX)
U03AS MAIN (PE0630)	D9601	75009328	DIODE, RB055L-40
U03AS MAIN (PE0630)	D9611	75010888	DIODE, RB160VA-40TR
U03AS MAIN (PE0630)	D9633	75008353	DIODE, 1SS352(TPH3, F)
U03AS MAIN (PE0630)	FL100	75003411	CHIP BEAD INDUCTOR, 220OHM 1.5A, FB MH1
U03AS MAIN (PE0630)	FL150	75003115	CHIP BEAD INDUCTOR, 220OHM 2.0A, BKP212
U03AS MAIN (PE0630)	FL151	75003112	CHIP BEAD INDUCTOR, 1.0KOHM 0.3A, BK160
U03AS MAIN (PE0630)	FL152	75003112	CHIP BEAD INDUCTOR, 1.0KOHM 0.3A, BK160
U03AS MAIN (PE0630)	FL153	75003114	CHIP BEAD INDUCTOR, 120OHMX4 0.2A, BK32
U03AS MAIN (PE0630)	FL154	75003113	CHIP BEAD INDUCTOR, 120OHM 0.5A, BK1608
U03AS MAIN (PE0630)	FL219	75010773	FILTER, SMD COMMON MODE, ACM2012-201-2
U03AS MAIN (PE0630)	FL220	75010773	FILTER, SMD COMMON MODE, ACM2012-201-2
U03AS MAIN (PE0630)	FL521	75003112	CHIP BEAD INDUCTOR, 1.0KOHM 0.3A, BK160
U03AS MAIN (PE0630)	FL522	75003112	CHIP BEAD INDUCTOR, 1.0KOHM 0.3A, BK160
U03AS MAIN (PE0630)	FL523	75003112	CHIP BEAD INDUCTOR, 1.0KOHM 0.3A, BK160
U03AS MAIN (PE0630)	FL524	75003112	CHIP BEAD INDUCTOR, 1.0KOHM 0.3A, BK160
U03AS MAIN (PE0630)	FL525	75003112	CHIP BEAD INDUCTOR, 1.0KOHM 0.3A, BK160
U03AS MAIN (PE0630)	FL526	75003114	CHIP BEAD INDUCTOR, 120OHMX4 0.2A, BK32
U03AS MAIN (PE0630)	FL702	75003410	CHIP BEAD INDUCTOR, 33OHM 4.0A, BKP2125
U03AS MAIN (PE0630)	FL800	75003115	CHIP BEAD INDUCTOR, 220OHM 2.0A, BKP212

U03AS MAIN (PE0630)	FL801	75003115	CHIP BEAD INDUCTOR, 220OHM 2.0A, BKP212
U03AS MAIN (PE0630)	FL851	75010717	FERRITE BEADS, CHIP, 700OHM 0.5A, BLM18E
U03AS MAIN (PE0630)	FL852	75009837	JUMPER, CHIP 1608TYPE, CR1/16 000V PB(F)
U03AS MAIN (PE0630)	FL853	75009837	JUMPER, CHIP 1608TYPE, CR1/16 000V PB(F)
U03AS MAIN (PE0630)	FL854	75009837	JUMPER, CHIP 1608TYPE, CR1/16 000V PB(F)
U03AS MAIN (PE0630)	FL900	75012564	FILTER, COMMON MODE, TCM2010L-131-4P-T
U03AS MAIN (PE0630)	FL901	75012564	FILTER, COMMON MODE, TCM2010L-131-4P-T
U03AS MAIN (PE0630)	FL902	75012564	FILTER, COMMON MODE, TCM2010L-131-4P-T
U03AS MAIN (PE0630)	FL950	75003115	CHIP BEAD INDUCTOR, 220OHM 2.0A, BKP212
U03AS MAIN (PE0630)	FL951	75003115	CHIP BEAD INDUCTOR, 220OHM 2.0A, BKP212
U03AS MAIN (PE0630)	FL952	75003115	CHIP BEAD INDUCTOR, 220OHM 2.0A, BKP212
U03AS MAIN (PE0630)	FL953	75003115	CHIP BEAD INDUCTOR, 220OHM 2.0A, BKP212
U03AS MAIN (PE0630)	FL954	75003115	CHIP BEAD INDUCTOR, 220OHM 2.0A, BKP212
U03AS MAIN (PE0630)	FL955	75003115	CHIP BEAD INDUCTOR, 220OHM 2.0A, BKP212
U03AS MAIN (PE0630)	FL956	75003117	CHIP BEAD INDUCTOR, 180OHM 1.5A, BKP160
U03AS MAIN (PE0630)	FL957	75003115	CHIP BEAD INDUCTOR, 220OHM 2.0A, BKP212
U03AS MAIN (PE0630)	FL958	75003115	CHIP BEAD INDUCTOR, 220OHM 2.0A, BKP212
U03AS MAIN (PE0630)	FL959	75003115	CHIP BEAD INDUCTOR, 220OHM 2.0A, BKP212
U03AS MAIN (PE0630)	FL960	75003115	CHIP BEAD INDUCTOR, 220OHM 2.0A, BKP212
U03AS MAIN (PE0630)	FL961	75003115	CHIP BEAD INDUCTOR, 220OHM 2.0A, BKP212
U03AS MAIN (PE0630)	FL962	75009852	CAPACITOR CERAMIC CHIP, 25V 104S
U03AS MAIN (PE0630)	FL963	75003115	CHIP BEAD INDUCTOR, 220OHM 2.0A, BKP212
U03AS MAIN (PE0630)	FL964	75003115	CHIP BEAD INDUCTOR, 220OHM 2.0A, BKP212
U03AS MAIN (PE0630)	FL965	75003115	CHIP BEAD INDUCTOR, 220OHM 2.0A, BKP212
U03AS MAIN (PE0630)	FL966	75009240	CAPACITOR, THREE TERMINAL CHIP, CKD510.
U03AS MAIN (PE0630)	FL967	75009837	JUMPER, CHIP 1608TYPE, CR1/16 000V PB(F)
U03AS MAIN (PE0630)	FL968	75009837	JUMPER, CHIP 1608TYPE, CR1/16 000V PB(F)
U03AS MAIN (PE0630)	FL969	75009837	JUMPER, CHIP 1608TYPE, CR1/16 000V PB(F)
U03AS MAIN (PE0630)	FL970	75003115	CHIP BEAD INDUCTOR, 220OHM 2.0A, BKP212
U03AS MAIN (PE0630)	FL971	75003115	CHIP BEAD INDUCTOR, 220OHM 2.0A, BKP212
U03AS MAIN (PE0630)	FL974	75009943	INDUCTOR, CHIP BEADS (1608), MPZ1608S221
U03AS MAIN (PE0630)	FL975	75009240	CAPACITOR, THREE TERMINAL CHIP, CKD510.
U03AS MAIN (PE0630)	FL976	75009943	INDUCTOR, CHIP BEADS (1608), MPZ1608S221
U03AS MAIN (PE0630)	FL977	75009240	CAPACITOR, THREE TERMINAL CHIP, CKD510.
U03AS MAIN (PE0630)	FL978	75008351	INDUCTOR, CHIP BEADS(1608), MPZ1608S300.
U03AS MAIN (PE0630)	FL980	75010306	BEADS INDUCTOR, CHIP (2012), MPZ2012S221
U03AS MAIN (PE0630)	FL981	75010306	BEADS INDUCTOR, CHIP (2012), MPZ2012S221
U03AS MAIN (PE0630)	IC100	75012569	IC, TM2338AL-LF
U03AS MAIN (PE0630)	IC150	75010726	IC, AT25DF321-SU
U03AS MAIN (PE0630)	IC151	75010726	IC, AT25DF321-SU
U03AS MAIN (PE0630)	IC152	75009046	IC, AT24C64CN-SH-T
U03AS MAIN (PE0630)	IC153	75012570	IC, PST3528NR
U03AS MAIN (PE0630)	IC160	75008355	IC, HY5DU561622ETP-4-C
U03AS MAIN (PE0630)	IC170	75012623	IC, M62320FP#DF5G
U03AS MAIN (PE0630)	IC171	75012623	IC, M62320FP#DF5G
U03AS MAIN (PE0630)	IC172	75012623	IC, M62320FP#DF5G
U03AS MAIN (PE0630)	IC200	75012567	IC, TC74HC4052A



U03AS MAIN (PE0630)	IC271	23085823	IC, MM1508XNRE
U03AS MAIN (PE0630)	IC272	23085823	IC, MM1508XNRE
U03AS MAIN (PE0630)	IC330	75008004	IC, CXB1444R-T6
U03AS MAIN (PE0630)	IC340	75011915	IC, M24C02-WMN6TP
U03AS MAIN (PE0630)	IC341	75012568	IC, TC7WBL125AFK(T5L, F
U03AS MAIN (PE0630)	IC350	75009903	IC, TC7SET08FU(TE85L, F
U03AS MAIN (PE0630)	IC351	75009903	IC, TC7SET08FU(TE85L, F
U03AS MAIN (PE0630)	IC387	75012571	IC, CAT24C08WI-GT3-H-RECV
U03AS MAIN (PE0630)	IC388	75008003	IC, TC7WB66FK(TE85L, F)
U03AS MAIN (PE0630)	IC602	75006542	IC, PQ033DNA1ZPH
U03AS MAIN (PE0630)	IC603	75009451	IC, STA333W13TR
U03AS MAIN (PE0630)	IC604	75010891	IC, TC7WBD125AFK(T5L, F
U03AS MAIN (PE0630)	IC610	75009908	IC, OP AMP, RC4580IPWR
U03AS MAIN (PE0630)	IC611	75009908	IC, OP AMP, RC4580IPWR
U03AS MAIN (PE0630)	IC641	75004445	IC, BH3544F-E2
U03AS MAIN (PE0630)	IC701	75012565	IC, TC74VHC244FK(EL, K)
U03AS MAIN (PE0630)	IC702	75012565	IC, TC74VHC244FK(EL, K)
U03AS MAIN (PE0630)	IC703	75012566	IC, TC74VHCT244AFK(E, K
U03AS MAIN (PE0630)	IC705	75012566	IC, TC74VHCT244AFK(E, K
U03AS MAIN (PE0630)	IC707	75012566	IC, TC74VHCT244AFK(E, K
U03AS MAIN (PE0630)	IC708	75012565	IC, TC74VHC244FK(EL, K)
U03AS MAIN (PE0630)	IC709	75012566	IC, TC74VHCT244AFK(E, K
U03AS MAIN (PE0630)	IC710	75012566	IC, TC74VHCT244AFK(E, K
U03AS MAIN (PE0630)	IC711	75001217	IC, TC7SH04FU
U03AS MAIN (PE0630)	IC712	75009954	IC, GATE, TC7W32FU(TE12L, F)
U03AS MAIN (PE0630)	IC713	75012566	IC, TC74VHCT244AFK(E, K
U03AS MAIN (PE0630)	IC714	75012565	IC, TC74VHC244FK(EL, K)
U03AS MAIN (PE0630)	IC716	75008688	IC, AAT4610AIGV-T1
U03AS MAIN (PE0630)	IC717	75009953	IC, GATE, TC7SH08FU(TE85L, F)
U03AS MAIN (PE0630)	IC781	75009953	IC, GATE, TC7SH08FU(TE85L, F)
U03AS MAIN (PE0630)	IC802	75011456	IC, DRX3975D-QI-B1
U03AS MAIN (PE0630)	IC921	75009902	IC, TC7SH86FU(TE85L, F)
U03AS MAIN (PE0630)	IC950	75010728	IC, PQ033ENA1ZPH
U03AS MAIN (PE0630)	IC951	75010728	IC, PQ033ENA1ZPH
U03AS MAIN (PE0630)	IC952	75010732	IC, MP2108DK-LF-Z
U03AS MAIN (PE0630)	IC953	75010732	IC, MP2108DK-LF-Z
U03AS MAIN (PE0630)	IC954	75010520	IC, MM1662GHBE
U03AS MAIN (PE0630)	IC955	75002293	IC, MM1661JHBE
U03AS MAIN (PE0630)	IC957	75002320	IC, TC7SH32FU(TE85L, F)
U03AS MAIN (PE0630)	IC960	75010898	IC, MP2367DNE-LF-Z
U03AS MAIN (PE0630)	IC961	75004806	IC, PQ6CU12X2APQ
U03AS MAIN (PE0630)	IC962	75005774	IC, R1154N090B-TR-F
U03AS MAIN (PE0630)	L1501	75003410	CHIP BEAD INDUCTOR, 33OHM 4.0A, BKP2125
U03AS MAIN (PE0630)	L1502	75003410	CHIP BEAD INDUCTOR, 33OHM 4.0A, BKP2125
U03AS MAIN (PE0630)	L2101	75009887	INDUCTOR, BEADS CHIP, BLM11A121SPT
U03AS MAIN (PE0630)	L2102	75009887	INDUCTOR, BEADS CHIP, BLM11A121SPT
U03AS MAIN (PE0630)	L2201	75009887	INDUCTOR, BEADS CHIP, BLM11A121SPT

U03AS MAIN (PE0630)	L2202	75009887	INDUCTOR, BEADS CHIP, BLM11A121SPT
U03AS MAIN (PE0630)	L2701	23103314	COIL, FILTER, TEM2028AH
U03AS MAIN (PE0630)	L2706	23246651	COIL, CHIP, TRF4100CG
U03AS MAIN (PE0630)	L6101	75008364	COIL, CHOKE, 22MMH M 1.7A, SLF7055T-220A
U03AS MAIN (PE0630)	L6102	75008364	COIL, CHOKE, 22MMH M 1.7A, SLF7055T-220A
U03AS MAIN (PE0630)	L6103	75008364	COIL, CHOKE, 22MMH M 1.7A, SLF7055T-220A
U03AS MAIN (PE0630)	L6104	75008364	COIL, CHOKE, 22MMH M 1.7A, SLF7055T-220A
U03AS MAIN (PE0630)	L6105	75008351	INDUCTOR, CHIP BEADS(1608), MPZ1608S300.
U03AS MAIN (PE0630)	L6106	75010718	BEADS INDUCTOR, CHIP, BLM11A102SPT
U03AS MAIN (PE0630)	L6108	75010306	BEADS INDUCTOR, CHIP (2012), MPZ2012S221
U03AS MAIN (PE0630)	L8501	23248385	COIL, CHOKE, TLN3278AA
U03AS MAIN (PE0630)	L9016	75003410	CHIP BEAD INDUCTOR, 33OHM 4.0A, BKP2125
U03AS MAIN (PE0630)	L9020	75003410	CHIP BEAD INDUCTOR, 33OHM 4.0A, BKP2125
U03AS MAIN (PE0630)	L9021	75003411	CHIP BEAD INDUCTOR, 220OHM 1.5A, FB MH1
U03AS MAIN (PE0630)	L9022	75003411	CHIP BEAD INDUCTOR, 220OHM 1.5A, FB MH1
U03AS MAIN (PE0630)	L9023	75003411	CHIP BEAD INDUCTOR, 220OHM 1.5A, FB MH1
U03AS MAIN (PE0630)	L9026	75003411	CHIP BEAD INDUCTOR, 220OHM 1.5A, FB MH1
U03AS MAIN (PE0630)	L9027	75003411	CHIP BEAD INDUCTOR, 220OHM 1.5A, FB MH1
U03AS MAIN (PE0630)	L9028	75003411	CHIP BEAD INDUCTOR, 220OHM 1.5A, FB MH1
U03AS MAIN (PE0630)	L9029	75003410	CHIP BEAD INDUCTOR, 33OHM 4.0A, BKP2125
U03AS MAIN (PE0630)	L9501	75009884	INDUCTOR, CHIP, SLF7032T-4R7M1R7-2PF
U03AS MAIN (PE0630)	L9502	75009884	INDUCTOR, CHIP, SLF7032T-4R7M1R7-2PF
U03AS MAIN (PE0630)	L9601	75010980	COIL, CHOKE, 15MMH 3.1A, SLF10165T-150M.
U03AS MAIN (PE0630)	L9612	75010869	INDUCTOR, CHIP (3225), NLCV32T-680K-PF
U03AS MAIN (PE0630)	L9613	75010870	INDUCTOR, CHIP (3225), NLCV32T-2R2M-PF
U03AS MAIN (PE0630)	NB001	23961276	SOLDER CREAM
U03AS MAIN (PE0630)	NB002	23961260	ER M708E-3.0
U03AS MAIN (PE0630)	NB003	23961257	R M708E 400G
U03AS MAIN (PE0630)	NB004	23961293	S-1061SP-2 C
U03AS MAIN (PE0630)	NB005	23961265	M705ESC 1.0
U03AS MAIN (PE0630)	NB006	23961267	M705ESC 1.6
U03AS MAIN (PE0630)	NB007	23962411	AD EP 3609
U03AS MAIN (PE0630)	NB008	23964124	SOL #4520 UN
U03AS MAIN (PE0630)	P150A	75010719	CONNECTOR, 87BFN-030S-1F
U03AS MAIN (PE0630)	P322A	75010374	CONNECTOR, BM31B-SHLVS-G-TBT(LF)(SN)
U03AS MAIN (PE0630)	P521A	75010879	CONNECTOR, B12B-PH-K-S(LF)(SN)
U03AS MAIN (PE0630)	P601	75002147	CONNECTOR, B4B-EH(LF)
U03AS MAIN (PE0630)	P6061	23365444	EARPHONE JACK, D3.5
U03AS MAIN (PE0630)	P810B	75007618	CONNECTOR, 2.0MM PITCH NYLON, B9B-PH-K
U03AS MAIN (PE0630)	P811B	75008267	CONNECTOR, W-B 2.0MM 14P VERTICAL, B14I
U03AS MAIN (PE0630)	P920A	75009892	CONNECTOR, 2MM PITCH W TO B, B7B-PH-K-
U03AS MAIN (PE0630)	PB03A	V28A000822A1	PC BOARD 32AV555D_MAIN_PE0630
U03AS MAIN (PE0630)	PJ700	75012538	SOCKET, PCMCIA, TV51EE20090
U03AS MAIN (PE0630)	PV201	75001989	CONNECTOR, MULTI 21P, CSS5021-9C01F
U03AS MAIN (PE0630)	PV202	75001989	CONNECTOR, MULTI 21P, CSS5021-9C01F
U03AS MAIN (PE0630)	PV240	75001872	PIN JACK, 10/10P ST
U03AS MAIN (PE0630)	PV320	75011085	CONNECTOR, CSS5019-4K31F

U03AS MAIN (PE0630)	PV321	75011085	CONNECTOR, CSS5019-4K31F
U03AS MAIN (PE0630)	Q1001	75009815	TRANSISTOR, 2SC4116-Y(TE85L, F)
U03AS MAIN (PE0630)	Q1002	75009897	TRANSISTOR, 2SA1586-Y(TE85L, F)
U03AS MAIN (PE0630)	Q1301	75001961	TRANSISTOR, FET, 2SK2035(TE85L, F)
U03AS MAIN (PE0630)	Q1302	75001961	TRANSISTOR, FET, 2SK2035(TE85L, F)
U03AS MAIN (PE0630)	Q1501	75009815	TRANSISTOR, 2SC4116-Y(TE85L, F)
U03AS MAIN (PE0630)	Q1502	75009815	TRANSISTOR, 2SC4116-Y(TE85L, F)
U03AS MAIN (PE0630)	Q1503	75009815	TRANSISTOR, 2SC4116-Y(TE85L, F)
U03AS MAIN (PE0630)	Q1701	75009815	TRANSISTOR, 2SC4116-Y(TE85L, F)
U03AS MAIN (PE0630)	Q1702	75009815	TRANSISTOR, 2SC4116-Y(TE85L, F)
U03AS MAIN (PE0630)	Q1703	75009815	TRANSISTOR, 2SC4116-Y(TE85L, F)
U03AS MAIN (PE0630)	Q1704	75009815	TRANSISTOR, 2SC4116-Y(TE85L, F)
U03AS MAIN (PE0630)	Q2105	75007621	TRANSISTOR, 2SC3326-B(TE85R, F)
U03AS MAIN (PE0630)	Q2106	75007621	TRANSISTOR, 2SC3326-B(TE85R, F)
U03AS MAIN (PE0630)	Q2107	75007621	TRANSISTOR, 2SC3326-B(TE85R, F)
U03AS MAIN (PE0630)	Q2108	75007621	TRANSISTOR, 2SC3326-B(TE85R, F)
U03AS MAIN (PE0630)	Q2109	75006019	TRANSISTOR, RN2404(TE85L, F)
U03AS MAIN (PE0630)	Q2201	75007621	TRANSISTOR, 2SC3326-B(TE85R, F)
U03AS MAIN (PE0630)	Q2202	75007621	TRANSISTOR, 2SC3326-B(TE85R, F)
U03AS MAIN (PE0630)	Q2203	75007621	TRANSISTOR, 2SC3326-B(TE85R, F)
U03AS MAIN (PE0630)	Q2204	75007621	TRANSISTOR, 2SC3326-B(TE85R, F)
U03AS MAIN (PE0630)	Q2205	75006019	TRANSISTOR, RN2404(TE85L, F)
U03AS MAIN (PE0630)	Q2206	75002029	TRANSISTOR, 2SC4081
U03AS MAIN (PE0630)	Q2701	75007619	TRANSISTOR, 2SA1162-Y(TE85R, F)
U03AS MAIN (PE0630)	Q2702	75009895	TRANSISTOR, RN1404(TE85L, F)
U03AS MAIN (PE0630)	Q2703	75009895	TRANSISTOR, RN1404(TE85L, F)
U03AS MAIN (PE0630)	Q2711	75007619	TRANSISTOR, 2SA1162-Y(TE85R, F)
U03AS MAIN (PE0630)	Q2712	75009895	TRANSISTOR, RN1404(TE85L, F)
U03AS MAIN (PE0630)	Q2713	75009895	TRANSISTOR, RN1404(TE85L, F)
U03AS MAIN (PE0630)	Q2803	75009897	TRANSISTOR, 2SA1586-Y(TE85L, F)
U03AS MAIN (PE0630)	Q2804	75009897	TRANSISTOR, 2SA1586-Y(TE85L, F)
U03AS MAIN (PE0630)	Q2805	75009815	TRANSISTOR, 2SC4116-Y(TE85L, F)
U03AS MAIN (PE0630)	Q2806	75009815	TRANSISTOR, 2SC4116-Y(TE85L, F)
U03AS MAIN (PE0630)	Q6000	75009815	TRANSISTOR, 2SC4116-Y(TE85L, F)
U03AS MAIN (PE0630)	Q6101	75009815	TRANSISTOR, 2SC4116-Y(TE85L, F)
U03AS MAIN (PE0630)	Q6301	75002029	TRANSISTOR, 2SC4081
U03AS MAIN (PE0630)	Q6302	75002029	TRANSISTOR, 2SC4081
U03AS MAIN (PE0630)	Q6303	75002029	TRANSISTOR, 2SC4081
U03AS MAIN (PE0630)	Q6304	75006019	TRANSISTOR, RN2404(TE85L, F)
U03AS MAIN (PE0630)	Q6305	75006019	TRANSISTOR, RN2404(TE85L, F)
U03AS MAIN (PE0630)	Q6306	75007619	TRANSISTOR, 2SA1162-Y(TE85R, F)
U03AS MAIN (PE0630)	Q6401	75009815	TRANSISTOR, 2SC4116-Y(TE85L, F)
U03AS MAIN (PE0630)	Q8501	75009815	TRANSISTOR, 2SC4116-Y(TE85L, F)
U03AS MAIN (PE0630)	Q8502	75009815	TRANSISTOR, 2SC4116-Y(TE85L, F)
U03AS MAIN (PE0630)	Q8503	75009815	TRANSISTOR, 2SC4116-Y(TE85L, F)
U03AS MAIN (PE0630)	Q9500	75009815	TRANSISTOR, 2SC4116-Y(TE85L, F)
U03AS MAIN (PE0630)	Q9501	75009946	TRANSISTOR, FET, FDC602P_NF40

U03AS MAIN (PE0630)	Q9601	75001962	TRANSISTOR, DTC144EUAT106
U03AS MAIN (PE0630)	Q9602	75002029	TRANSISTOR, 2SC4081
U03AS MAIN (PE0630)	Q9621	75010885	TRANSISTOR, RN2403(TE85L, F)
U03AS MAIN (PE0630)	Q9622	75009895	TRANSISTOR, RN1404(TE85L, F)
U03AS MAIN (PE0630)	Q9623	75009815	TRANSISTOR, 2SC4116-Y(TE85L, F)
U03AS MAIN (PE0630)	Q9624	23205583	TRANSISTOR, FET, RSQ035P03TR
U03AS MAIN (PE0630)	R1001	75009835	RESISTOR, CHIP (1005), CR1/16S 560JV PB(F)
U03AS MAIN (PE0630)	R1002	75009835	RESISTOR, CHIP (1005), CR1/16S 560JV PB(F)
U03AS MAIN (PE0630)	R1003	75009835	RESISTOR, CHIP (1005), CR1/16S 560JV PB(F)
U03AS MAIN (PE0630)	R1004	75009835	RESISTOR, CHIP (1005), CR1/16S 560JV PB(F)
U03AS MAIN (PE0630)	R1005	75009850	RESISTOR, CHIP (1005), CR1/16S 103JV PB(F)
U03AS MAIN (PE0630)	R1006	75009845	RESISTOR, CHIP (1005), CR1/16S 471JV PB(F)
U03AS MAIN (PE0630)	R1007	75009835	RESISTOR, CHIP (1005), CR1/16S 560JV PB(F)
U03AS MAIN (PE0630)	R1008	75009835	RESISTOR, CHIP (1005), CR1/16S 560JV PB(F)
U03AS MAIN (PE0630)	R1009	75009835	RESISTOR, CHIP (1005), CR1/16S 560JV PB(F)
U03AS MAIN (PE0630)	R1010	75009845	RESISTOR, CHIP (1005), CR1/16S 471JV PB(F)
U03AS MAIN (PE0630)	R1012	75012543	RESISTOR, CHIP(2012), CR1/10 272JV PB(F)
U03AS MAIN (PE0630)	R1013	75012548	RESISTOR, CHIP(1005), CR1/16S 391FV PB(F)
U03AS MAIN (PE0630)	R1014	75009835	RESISTOR, CHIP (1005), CR1/16S 560JV PB(F)
U03AS MAIN (PE0630)	R1015	75009835	RESISTOR, CHIP (1005), CR1/16S 560JV PB(F)
U03AS MAIN (PE0630)	R1016	75009835	RESISTOR, CHIP (1005), CR1/16S 560JV PB(F)
U03AS MAIN (PE0630)	R1017	75009835	RESISTOR, CHIP (1005), CR1/16S 560JV PB(F)
U03AS MAIN (PE0630)	R1018	75009835	RESISTOR, CHIP (1005), CR1/16S 560JV PB(F)
U03AS MAIN (PE0630)	R1019	75009835	RESISTOR, CHIP (1005), CR1/16S 560JV PB(F)
U03AS MAIN (PE0630)	R1020	75009835	RESISTOR, CHIP (1005), CR1/16S 560JV PB(F)
U03AS MAIN (PE0630)	R1021	75009843	RESISTOR, CHIP (1005), CR1/16S 470JV PB(F)
U03AS MAIN (PE0630)	R1022	75009843	RESISTOR, CHIP (1005), CR1/16S 470JV PB(F)
U03AS MAIN (PE0630)	R1023	75009845	RESISTOR, CHIP (1005), CR1/16S 471JV PB(F)
U03AS MAIN (PE0630)	R1026	75012549	RESISTOR, CHIP(1005), CR1/16S 201DV PB(F)
U03AS MAIN (PE0630)	R1027	75011425	RESISTOR, CHIP (1005), CR1/16S 181DV PB(F)
U03AS MAIN (PE0630)	R1028	75007593	RESISTOR, CHIP(1005), ERJ2RKF33R0X
U03AS MAIN (PE0630)	R1100	75009834	RESISTOR, CHIP (1005), CR1/16S 103JV PB(F)
U03AS MAIN (PE0630)	R1101	75009834	RESISTOR, CHIP (1005), CR1/16S 103JV PB(F)
U03AS MAIN (PE0630)	R1102	75009834	RESISTOR, CHIP (1005), CR1/16S 103JV PB(F)
U03AS MAIN (PE0630)	R1103	75005803	RESISTOR, CHIP, 1005 CR1/16S 123JV PB(F)
U03AS MAIN (PE0630)	R1104	75009834	RESISTOR, CHIP (1005), CR1/16S 103JV PB(F)
U03AS MAIN (PE0630)	R1105	75005803	RESISTOR, CHIP, 1005 CR1/16S 123JV PB(F)
U03AS MAIN (PE0630)	R1106	75005803	RESISTOR, CHIP, 1005 CR1/16S 123JV PB(F)
U03AS MAIN (PE0630)	R1107	75009834	RESISTOR, CHIP (1005), CR1/16S 103JV PB(F)
U03AS MAIN (PE0630)	R1108	75009834	RESISTOR, CHIP (1005), CR1/16S 103JV PB(F)
U03AS MAIN (PE0630)	R1109	75009834	RESISTOR, CHIP (1005), CR1/16S 103JV PB(F)
U03AS MAIN (PE0630)	R1110	75005803	RESISTOR, CHIP, 1005 CR1/16S 123JV PB(F)
U03AS MAIN (PE0630)	R1111	75009834	RESISTOR, CHIP (1005), CR1/16S 103JV PB(F)
U03AS MAIN (PE0630)	R1112	75005803	RESISTOR, CHIP, 1005 CR1/16S 123JV PB(F)
U03AS MAIN (PE0630)	R1113	75005803	RESISTOR, CHIP, 1005 CR1/16S 123JV PB(F)
U03AS MAIN (PE0630)	R1114	75005803	RESISTOR, CHIP, 1005 CR1/16S 123JV PB(F)
U03AS MAIN (PE0630)	R1115	75005803	RESISTOR, CHIP, 1005 CR1/16S 123JV PB(F)



U03AS MAIN (PE0630)	R1290	75007596	RESISTOR, CHIP(1005), CR1/16S 100JV PB(F)
U03AS MAIN (PE0630)	R1291	75007596	RESISTOR, CHIP(1005), CR1/16S 100JV PB(F)
U03AS MAIN (PE0630)	R1292	75007596	RESISTOR, CHIP(1005), CR1/16S 100JV PB(F)
U03AS MAIN (PE0630)	R1293	75007596	RESISTOR, CHIP(1005), CR1/16S 100JV PB(F)
U03AS MAIN (PE0630)	R1294	75007596	RESISTOR, CHIP(1005), CR1/16S 100JV PB(F)
U03AS MAIN (PE0630)	R1295	75007596	RESISTOR, CHIP(1005), CR1/16S 100JV PB(F)
U03AS MAIN (PE0630)	R1296	75007596	RESISTOR, CHIP(1005), CR1/16S 100JV PB(F)
U03AS MAIN (PE0630)	R1297	75007596	RESISTOR, CHIP(1005), CR1/16S 100JV PB(F)
U03AS MAIN (PE0630)	R1298	75007596	RESISTOR, CHIP(1005), CR1/16S 100JV PB(F)
U03AS MAIN (PE0630)	R1299	75007596	RESISTOR, CHIP(1005), CR1/16S 100JV PB(F)
U03AS MAIN (PE0630)	R1301	75009851	JUMPER, CHIP 1005TYPE, CR1/16S 000V PB(F)
U03AS MAIN (PE0630)	R1302	75009844	RESISTOR, CHIP (1005), CR1/16S 101JV PB(F)
U03AS MAIN (PE0630)	R1303	75009844	RESISTOR, CHIP (1005), CR1/16S 101JV PB(F)
U03AS MAIN (PE0630)	R1304	75009847	RESISTOR, CHIP (1005), CR1/16S 472JV PB(F)
U03AS MAIN (PE0630)	R1305	75009850	RESISTOR, CHIP (1005), CR1/16S 103JV PB(F)
U03AS MAIN (PE0630)	R1306	75009847	RESISTOR, CHIP (1005), CR1/16S 472JV PB(F)
U03AS MAIN (PE0630)	R1307	75009850	RESISTOR, CHIP (1005), CR1/16S 103JV PB(F)
U03AS MAIN (PE0630)	R1308	75010143	CHIP JUMPER, 1608TYPE, CR1/16 000V PB(F)
U03AS MAIN (PE0630)	R1310	75009834	RESISTOR, CHIP (1005), CR1/16S 103JV PB(F)
U03AS MAIN (PE0630)	R1311	75009847	RESISTOR, CHIP (1005), CR1/16S 472JV PB(F)
U03AS MAIN (PE0630)	R1312	75009847	RESISTOR, CHIP (1005), CR1/16S 472JV PB(F)
U03AS MAIN (PE0630)	R1313	75009844	RESISTOR, CHIP (1005), CR1/16S 101JV PB(F)
U03AS MAIN (PE0630)	R1314	75009844	RESISTOR, CHIP (1005), CR1/16S 101JV PB(F)
U03AS MAIN (PE0630)	R1315	75009844	RESISTOR, CHIP (1005), CR1/16S 101JV PB(F)
U03AS MAIN (PE0630)	R1316	75009844	RESISTOR, CHIP (1005), CR1/16S 101JV PB(F)
U03AS MAIN (PE0630)	R1317	75007596	RESISTOR, CHIP(1005), CR1/16S 100JV PB(F)
U03AS MAIN (PE0630)	R1318	75007596	RESISTOR, CHIP(1005), CR1/16S 100JV PB(F)
U03AS MAIN (PE0630)	R1319	75009844	RESISTOR, CHIP (1005), CR1/16S 101JV PB(F)
U03AS MAIN (PE0630)	R1320	75009840	RESISTOR, CHIP (1005), CR1/16S 102JV PB(F)
U03AS MAIN (PE0630)	R1321	75007984	RESISTOR, CHIP(1005), CR1/16S 105JV PB(F)
U03AS MAIN (PE0630)	R1322	75009842	RESISTOR, CHIP (1005), CR1/16S 330JV PB(F)
U03AS MAIN (PE0630)	R1323	75012553	RESISTOR, CHIP(1005), RK73H1ETTP9100F
U03AS MAIN (PE0630)	R1421	75009847	RESISTOR, CHIP (1005), CR1/16S 472JV PB(F)
U03AS MAIN (PE0630)	R1422	75009847	RESISTOR, CHIP (1005), CR1/16S 472JV PB(F)
U03AS MAIN (PE0630)	R1502	75009834	RESISTOR, CHIP (1005), CR1/16S 103JV PB(F)
U03AS MAIN (PE0630)	R1503	75009834	RESISTOR, CHIP (1005), CR1/16S 103JV PB(F)
U03AS MAIN (PE0630)	R1505	75009834	RESISTOR, CHIP (1005), CR1/16S 103JV PB(F)
U03AS MAIN (PE0630)	R1506	75008336	RESISTOR, CHIP(1005), CR1/16S 102JV PB(F)
U03AS MAIN (PE0630)	R1508	75008336	RESISTOR, CHIP(1005), CR1/16S 102JV PB(F)
U03AS MAIN (PE0630)	R1509	75009847	RESISTOR, CHIP (1005), CR1/16S 472JV PB(F)
U03AS MAIN (PE0630)	R1510	75009847	RESISTOR, CHIP (1005), CR1/16S 472JV PB(F)
U03AS MAIN (PE0630)	R1511	75005998	RESISTOR, CHIP (1005), CR1/16S 333JV PB(F)
U03AS MAIN (PE0630)	R1512	75009847	RESISTOR, CHIP (1005), CR1/16S 472JV PB(F)
U03AS MAIN (PE0630)	R1513	75008532	RESISTOR, CHIP(1005), CR1/16S 182JV PB(F)
U03AS MAIN (PE0630)	R1514	75005998	RESISTOR, CHIP (1005), CR1/16S 333JV PB(F)
U03AS MAIN (PE0630)	R1515	75005985	RESISTOR, CHIP (1005), CR1/16S 332JV PB(F)
U03AS MAIN (PE0630)	R1516	75007596	RESISTOR, CHIP(1005), CR1/16S 100JV PB(F)



U03AS MAIN (PE0630)	R1737	75009850	RESISTOR, CHIP (1005), CR1/16S 103JV PB(F)
U03AS MAIN (PE0630)	R1738	75009850	RESISTOR, CHIP (1005), CR1/16S 103JV PB(F)
U03AS MAIN (PE0630)	R1739	75009850	RESISTOR, CHIP (1005), CR1/16S 103JV PB(F)
U03AS MAIN (PE0630)	R1741	75009850	RESISTOR, CHIP (1005), CR1/16S 103JV PB(F)
U03AS MAIN (PE0630)	R1742	75009850	RESISTOR, CHIP (1005), CR1/16S 103JV PB(F)
U03AS MAIN (PE0630)	R1743	75009850	RESISTOR, CHIP (1005), CR1/16S 103JV PB(F)
U03AS MAIN (PE0630)	R1744	75009850	RESISTOR, CHIP (1005), CR1/16S 103JV PB(F)
U03AS MAIN (PE0630)	R1747	75009850	RESISTOR, CHIP (1005), CR1/16S 103JV PB(F)
U03AS MAIN (PE0630)	R1748	75009850	RESISTOR, CHIP (1005), CR1/16S 103JV PB(F)
U03AS MAIN (PE0630)	R1751	75007601	RESISTOR, CHIP(1005), CR1/16S 473JV PB(F)
U03AS MAIN (PE0630)	R2100	75007588	RESISTOR, CHIP(2012), CR1/10 750JV PB(F)
U03AS MAIN (PE0630)	R2101	75007588	RESISTOR, CHIP(2012), CR1/10 750JV PB(F)
U03AS MAIN (PE0630)	R2102	75007588	RESISTOR, CHIP(2012), CR1/10 750JV PB(F)
U03AS MAIN (PE0630)	R2103	75007588	RESISTOR, CHIP(2012), CR1/10 750JV PB(F)
U03AS MAIN (PE0630)	R2105	75007587	RESISTOR, CHIP(2012), CR1/10 151JV PB(F)
U03AS MAIN (PE0630)	R2106	75007587	RESISTOR, CHIP(2012), CR1/10 151JV PB(F)
U03AS MAIN (PE0630)	R2107	75009836	JUMPER, CHIP 1005TYPE, CR1/16S 000V PB(F)
U03AS MAIN (PE0630)	R2109	75007601	RESISTOR, CHIP(1005), CR1/16S 473JV PB(F)
U03AS MAIN (PE0630)	R2136	75009848	RESISTOR, CHIP (1005), CR1/16S 104JV PB(F)
U03AS MAIN (PE0630)	R2137	75009848	RESISTOR, CHIP (1005), CR1/16S 104JV PB(F)
U03AS MAIN (PE0630)	R2139	75007601	RESISTOR, CHIP(1005), CR1/16S 473JV PB(F)
U03AS MAIN (PE0630)	R2140	75007601	RESISTOR, CHIP(1005), CR1/16S 473JV PB(F)
U03AS MAIN (PE0630)	R2141	75007598	RESISTOR, CHIP(1005), CR1/16S 681JV PB(F)
U03AS MAIN (PE0630)	R2142	75007598	RESISTOR, CHIP(1005), CR1/16S 681JV PB(F)
U03AS MAIN (PE0630)	R2143	75007601	RESISTOR, CHIP(1005), CR1/16S 473JV PB(F)
U03AS MAIN (PE0630)	R2144	75007601	RESISTOR, CHIP(1005), CR1/16S 473JV PB(F)
U03AS MAIN (PE0630)	R2145	75007598	RESISTOR, CHIP(1005), CR1/16S 681JV PB(F)
U03AS MAIN (PE0630)	R2146	75007598	RESISTOR, CHIP(1005), CR1/16S 681JV PB(F)
U03AS MAIN (PE0630)	R2148	75009847	RESISTOR, CHIP (1005), CR1/16S 472JV PB(F)
U03AS MAIN (PE0630)	R2200	75007588	RESISTOR, CHIP(2012), CR1/10 750JV PB(F)
U03AS MAIN (PE0630)	R2201	75007588	RESISTOR, CHIP(2012), CR1/10 750JV PB(F)
U03AS MAIN (PE0630)	R2214	75009848	RESISTOR, CHIP (1005), CR1/16S 104JV PB(F)
U03AS MAIN (PE0630)	R2215	75009848	RESISTOR, CHIP (1005), CR1/16S 104JV PB(F)
U03AS MAIN (PE0630)	R2216	75007601	RESISTOR, CHIP(1005), CR1/16S 473JV PB(F)
U03AS MAIN (PE0630)	R2217	75007601	RESISTOR, CHIP(1005), CR1/16S 473JV PB(F)
U03AS MAIN (PE0630)	R2218	75007598	RESISTOR, CHIP(1005), CR1/16S 681JV PB(F)
U03AS MAIN (PE0630)	R2219	75007598	RESISTOR, CHIP(1005), CR1/16S 681JV PB(F)
U03AS MAIN (PE0630)	R2220	75007601	RESISTOR, CHIP(1005), CR1/16S 473JV PB(F)
U03AS MAIN (PE0630)	R2222	75007598	RESISTOR, CHIP(1005), CR1/16S 681JV PB(F)
U03AS MAIN (PE0630)	R2223	75007598	RESISTOR, CHIP(1005), CR1/16S 681JV PB(F)
U03AS MAIN (PE0630)	R2225	75009850	RESISTOR, CHIP (1005), CR1/16S 103JV PB(F)
U03AS MAIN (PE0630)	R2226	75009850	RESISTOR, CHIP (1005), CR1/16S 103JV PB(F)
U03AS MAIN (PE0630)	R2401	75007588	RESISTOR, CHIP(2012), CR1/10 750JV PB(F)
U03AS MAIN (PE0630)	R2402	75007588	RESISTOR, CHIP(2012), CR1/10 750JV PB(F)
U03AS MAIN (PE0630)	R2403	75007588	RESISTOR, CHIP(2012), CR1/10 750JV PB(F)
U03AS MAIN (PE0630)	R2404	75007588	RESISTOR, CHIP(2012), CR1/10 750JV PB(F)
U03AS MAIN (PE0630)	R2411	75008336	RESISTOR, CHIP(1005), CR1/16S 102JV PB(F)



U03AS MAIN (PE0630)	R2412	75008336	RESISTOR, CHIP(1005), CR1/16S 102JV PB(F)
U03AS MAIN (PE0630)	R2413	75008336	RESISTOR, CHIP(1005), CR1/16S 102JV PB(F)
U03AS MAIN (PE0630)	R2414	75008336	RESISTOR, CHIP(1005), CR1/16S 102JV PB(F)
U03AS MAIN (PE0630)	R2415	75008336	RESISTOR, CHIP(1005), CR1/16S 102JV PB(F)
U03AS MAIN (PE0630)	R2416	75008336	RESISTOR, CHIP(1005), CR1/16S 102JV PB(F)
U03AS MAIN (PE0630)	R2707	75009830	RESISTOR, CHIP (1005), CR1/16S 750JV PB(F)
U03AS MAIN (PE0630)	R2710	75009847	RESISTOR, CHIP (1005), CR1/16S 472JV PB(F)
U03AS MAIN (PE0630)	R2711	75009844	RESISTOR, CHIP (1005), CR1/16S 101JV PB(F)
U03AS MAIN (PE0630)	R2713	75009851	JUMPER, CHIP 1005TYPE, CR1/16S 000V PB(F)
U03AS MAIN (PE0630)	R2715	75009834	RESISTOR, CHIP (1005), CR1/16S 103JV PB(F)
U03AS MAIN (PE0630)	R2716	75009830	RESISTOR, CHIP (1005), CR1/16S 750JV PB(F)
U03AS MAIN (PE0630)	R2741	75009844	RESISTOR, CHIP (1005), CR1/16S 101JV PB(F)
U03AS MAIN (PE0630)	R2742	75009847	RESISTOR, CHIP (1005), CR1/16S 472JV PB(F)
U03AS MAIN (PE0630)	R2743	75009851	JUMPER, CHIP 1005TYPE, CR1/16S 000V PB(F)
U03AS MAIN (PE0630)	R2745	75009834	RESISTOR, CHIP (1005), CR1/16S 103JV PB(F)
U03AS MAIN (PE0630)	R2808	75009844	RESISTOR, CHIP (1005), CR1/16S 101JV PB(F)
U03AS MAIN (PE0630)	R2809	75007599	RESISTOR, CHIP(1005), CR1/16S 222JV PB(F)
U03AS MAIN (PE0630)	R2811	75007597	RESISTOR, CHIP(1005), CR1/16S 474JV PB(F)
U03AS MAIN (PE0630)	R2812	75009834	RESISTOR, CHIP (1005), CR1/16S 103JV PB(F)
U03AS MAIN (PE0630)	R2843	75009847	RESISTOR, CHIP (1005), CR1/16S 472JV PB(F)
U03AS MAIN (PE0630)	R2844	75009834	RESISTOR, CHIP (1005), CR1/16S 103JV PB(F)
U03AS MAIN (PE0630)	R2845	75005998	RESISTOR, CHIP (1005), CR1/16S 333JV PB(F)
U03AS MAIN (PE0630)	R2846	75007600	RESISTOR, CHIP(1005), CR1/16S 223JV PB(F)
U03AS MAIN (PE0630)	R2847	75007601	RESISTOR, CHIP(1005), CR1/16S 473JV PB(F)
U03AS MAIN (PE0630)	R2848	75007601	RESISTOR, CHIP(1005), CR1/16S 473JV PB(F)
U03AS MAIN (PE0630)	R2849	75007601	RESISTOR, CHIP(1005), CR1/16S 473JV PB(F)
U03AS MAIN (PE0630)	R2850	75009830	RESISTOR, CHIP (1005), CR1/16S 750JV PB(F)
U03AS MAIN (PE0630)	R2900	75009834	RESISTOR, CHIP (1005), CR1/16S 103JV PB(F)
U03AS MAIN (PE0630)	R2901	75005986	RESISTOR, CHIP (1005), CR1/16S 183JV PB(F)
U03AS MAIN (PE0630)	R2902	75009834	RESISTOR, CHIP (1005), CR1/16S 103JV PB(F)
U03AS MAIN (PE0630)	R2903	75005986	RESISTOR, CHIP (1005), CR1/16S 183JV PB(F)
U03AS MAIN (PE0630)	R2904	75009834	RESISTOR, CHIP (1005), CR1/16S 103JV PB(F)
U03AS MAIN (PE0630)	R2905	75005986	RESISTOR, CHIP (1005), CR1/16S 183JV PB(F)
U03AS MAIN (PE0630)	R2906	75005986	RESISTOR, CHIP (1005), CR1/16S 183JV PB(F)
U03AS MAIN (PE0630)	R2907	75009834	RESISTOR, CHIP (1005), CR1/16S 103JV PB(F)
U03AS MAIN (PE0630)	R3000	75010138	RESISTOR, CHIP (1608), CR1/16 472JV PB(F)
U03AS MAIN (PE0630)	R3002	75010138	RESISTOR, CHIP (1608), CR1/16 472JV PB(F)
U03AS MAIN (PE0630)	R3006	75008336	RESISTOR, CHIP(1005), CR1/16S 102JV PB(F)
U03AS MAIN (PE0630)	R3008	75008330	RESISTOR, CHIP(1005), CR1/16S 472FV PB(F)
U03AS MAIN (PE0630)	R3009	75008336	RESISTOR, CHIP(1005), CR1/16S 102JV PB(F)
U03AS MAIN (PE0630)	R3010	75010142	RESISTOR, CHIP (1608), CR1/16 472JV PB(F)
U03AS MAIN (PE0630)	R3011	75007601	RESISTOR, CHIP(1005), CR1/16S 473JV PB(F)
U03AS MAIN (PE0630)	R3013	75010142	RESISTOR, CHIP (1608), CR1/16 472JV PB(F)
U03AS MAIN (PE0630)	R3014	75007601	RESISTOR, CHIP(1005), CR1/16S 473JV PB(F)
U03AS MAIN (PE0630)	R3015	75008336	RESISTOR, CHIP(1005), CR1/16S 102JV PB(F)
U03AS MAIN (PE0630)	R3017	75008336	RESISTOR, CHIP(1005), CR1/16S 102JV PB(F)
U03AS MAIN (PE0630)	R3019	75008336	RESISTOR, CHIP(1005), CR1/16S 102JV PB(F)









U03AS MAIN (PE0630)	R3022	75007601	RESISTOR, CHIP(1005), CR1/16S 473JV PB(F)
U03AS MAIN (PE0630)	R3028	75007601	RESISTOR, CHIP(1005), CR1/16S 473JV PB(F)
U03AS MAIN (PE0630)	R3500	75008336	RESISTOR, CHIP(1005), CR1/16S 102JV PB(F)
U03AS MAIN (PE0630)	R3501	75009847	RESISTOR, CHIP (1005), CR1/16S 472JV PB(F)
U03AS MAIN (PE0630)	R3502	75009850	RESISTOR, CHIP (1005), CR1/16S 103JV PB(F)
U03AS MAIN (PE0630)	R3504	75008336	RESISTOR, CHIP(1005), CR1/16S 102JV PB(F)
U03AS MAIN (PE0630)	R3505	75009847	RESISTOR, CHIP (1005), CR1/16S 472JV PB(F)
U03AS MAIN (PE0630)	R3506	75009850	RESISTOR, CHIP (1005), CR1/16S 103JV PB(F)
U03AS MAIN (PE0630)	R3511	75007601	RESISTOR, CHIP(1005), CR1/16S 473JV PB(F)
U03AS MAIN (PE0630)	R3512	75005805	RESISTOR, CHIP, 1005 CR1/16S 224JV PB(F)
U03AS MAIN (PE0630)	R6000	75005804	RESISTOR, CHIP, 1005 CR1/16S 153JV PB(F)
U03AS MAIN (PE0630)	R6001	75005804	RESISTOR, CHIP, 1005 CR1/16S 153JV PB(F)
U03AS MAIN (PE0630)	R6002	75005985	RESISTOR, CHIP (1005), CR1/16S 332JV PB(F)
U03AS MAIN (PE0630)	R6003	75007600	RESISTOR, CHIP(1005), CR1/16S 223JV PB(F)
U03AS MAIN (PE0630)	R6004	75007600	RESISTOR, CHIP(1005), CR1/16S 223JV PB(F)
U03AS MAIN (PE0630)	R6005	75007601	RESISTOR, CHIP(1005), CR1/16S 473JV PB(F)
U03AS MAIN (PE0630)	R6006	75007601	RESISTOR, CHIP(1005), CR1/16S 473JV PB(F)
U03AS MAIN (PE0630)	R6028	75009844	RESISTOR, CHIP (1005), CR1/16S 101JV PB(F)
U03AS MAIN (PE0630)	R6029	75009844	RESISTOR, CHIP (1005), CR1/16S 101JV PB(F)
U03AS MAIN (PE0630)	R6030	75007601	RESISTOR, CHIP(1005), CR1/16S 473JV PB(F)
U03AS MAIN (PE0630)	R6031	75007601	RESISTOR, CHIP(1005), CR1/16S 473JV PB(F)
U03AS MAIN (PE0630)	R6032	75007601	RESISTOR, CHIP(1005), CR1/16S 473JV PB(F)
U03AS MAIN (PE0630)	R6033	75007600	RESISTOR, CHIP(1005), CR1/16S 223JV PB(F)
U03AS MAIN (PE0630)	R6060	75005985	RESISTOR, CHIP (1005), CR1/16S 332JV PB(F)
U03AS MAIN (PE0630)	R6062	75005804	RESISTOR, CHIP, 1005 CR1/16S 153JV PB(F)
U03AS MAIN (PE0630)	R6063	75005804	RESISTOR, CHIP, 1005 CR1/16S 153JV PB(F)
U03AS MAIN (PE0630)	R6065	75007601	RESISTOR, CHIP(1005), CR1/16S 473JV PB(F)
U03AS MAIN (PE0630)	R6067	75007601	RESISTOR, CHIP(1005), CR1/16S 473JV PB(F)
U03AS MAIN (PE0630)	R6078	75007600	RESISTOR, CHIP(1005), CR1/16S 223JV PB(F)
U03AS MAIN (PE0630)	R6079	75007600	RESISTOR, CHIP(1005), CR1/16S 223JV PB(F)
U03AS MAIN (PE0630)	R6101	75012544	RESISTOR, CHIP(3216), CR1/8 221FV PB(F)
U03AS MAIN (PE0630)	R6102	75009448	RESISTOR, CHIP (3216), CR1/8 6R8FV PB(F)
U03AS MAIN (PE0630)	R6103	75009448	RESISTOR, CHIP (3216), CR1/8 6R8FV PB(F)
U03AS MAIN (PE0630)	R6104	75012544	RESISTOR, CHIP(3216), CR1/8 221FV PB(F)
U03AS MAIN (PE0630)	R6105	75009448	RESISTOR, CHIP (3216), CR1/8 6R8FV PB(F)
U03AS MAIN (PE0630)	R6106	75009448	RESISTOR, CHIP (3216), CR1/8 6R8FV PB(F)
U03AS MAIN (PE0630)	R6107	75007600	RESISTOR, CHIP(1005), CR1/16S 223JV PB(F)
U03AS MAIN (PE0630)	R6108	75007599	RESISTOR, CHIP(1005), CR1/16S 222JV PB(F)
U03AS MAIN (PE0630)	R6109	75009844	RESISTOR, CHIP (1005), CR1/16S 101JV PB(F)
U03AS MAIN (PE0630)	R6110	75009844	RESISTOR, CHIP (1005), CR1/16S 101JV PB(F)
U03AS MAIN (PE0630)	R6111	75007600	RESISTOR, CHIP(1005), CR1/16S 223JV PB(F)
U03AS MAIN (PE0630)	R6112	75009834	RESISTOR, CHIP (1005), CR1/16S 103JV PB(F)
U03AS MAIN (PE0630)	R6113	75009844	RESISTOR, CHIP (1005), CR1/16S 101JV PB(F)
U03AS MAIN (PE0630)	R6114	75009844	RESISTOR, CHIP (1005), CR1/16S 101JV PB(F)
U03AS MAIN (PE0630)	R6115	75009844	RESISTOR, CHIP (1005), CR1/16S 101JV PB(F)
U03AS MAIN (PE0630)	R6116	75009844	RESISTOR, CHIP (1005), CR1/16S 101JV PB(F)
U03AS MAIN (PE0630)	R6117	75010703	RESISTOR, CHIP (1005), CR1/16S 622FV PB(F)

U03AS MAIN (PE0630)	R6118	75009851	JUMPER, CHIP 1005TYPE, CR1/16S 000V PB(F
U03AS MAIN (PE0630)	R6119	75009851	JUMPER, CHIP 1005TYPE, CR1/16S 000V PB(F
U03AS MAIN (PE0630)	R6151	75010698	RESISTOR, CHIP (3216), ERJ8ENF75R0V
U03AS MAIN (PE0630)	R6152	75010698	RESISTOR, CHIP (3216), ERJ8ENF75R0V
U03AS MAIN (PE0630)	R6154	75010698	RESISTOR, CHIP (3216), ERJ8ENF75R0V
U03AS MAIN (PE0630)	R6155	75010698	RESISTOR, CHIP (3216), ERJ8ENF75R0V
U03AS MAIN (PE0630)	R6301	75009836	JUMPER, CHIP 1005TYPE, CR1/16S 000V PB(F
U03AS MAIN (PE0630)	R6302	75007599	RESISTOR, CHIP(1005), CR1/16S 222JV PB(F)
U03AS MAIN (PE0630)	R6304	75007600	RESISTOR, CHIP(1005), CR1/16S 223JV PB(F)
U03AS MAIN (PE0630)	R6305	75009840	RESISTOR, CHIP (1005), CR1/16S 102JV PB(F)
U03AS MAIN (PE0630)	R6306	75009848	RESISTOR, CHIP (1005), CR1/16S 104JV PB(F)
U03AS MAIN (PE0630)	R6307	75009848	RESISTOR, CHIP (1005), CR1/16S 104JV PB(F)
U03AS MAIN (PE0630)	R6308	75007600	RESISTOR, CHIP(1005), CR1/16S 223JV PB(F)
U03AS MAIN (PE0630)	R6309	75009834	RESISTOR, CHIP (1005), CR1/16S 103JV PB(F)
U03AS MAIN (PE0630)	R6310	75007601	RESISTOR, CHIP(1005), CR1/16S 473JV PB(F)
U03AS MAIN (PE0630)	R6311	75009834	RESISTOR, CHIP (1005), CR1/16S 103JV PB(F)
U03AS MAIN (PE0630)	R6312	75007600	RESISTOR, CHIP(1005), CR1/16S 223JV PB(F)
U03AS MAIN (PE0630)	R6313	75009848	RESISTOR, CHIP (1005), CR1/16S 104JV PB(F)
U03AS MAIN (PE0630)	R6314	75009840	RESISTOR, CHIP (1005), CR1/16S 102JV PB(F)
U03AS MAIN (PE0630)	R6315	75009834	RESISTOR, CHIP (1005), CR1/16S 103JV PB(F)
U03AS MAIN (PE0630)	R6316	75009840	RESISTOR, CHIP (1005), CR1/16S 102JV PB(F)
U03AS MAIN (PE0630)	R6317	75009834	RESISTOR, CHIP (1005), CR1/16S 103JV PB(F)
U03AS MAIN (PE0630)	R6401	75009847	RESISTOR, CHIP (1005), CR1/16S 472JV PB(F)
U03AS MAIN (PE0630)	R6402	75009847	RESISTOR, CHIP (1005), CR1/16S 472JV PB(F)
U03AS MAIN (PE0630)	R6403	75006537	RESISTOR, CHIP (1005), CR1/16S 203JV PB(F)
U03AS MAIN (PE0630)	R6404	75006537	RESISTOR, CHIP (1005), CR1/16S 203JV PB(F)
U03AS MAIN (PE0630)	R6405	75009834	RESISTOR, CHIP (1005), CR1/16S 103JV PB(F)
U03AS MAIN (PE0630)	R6406	75009834	RESISTOR, CHIP (1005), CR1/16S 103JV PB(F)
U03AS MAIN (PE0630)	R6407	75009834	RESISTOR, CHIP (1005), CR1/16S 103JV PB(F)
U03AS MAIN (PE0630)	R6408	75007601	RESISTOR, CHIP(1005), CR1/16S 473JV PB(F)
U03AS MAIN (PE0630)	R6409	75009848	RESISTOR, CHIP (1005), CR1/16S 104JV PB(F)
U03AS MAIN (PE0630)	R7001	75009849	RESISTOR, CHIP (1005), CR1/16S 101JV PB(F)
U03AS MAIN (PE0630)	R7002	75009849	RESISTOR, CHIP (1005), CR1/16S 101JV PB(F)
U03AS MAIN (PE0630)	R7003	75009848	RESISTOR, CHIP (1005), CR1/16S 104JV PB(F)
U03AS MAIN (PE0630)	R7004	75009848	RESISTOR, CHIP (1005), CR1/16S 104JV PB(F)
U03AS MAIN (PE0630)	R7006	75009848	RESISTOR, CHIP (1005), CR1/16S 104JV PB(F)
U03AS MAIN (PE0630)	R7007	75009850	RESISTOR, CHIP (1005), CR1/16S 103JV PB(F)
U03AS MAIN (PE0630)	R7008	75009850	RESISTOR, CHIP (1005), CR1/16S 103JV PB(F)
U03AS MAIN (PE0630)	R7011	75008670	RESISTOR, CHIP (1005), CR1/16S 163FV PB(F)
U03AS MAIN (PE0630)	R7012	75005987	RESISTOR, CHIP (1005), CR1/16S 201JV PB(F)
U03AS MAIN (PE0630)	R7013	75009842	RESISTOR, CHIP (1005), CR1/16S 330JV PB(F)
U03AS MAIN (PE0630)	R7014	75009842	RESISTOR, CHIP (1005), CR1/16S 330JV PB(F)
U03AS MAIN (PE0630)	R7015	75009842	RESISTOR, CHIP (1005), CR1/16S 330JV PB(F)
U03AS MAIN (PE0630)	R7016	75009842	RESISTOR, CHIP (1005), CR1/16S 330JV PB(F)
U03AS MAIN (PE0630)	R7017	75009842	RESISTOR, CHIP (1005), CR1/16S 330JV PB(F)
U03AS MAIN (PE0630)	R8000	75009851	JUMPER, CHIP 1005TYPE, CR1/16S 000V PB(F
U03AS MAIN (PE0630)	R8001	75009851	JUMPER, CHIP 1005TYPE, CR1/16S 000V PB(F

U03AS MAIN (PE0630)	R8002	75009851	JUMPER, CHIP 1005TYPE, CR1/16S 000V PB(F
U03AS MAIN (PE0630)	R8003	75009851	JUMPER, CHIP 1005TYPE, CR1/16S 000V PB(F
U03AS MAIN (PE0630)	R8004	75009916	RESISTOR, CHIP (1005), CR1/16S 183DV PB(F
U03AS MAIN (PE0630)	R8005	75008335	RESISTOR, CHIP(1005), CR1/16S 103DV PB(F)
U03AS MAIN (PE0630)	R8006	75009847	RESISTOR, CHIP (1005), CR1/16S 472JV PB(F)
U03AS MAIN (PE0630)	R8007	75009847	RESISTOR, CHIP (1005), CR1/16S 472JV PB(F)
U03AS MAIN (PE0630)	R8009	75010143	CHIP JUMPER, 1608TYPE, CR1/16 000V PB(F)
U03AS MAIN (PE0630)	R8010	75007986	RESISTOR, CHIP(1005), CR1/16S 681DV PB(F)
U03AS MAIN (PE0630)	R8011	75010143	CHIP JUMPER, 1608TYPE, CR1/16 000V PB(F)
U03AS MAIN (PE0630)	R8013	75010143	CHIP JUMPER, 1608TYPE, CR1/16 000V PB(F)
U03AS MAIN (PE0630)	R8014	75007985	RESISTOR, CHIP(1005), CR1/16S 151DV PB(F)
U03AS MAIN (PE0630)	R8015	75009851	JUMPER, CHIP 1005TYPE, CR1/16S 000V PB(F
U03AS MAIN (PE0630)	R8016	75009851	JUMPER, CHIP 1005TYPE, CR1/16S 000V PB(F
U03AS MAIN (PE0630)	R8017	75009842	RESISTOR, CHIP (1005), CR1/16S 330JV PB(F)
U03AS MAIN (PE0630)	R8018	75009834	RESISTOR, CHIP (1005), CR1/16S 103JV PB(F)
U03AS MAIN (PE0630)	R8019	75009850	RESISTOR, CHIP (1005), CR1/16S 103JV PB(F)
U03AS MAIN (PE0630)	R8020	75009842	RESISTOR, CHIP (1005), CR1/16S 330JV PB(F)
U03AS MAIN (PE0630)	R8022	75008336	RESISTOR, CHIP(1005), CR1/16S 102JV PB(F)
U03AS MAIN (PE0630)	R8023	75009842	RESISTOR, CHIP (1005), CR1/16S 330JV PB(F)
U03AS MAIN (PE0630)	R8503	75009844	RESISTOR, CHIP (1005), CR1/16S 101JV PB(F)
U03AS MAIN (PE0630)	R8504	75009844	RESISTOR, CHIP (1005), CR1/16S 101JV PB(F)
U03AS MAIN (PE0630)	R8506	75009844	RESISTOR, CHIP (1005), CR1/16S 101JV PB(F)
U03AS MAIN (PE0630)	R8507	75009834	RESISTOR, CHIP (1005), CR1/16S 103JV PB(F)
U03AS MAIN (PE0630)	R8508	75007590	RESISTOR, CHIP(1005), CR1/16S 273JV PB(F)
U03AS MAIN (PE0630)	R8509	75009836	JUMPER, CHIP 1005TYPE, CR1/16S 000V PB(F
U03AS MAIN (PE0630)	R8510	75010701	RESISTOR, CHIP (1005), CR1/16S 302JV PB(F)
U03AS MAIN (PE0630)	R8511	75009846	RESISTOR, CHIP (1005), CR1/16S 152JV PB(F)
U03AS MAIN (PE0630)	R8512	75010706	RESISTOR, CHIP (1005), ERJ2GEJ510X
U03AS MAIN (PE0630)	R8514	75009836	JUMPER, CHIP 1005TYPE, CR1/16S 000V PB(F
U03AS MAIN (PE0630)	R8515	75010701	RESISTOR, CHIP (1005), CR1/16S 302JV PB(F)
U03AS MAIN (PE0630)	R8516	75009846	RESISTOR, CHIP (1005), CR1/16S 152JV PB(F)
U03AS MAIN (PE0630)	R8517	75010706	RESISTOR, CHIP (1005), ERJ2GEJ510X
U03AS MAIN (PE0630)	R8525	75009836	JUMPER, CHIP 1005TYPE, CR1/16S 000V PB(F
U03AS MAIN (PE0630)	R9017	75009851	JUMPER, CHIP 1005TYPE, CR1/16S 000V PB(F
U03AS MAIN (PE0630)	R9208	75009834	RESISTOR, CHIP (1005), CR1/16S 103JV PB(F)
U03AS MAIN (PE0630)	R9209	75009847	RESISTOR, CHIP (1005), CR1/16S 472JV PB(F)
U03AS MAIN (PE0630)	R9211	75009840	RESISTOR, CHIP (1005), CR1/16S 102JV PB(F)
U03AS MAIN (PE0630)	R9212	75009842	RESISTOR, CHIP (1005), CR1/16S 330JV PB(F)
U03AS MAIN (PE0630)	R9214	75009844	RESISTOR, CHIP (1005), CR1/16S 101JV PB(F)
U03AS MAIN (PE0630)	R9500	75005985	RESISTOR, CHIP (1005), CR1/16S 332JV PB(F)
U03AS MAIN (PE0630)	R9501	75005985	RESISTOR, CHIP (1005), CR1/16S 332JV PB(F)
U03AS MAIN (PE0630)	R9502	75009850	RESISTOR, CHIP (1005), CR1/16S 103JV PB(F)
U03AS MAIN (PE0630)	R9503	75009844	RESISTOR, CHIP (1005), CR1/16S 101JV PB(F)
U03AS MAIN (PE0630)	R9504	75012551	RESISTOR, CHIP(1608), ERJ3GEYJ243V
U03AS MAIN (PE0630)	R9505	75009851	JUMPER, CHIP 1005TYPE, CR1/16S 000V PB(F
U03AS MAIN (PE0630)	R9506	75012546	RESISTOR, CHIP(1608), CR1/16 362FV PB(F)
U03AS MAIN (PE0630)	R9507	75012545	RESISTOR, CHIP(1608), ERJ3GEYF243V

U03AS MAIN (PE0630)	R9508	75009832	RESISTOR, CHIP (1005), CR1/16S 103FV PB(F)
U03AS MAIN (PE0630)	R9511	75009832	RESISTOR, CHIP (1005), CR1/16S 103FV PB(F)
U03AS MAIN (PE0630)	R9512	75012547	RESISTOR, CHIP(1005), CR1/16S 750FV PB(F)
U03AS MAIN (PE0630)	R9513	75008013	RESISTOR, CHIP(1005), CR1/16S 101FV PB(F)
U03AS MAIN (PE0630)	R9514	75011116	RESISTOR, CHIP (1005), CR1/16S 392FV PB(F)
U03AS MAIN (PE0630)	R9515	75011076	RESISTOR, CHIP (1005), CR1/16S 682DV PB(F)
U03AS MAIN (PE0630)	R9516	75009844	RESISTOR, CHIP (1005), CR1/16S 101JV PB(F)
U03AS MAIN (PE0630)	R9517	75009850	RESISTOR, CHIP (1005), CR1/16S 103JV PB(F)
U03AS MAIN (PE0630)	R9518	75008533	RESISTOR, CHIP(1005), CR1/16S 102DV PB(F)
U03AS MAIN (PE0630)	R9519	75008533	RESISTOR, CHIP(1005), CR1/16S 102DV PB(F)
U03AS MAIN (PE0630)	R9520	75008533	RESISTOR, CHIP(1005), CR1/16S 102DV PB(F)
U03AS MAIN (PE0630)	R9521	75008533	RESISTOR, CHIP(1005), CR1/16S 102DV PB(F)
U03AS MAIN (PE0630)	R9524	75009850	RESISTOR, CHIP (1005), CR1/16S 103JV PB(F)
U03AS MAIN (PE0630)	R9525	75009851	JUMPER, CHIP 1005TYPE, CR1/16S 000V PB(F)
U03AS MAIN (PE0630)	R9601	75008335	RESISTOR, CHIP(1005), CR1/16S 103DV PB(F)
U03AS MAIN (PE0630)	R9602	75011074	RESISTOR, CHIP (1005), CR1/16S 473DV PB(F)
U03AS MAIN (PE0630)	R9603	75005996	RESISTOR, CHIP (1005), CR1/16S 682DV PB(F)
U03AS MAIN (PE0630)	R9605	75011075	RESISTOR, CHIP (1005), CR1/16S 104DV PB(F)
U03AS MAIN (PE0630)	R9606	75011075	RESISTOR, CHIP (1005), CR1/16S 104DV PB(F)
U03AS MAIN (PE0630)	R9607	75012278	RESISTOR, CHIP (1005), CR1/16S 512DV PB(F)
U03AS MAIN (PE0630)	R9608	75011075	RESISTOR, CHIP (1005), CR1/16S 104DV PB(F)
U03AS MAIN (PE0630)	R9611	75010857	RESISTOR, CHIP (1005), CR1/16S 124DV PB(F)
U03AS MAIN (PE0630)	R9612	75008335	RESISTOR, CHIP(1005), CR1/16S 103DV PB(F)
U03AS MAIN (PE0630)	R9613	75008335	RESISTOR, CHIP(1005), CR1/16S 103DV PB(F)
U03AS MAIN (PE0630)	R9614	75010852	RESISTOR, CHIP (1005), CR1/16S 333DV PB(F)
U03AS MAIN (PE0630)	R9615	75010862	RESISTOR, CHIP (1005), CR1/16S 274DV PB(F)
U03AS MAIN (PE0630)	R9637	75010850	RESISTOR, CHIP (1005), CR1/16S 223DV PB(F)
U03AS MAIN (PE0630)	R9638	75011074	RESISTOR, CHIP (1005), CR1/16S 473DV PB(F)
U03AS MAIN (PE0630)	R9639	75007989	RESISTOR, CHIP(1005), ERJ2RKD224X
U03AS MAIN (PE0630)	R9640	75010705	RESISTOR, CHIP (1005), CR1/16S 332DV PB(F)
U03AS MAIN (PE0630)	R9641	75008335	RESISTOR, CHIP(1005), CR1/16S 103DV PB(F)
U03AS MAIN (PE0630)	RM160	75009917	RESISTOR, NETWORK, CHIP (1005X4), CRA108
U03AS MAIN (PE0630)	RM161	75009917	RESISTOR, NETWORK, CHIP (1005X4), CRA108
U03AS MAIN (PE0630)	RM162	75009917	RESISTOR, NETWORK, CHIP (1005X4), CRA108
U03AS MAIN (PE0630)	RM163	75009917	RESISTOR, NETWORK, CHIP (1005X4), CRA108
U03AS MAIN (PE0630)	RM164	75009917	RESISTOR, NETWORK, CHIP (1005X4), CRA108
U03AS MAIN (PE0630)	RM165	75009917	RESISTOR, NETWORK, CHIP (1005X4), CRA108
U03AS MAIN (PE0630)	RM166	75009917	RESISTOR, NETWORK, CHIP (1005X4), CRA108
U03AS MAIN (PE0630)	RM701	75009839	RESISTOR, NETWORK CHIP (1005X4), CRA108
U03AS MAIN (PE0630)	RM702	75009839	RESISTOR, NETWORK CHIP (1005X4), CRA108
U03AS MAIN (PE0630)	RM703	75009839	RESISTOR, NETWORK CHIP (1005X4), CRA108
U03AS MAIN (PE0630)	RM704	75009839	RESISTOR, NETWORK CHIP (1005X4), CRA108
U03AS MAIN (PE0630)	RM705	75009839	RESISTOR, NETWORK CHIP (1005X4), CRA108
U03AS MAIN (PE0630)	RM706	75009839	RESISTOR, NETWORK CHIP (1005X4), CRA108
U03AS MAIN (PE0630)	RM707	75009828	RESISTOR, CHIP NETWORK (1005X4), CRA108
U03AS MAIN (PE0630)	RM708	75009828	RESISTOR, CHIP NETWORK (1005X4), CRA108
U03AS MAIN (PE0630)	RM709	75009828	RESISTOR, CHIP NETWORK (1005X4), CRA108

U03AS MAIN (PE0630)	RM710	75009828	RESISTOR, CHIP NETWORK (1005X4), CRA108
U03AS MAIN (PE0630)	RM711	75009828	RESISTOR, CHIP NETWORK (1005X4), CRA108
U03AS MAIN (PE0630)	RM712	75009828	RESISTOR, CHIP NETWORK (1005X4), CRA108
U03AS MAIN (PE0630)	RM713	75009921	RESISTOR, NETWORK, CHIP (1005X4), CRA108
U03AS MAIN (PE0630)	RM714	75009921	RESISTOR, NETWORK, CHIP (1005X4), CRA108
U03AS MAIN (PE0630)	RM715	75009917	RESISTOR, NETWORK, CHIP (1005X4), CRA108
U03AS MAIN (PE0630)	RM716	75009917	RESISTOR, NETWORK, CHIP (1005X4), CRA108
U03AS MAIN (PE0630)	RM717	75009917	RESISTOR, NETWORK, CHIP (1005X4), CRA108
U03AS MAIN (PE0630)	RM718	75009917	RESISTOR, NETWORK, CHIP (1005X4), CRA108
U03AS MAIN (PE0630)	RM800	75009921	RESISTOR, NETWORK, CHIP (1005X4), CRA108
U03AS MAIN (PE0630)	RM801	75009921	RESISTOR, NETWORK, CHIP (1005X4), CRA108
U03AS MAIN (PE0630)	RV200	75008678	VARISTOR, EZJZ0V270RA
U03AS MAIN (PE0630)	RV201	75008678	VARISTOR, EZJZ0V270RA
U03AS MAIN (PE0630)	RV202	75008678	VARISTOR, EZJZ0V270RA
U03AS MAIN (PE0630)	RV203	75008678	VARISTOR, EZJZ0V270RA
U03AS MAIN (PE0630)	RV204	75008678	VARISTOR, EZJZ0V270RA
U03AS MAIN (PE0630)	RV206	75008678	VARISTOR, EZJZ0V270RA
U03AS MAIN (PE0630)	RV207	75008678	VARISTOR, EZJZ0V270RA
U03AS MAIN (PE0630)	RV209	75008678	VARISTOR, EZJZ0V270RA
U03AS MAIN (PE0630)	RV210	75008678	VARISTOR, EZJZ0V270RA
U03AS MAIN (PE0630)	RV213	75008678	VARISTOR, EZJZ0V270RA
U03AS MAIN (PE0630)	RV214	75008678	VARISTOR, EZJZ0V270RA
U03AS MAIN (PE0630)	RV215	75008678	VARISTOR, EZJZ0V270RA
U03AS MAIN (PE0630)	RV500	75008678	VARISTOR, EZJZ0V270RA
U03AS MAIN (PE0630)	RV501	75008678	VARISTOR, EZJZ0V270RA
U03AS MAIN (PE0630)	RV502	75008678	VARISTOR, EZJZ0V270RA
U03AS MAIN (PE0630)	RV503	75008678	VARISTOR, EZJZ0V270RA
U03AS MAIN (PE0630)	W1001	75009836	JUMPER, CHIP 1005TYPE, CR1/16S 000V PB(F)
U03AS MAIN (PE0630)	W1100	75009836	JUMPER, CHIP 1005TYPE, CR1/16S 000V PB(F)
U03AS MAIN (PE0630)	W1101	75009836	JUMPER, CHIP 1005TYPE, CR1/16S 000V PB(F)
U03AS MAIN (PE0630)	W1201	75009837	JUMPER, CHIP 1608TYPE, CR1/16 000V PB(F)
U03AS MAIN (PE0630)	W1301	75009837	JUMPER, CHIP 1608TYPE, CR1/16 000V PB(F)
U03AS MAIN (PE0630)	W1302	75009837	JUMPER, CHIP 1608TYPE, CR1/16 000V PB(F)
U03AS MAIN (PE0630)	W1303	75009837	JUMPER, CHIP 1608TYPE, CR1/16 000V PB(F)
U03AS MAIN (PE0630)	W1304	75009837	JUMPER, CHIP 1608TYPE, CR1/16 000V PB(F)
U03AS MAIN (PE0630)	W7081	75009842	RESISTOR, CHIP (1005), CR1/16S 330JV PB(F)
U03AS MAIN (PE0630)	W8000	75009851	JUMPER, CHIP 1005TYPE, CR1/16S 000V PB(F)
U03AS MAIN (PE0630)	W8001	75009851	JUMPER, CHIP 1005TYPE, CR1/16S 000V PB(F)
U03AS MAIN (PE0630)	W8004	75009923	RESISTOR, CHIP (2012), CR1/10 000V PB(F)
U03AS MAIN (PE0630)	W8005	75009923	RESISTOR, CHIP (2012), CR1/10 000V PB(F)
U03AS MAIN (PE0630)	W8006	75012552	JUMPER, CHIP 3216TYPE, CR1/8 000V PB(F)
U03AS MAIN (PE0630)	W8007	75012552	JUMPER, CHIP 3216TYPE, CR1/8 000V PB(F)
U03AS MAIN (PE0630)	W8008	75012552	JUMPER, CHIP 3216TYPE, CR1/8 000V PB(F)
U03AS MAIN (PE0630)	W8009	75012552	JUMPER, CHIP 3216TYPE, CR1/8 000V PB(F)
U03AS MAIN (PE0630)	W9003	75009837	JUMPER, CHIP 1608TYPE, CR1/16 000V PB(F)
U03AS MAIN (PE0630)	W9004	75009837	JUMPER, CHIP 1608TYPE, CR1/16 000V PB(F)
U03AS MAIN (PE0630)	W9006	75009837	JUMPER, CHIP 1608TYPE, CR1/16 000V PB(F)

U03AS MAIN (PE0630)		W9007	75009837	JUMPER, CHIP 1608TYPE, CR1/16 000V PB(F)
U03AS MAIN (PE0630)		W9025	75009837	JUMPER, CHIP 1608TYPE, CR1/16 000V PB(F)
U03AS MAIN (PE0630)		W9027	75009837	JUMPER, CHIP 1608TYPE, CR1/16 000V PB(F)
U03AS MAIN (PE0630)		W9502	75010114	RESISTOR, CHIP (1608), CR1/16 102JV PB(F)
U03AS MAIN (PE0630)		W9503	75009837	JUMPER, CHIP 1608TYPE, CR1/16 000V PB(F)
U03AS MAIN (PE0630)		W9603	75009851	JUMPER, CHIP 1005TYPE, CR1/16S 000V PB(F)
U03AS MAIN (PE0630)		W9611	75009851	JUMPER, CHIP 1005TYPE, CR1/16S 000V PB(F)
U03AS MAIN (PE0630)		X1301	75012563	CRYSTAL, CHIP, SMD-49 12MHZ 12PF
U03AS MAIN (PE0630)		X8001	75011438	RESONATOR, 20PPM 70OHM CL=8PF, NX5032C
Miscellaneous		B001A	75011173	LCD PANEL, LC420WXN-SAB1
Miscellaneous		H001	75010735	TUNER, ENG37E05KF
Miscellaneous		MZ01A	75010968	WIRE HARNESS, MF0154
Miscellaneous		P801	23372353	POWER CORD, UK 250V3A FL/FUSE13
Miscellaneous		P801	23372368	POWER CORD, CEE FL M5206 250V2 206 - 2.3
Miscellaneous		PP08	23974994	BAND, KESSOKU
Miscellaneous		U800	75012584	POWER UNIT, SRV2170WW
Miscellaneous		W661	75011535	SPEAKER, SPK1503AO, 35X120 8-OHM 10W
Miscellaneous		Z006	23103840	FERRITE CORE, TFE1013
Miscellaneous		Z007	23103914	FERRITE CORE, TFE1015AD
Miscellaneous		Z008	23103841	FERRITE CORE, TFE1014
Miscellaneous		Z009	23103778	FERRITE CORE, TFE1008
Accessory		Y101	75012576	OWNERS MANUAL
Accessory		Y101E	75012578	OWNERS MANUAL, EURO
Accessory		Y102E	75012579	OWNERS MANUAL, NORDIC
Accessory		Y105	75010347	OWNERS MANUAL, STD EU
Accessory		Y110	75012577	OWNERS MANUAL, QSUG
Accessory		Y114	75012580	OWNERS MANUAL, ITA, SCHEMA
Accessory		Y115	75009771	OWNERS MANUAL, XF DIGITAL UK RETUNE GU
Accessory		Y130	75010737	REMOCON HAND UNIT, CT-90300
Accessory		Y131	75012514	POWER UNIT BATTERY, R03UG(JE)SP-2TGC-T
Accessory		Y170	23845800	HOLDER, WIRE, NYLON66 D6.8
Accessory		Y186	75009788	CLOTH, CLEAN
Cabinet		A201	75010959	FRNT BEZEL ASSY
Cabinet		A401	75010960	BACK COVER ASSY
Cabinet		A412	75010345	SCREW, BITTB3X8 SBN
Cabinet		A420	75010961	BRACKET ASSY, STAND
Cabinet		A421	75011371	BASE COVER, STAND
Cabinet		A430	75005733	PIECE CLAMP HOLDER
Packing		A701A	75010966	CARTON BOX, TOP
Packing		A701B	75010965	CARTON BOX, BOTTOM
Packing		A702A	75010964	PAD, TOP PACKING
Packing		A702B	75010963	PAD, BOTTOM PACKING
Packing		A705	23518043	PACKING, JOINT

# PARTS LIST

Block : U02A KEY/LED/RMT (PE0491) ▾

Block	Location	Parts No.	Description	AA	S	M	L		
U02A KEY/LED/RMT (PE0491)	*U02A	75010694	PC BOARD ASSY, PE0491A1, KEY/LED/RMT						
U02A KEY/LED/RMT (PE0491)	CB02	75005969	CAPACITOR ELECTROLYTIC 10V 221M, ESRE100ETC:						
U02A KEY/LED/RMT (PE0491)	CB03	76100104	CAPACITOR, CERAMIC CHIP, 25V F 0.1UF Z						
U02A KEY/LED/RMT (PE0491)	CB04	76100104	CAPACITOR, CERAMIC CHIP, 25V F 0.1UF Z						
U02A KEY/LED/RMT (PE0491)	CB05	75005969	CAPACITOR ELECTROLYTIC 10V 221M, ESRE100ETC:						
U02A KEY/LED/RMT (PE0491)	DB01	23358602	DIODE, LED RED-GRN, SPR-54MVWFLMN						
U02A KEY/LED/RMT (PE0491)	DB04	23358602	DIODE, LED RED-GRN, SPR-54MVWFLMN						
U02A KEY/LED/RMT (PE0491)	DB22	23362251	DIODE, SDS511(SOD-323)						
U02A KEY/LED/RMT (PE0491)	DB23	23362251	DIODE, SDS511(SOD-323)						
U02A KEY/LED/RMT (PE0491)	GB01	23362042	DIODE, ZENER, UDZS6.8B						
U02A KEY/LED/RMT (PE0491)	KB01	75002236	IC, GP1UE261RKVF						
U02A KEY/LED/RMT (PE0491)	QB01	23205443	TRANSISTOR, 2SA1162-Y(F)						
U02A KEY/LED/RMT (PE0491)	QB02	23205392	TRANSISTOR, 2SC5343UF-Y(BULK)						
U02A KEY/LED/RMT (PE0491)	QB03	23205392	TRANSISTOR, 2SC5343UF-Y(BULK)						
U02A KEY/LED/RMT (PE0491)	RA71	76011683	RESISTOR, CHIP, 1/20W 68K OHM J						
U02A KEY/LED/RMT (PE0491)	RA72	76011223	RESISTOR, CHIP, 1/20W 22K OHM J						
U02A KEY/LED/RMT (PE0491)	RA73	76011103	RESISTOR, CHIP, 1/20W 10K OHM J						
U02A KEY/LED/RMT (PE0491)	RA74	76000445	CHIP JUMPER, 1608TYPE						
U02A KEY/LED/RMT (PE0491)	RA77	76011103	RESISTOR, CHIP, 1/20W 10K OHM J						
U02A KEY/LED/RMT (PE0491)	RA78	76000445	CHIP JUMPER, 1608TYPE						
U02A KEY/LED/RMT (PE0491)	RA79	76000445	CHIP JUMPER, 1608TYPE						
U02A KEY/LED/RMT (PE0491)	RB08	76011470	RESISTOR, CHIP, 1/20W 47 OHM J						
U02A KEY/LED/RMT (PE0491)	RB09	76011470	RESISTOR, CHIP, 1/20W 47 OHM J						
U02A KEY/LED/RMT (PE0491)	RB10	76011181	RESISTOR, CHIP, 1/20W 180 OHM J						
U02A KEY/LED/RMT (PE0491)	RB11	76011271	RESISTOR, CHIP, 1/20W 270 OHM J						
U02A KEY/LED/RMT (PE0491)	RB12	76011181	RESISTOR, CHIP, 1/20W 180 OHM J						
U02A KEY/LED/RMT (PE0491)	RB13	76011102	RESISTOR, CHIP, 1/20W 1K OHM J						
U02A KEY/LED/RMT (PE0491)	RB14	76011102	RESISTOR, CHIP, 1/20W 1K OHM J						
U02A KEY/LED/RMT (PE0491)	RB18	76011102	RESISTOR, CHIP, 1/20W 1K OHM J						
U02A KEY/LED/RMT (PE0491)	SA01	23344505	SWITCH, PUSH 1C1P						
U02A KEY/LED/RMT (PE0491)	SA02	23344505	SWITCH, PUSH 1C1P						
U02A KEY/LED/RMT (PE0491)	SA03	23344505	SWITCH, PUSH 1C1P						
U02A KEY/LED/RMT (PE0491)	SA04	23344505	SWITCH, PUSH 1C1P						
U02A KEY/LED/RMT (PE0491)	SA05	23344505	SWITCH, PUSH 1C1P						
U02A KEY/LED/RMT (PE0491)	SA06	23344505	SWITCH, PUSH 1C1P						
U02A KEY/LED/RMT (PE0491)	SA07	23344505	SWITCH, PUSH 1C1P						



## PARTS LIST

Block :

U03AS MAIN (PE0630) 

Block	Location	Parts No.	Description	AA	S
U03AS MAIN (PE0630)	*U03AS	75013498	PC BOARD ASSY, PE0630A, MAIN		
U03AS MAIN (PE0630)	C1001	75008342	CAPACITOR, CERAMIC CHIP(1005), CM05B473K10AH		
U03AS MAIN (PE0630)	C1002	75008342	CAPACITOR, CERAMIC CHIP(1005), CM05B473K10AH		
U03AS MAIN (PE0630)	C1003	75008342	CAPACITOR, CERAMIC CHIP(1005), CM05B473K10AH		
U03AS MAIN (PE0630)	C1004	75008342	CAPACITOR, CERAMIC CHIP(1005), CM05B473K10AH		
U03AS MAIN (PE0630)	C1005	75008342	CAPACITOR, CERAMIC CHIP(1005), CM05B473K10AH		
U03AS MAIN (PE0630)	C1006	75008342	CAPACITOR, CERAMIC CHIP(1005), CM05B473K10AH		
U03AS MAIN (PE0630)	C1007	75009866	CAPACITOR, CERAMIC CHIP (1005), CM05W5R102K50/		
U03AS MAIN (PE0630)	C1008	75008342	CAPACITOR, CERAMIC CHIP(1005), CM05B473K10AH		
U03AS MAIN (PE0630)	C1009	75008342	CAPACITOR, CERAMIC CHIP(1005), CM05B473K10AH		
U03AS MAIN (PE0630)	C1010	75008342	CAPACITOR, CERAMIC CHIP(1005), CM05B473K10AH		
U03AS MAIN (PE0630)	C1011	75009866	CAPACITOR, CERAMIC CHIP (1005), CM05W5R102K50/		
U03AS MAIN (PE0630)	C1012	75009867	CAPACITOR, CERAMIC CHIP (1005), CM05B104K10AH		
U03AS MAIN (PE0630)	C1013	75009867	CAPACITOR, CERAMIC CHIP (1005), CM05B104K10AH		
U03AS MAIN (PE0630)	C1014	75009867	CAPACITOR, CERAMIC CHIP (1005), CM05B104K10AH		
U03AS MAIN (PE0630)	C1015	75012559	CAPACITOR, CERA CHIP, 10V JB 473K 1005 SIZE, C100		
U03AS MAIN (PE0630)	C1016	75012559	CAPACITOR, CERA CHIP, 10V JB 473K 1005 SIZE, C100		
U03AS MAIN (PE0630)	C1017	75012559	CAPACITOR, CERA CHIP, 10V JB 473K 1005 SIZE, C100		
U03AS MAIN (PE0630)	C1018	75012559	CAPACITOR, CERA CHIP, 10V JB 473K 1005 SIZE, C100		
U03AS MAIN (PE0630)	C1019	75012559	CAPACITOR, CERA CHIP, 10V JB 473K 1005 SIZE, C100		
U03AS MAIN (PE0630)	C1020	75012559	CAPACITOR, CERA CHIP, 10V JB 473K 1005 SIZE, C100		
U03AS MAIN (PE0630)	C1021	75012559	CAPACITOR, CERA CHIP, 10V JB 473K 1005 SIZE, C100		
U03AS MAIN (PE0630)	C1022	75009867	CAPACITOR, CERAMIC CHIP (1005), CM05B104K10AH		
U03AS MAIN (PE0630)	C1023	75009881	CAPACITOR, CERAMIC CHIP (2012), C2012JB1A106KT		
U03AS MAIN (PE0630)	C1024	75009871	CAPACITOR, CERAMIC CHIP (1005), GRM1552C1H100J		
U03AS MAIN (PE0630)	C1025	75009836	JUMPER, CHIP 1005TYPE, CR1/16S 000V PB(F)		
U03AS MAIN (PE0630)	C1100	75012556	CAPACITOR, CERA CHIP, 50V JB 331K 1005 SIZE, C100		
U03AS MAIN (PE0630)	C1101	75012556	CAPACITOR, CERA CHIP, 50V JB 331K 1005 SIZE, C100		
U03AS MAIN (PE0630)	C1102	75012556	CAPACITOR, CERA CHIP, 50V JB 331K 1005 SIZE, C100		
U03AS MAIN (PE0630)	C1103	75012556	CAPACITOR, CERA CHIP, 50V JB 331K 1005 SIZE, C100		
U03AS MAIN (PE0630)	C1104	75012556	CAPACITOR, CERA CHIP, 50V JB 331K 1005 SIZE, C100		
U03AS MAIN (PE0630)	C1105	75012556	CAPACITOR, CERA CHIP, 50V JB 331K 1005 SIZE, C100		
U03AS MAIN (PE0630)	C1106	75012556	CAPACITOR, CERA CHIP, 50V JB 331K 1005 SIZE, C100		
U03AS MAIN (PE0630)	C1107	75012556	CAPACITOR, CERA CHIP, 50V JB 331K 1005 SIZE, C100		
U03AS MAIN (PE0630)	C1108	75009932	CAPACITOR, CARAMIC CHIP (1005), CM05W5R561K50/		
U03AS MAIN (PE0630)	C1109	75009932	CAPACITOR, CARAMIC CHIP (1005), CM05W5R561K50/		
U03AS MAIN (PE0630)	C1110	75009932	CAPACITOR, CARAMIC CHIP (1005), CM05W5R561K50/		
U03AS MAIN (PE0630)	C1111	75009932	CAPACITOR, CARAMIC CHIP (1005), CM05W5R561K50/		
U03AS MAIN (PE0630)	C1112	75009932	CAPACITOR, CARAMIC CHIP (1005), CM05W5R561K50/		
U03AS MAIN (PE0630)	C1113	75009932	CAPACITOR, CARAMIC CHIP (1005), CM05W5R561K50/		
U03AS MAIN (PE0630)	C1114	75009932	CAPACITOR, CARAMIC CHIP (1005), CM05W5R561K50/		
U03AS MAIN (PE0630)	C1115	75009932	CAPACITOR, CARAMIC CHIP (1005), CM05W5R561K50/		
U03AS MAIN (PE0630)	C1116	75005754	CAPACITOR, CERAMIC CHIP, GRM188B31A225KE33D		
U03AS MAIN (PE0630)	C1117	75005754	CAPACITOR, CERAMIC CHIP, GRM188B31A225KE33D		
U03AS MAIN (PE0630)	C1118	75005754	CAPACITOR, CERAMIC CHIP, GRM188B31A225KE33D		
U03AS MAIN (PE0630)	C1119	75005754	CAPACITOR, CERAMIC CHIP, GRM188B31A225KE33D		

U03AS MAIN (PE0630)	C1120	75005754	CAPACITOR, CERAMIC CHIP, GRM188B31A225KE33D
U03AS MAIN (PE0630)	C1121	75005754	CAPACITOR, CERAMIC CHIP, GRM188B31A225KE33D
U03AS MAIN (PE0630)	C1122	75005754	CAPACITOR, CERAMIC CHIP, GRM188B31A225KE33D
U03AS MAIN (PE0630)	C1123	75005754	CAPACITOR, CERAMIC CHIP, GRM188B31A225KE33D
U03AS MAIN (PE0630)	C1124	75009875	CAPACITOR, CERAMIC CHIP (1608), GRM188B31H104K
U03AS MAIN (PE0630)	C1125	75012562	CAPACITOR, CERAMIC CHIP(1005), EMK105BJ153KV-F
U03AS MAIN (PE0630)	C1126	75012562	CAPACITOR, CERAMIC CHIP(1005), EMK105BJ153KV-F
U03AS MAIN (PE0630)	C1127	75005814	CAPACITOR, CERAMIC CHIP, 2012 GRM21BB31C106KE
U03AS MAIN (PE0630)	C1128	75009869	CAPACITOR, CERAMIC CHIP (1005), CM05X5R105K06A
U03AS MAIN (PE0630)	C1130	75006008	CAPACITOR, CERAMIC CHIP (2012), GRM21BB31C475K
U03AS MAIN (PE0630)	C1131	75009875	CAPACITOR, CERAMIC CHIP (1608), GRM188B31H104K
U03AS MAIN (PE0630)	C1134	75012562	CAPACITOR, CERAMIC CHIP(1005), EMK105BJ153KV-F
U03AS MAIN (PE0630)	C1135	75012562	CAPACITOR, CERAMIC CHIP(1005), EMK105BJ153KV-F
U03AS MAIN (PE0630)	C1136	75012562	CAPACITOR, CERAMIC CHIP(1005), EMK105BJ153KV-F
U03AS MAIN (PE0630)	C1137	75012562	CAPACITOR, CERAMIC CHIP(1005), EMK105BJ153KV-F
U03AS MAIN (PE0630)	C1216	75009867	CAPACITOR, CERAMIC CHIP (1005), CM05B104K10AH
U03AS MAIN (PE0630)	C1301	75009869	CAPACITOR, CERAMIC CHIP (1005), CM05X5R105K06A
U03AS MAIN (PE0630)	C1302	75012554	CAPACITOR, CERA CHIP, 50V CH 220J 1005 SIZE, C10
U03AS MAIN (PE0630)	C1303	75012453	CAPACITOR, CERAMIC CHIP, 50V CH 150J, C1005CH11
U03AS MAIN (PE0630)	C1310	75007603	CAPACITOR, CERAMIC CHIP(1005), CM05CH101J50AH
U03AS MAIN (PE0630)	C1401	75009867	CAPACITOR, CERAMIC CHIP (1005), CM05B104K10AH
U03AS MAIN (PE0630)	C1402	75009867	CAPACITOR, CERAMIC CHIP (1005), CM05B104K10AH
U03AS MAIN (PE0630)	C1403	75009867	CAPACITOR, CERAMIC CHIP (1005), CM05B104K10AH
U03AS MAIN (PE0630)	C1404	75009867	CAPACITOR, CERAMIC CHIP (1005), CM05B104K10AH
U03AS MAIN (PE0630)	C1405	75009867	CAPACITOR, CERAMIC CHIP (1005), CM05B104K10AH
U03AS MAIN (PE0630)	C1406	75009867	CAPACITOR, CERAMIC CHIP (1005), CM05B104K10AH
U03AS MAIN (PE0630)	C1407	75009867	CAPACITOR, CERAMIC CHIP (1005), CM05B104K10AH
U03AS MAIN (PE0630)	C1408	75009867	CAPACITOR, CERAMIC CHIP (1005), CM05B104K10AH
U03AS MAIN (PE0630)	C1409	75009867	CAPACITOR, CERAMIC CHIP (1005), CM05B104K10AH
U03AS MAIN (PE0630)	C1410	75009867	CAPACITOR, CERAMIC CHIP (1005), CM05B104K10AH
U03AS MAIN (PE0630)	C1411	75009867	CAPACITOR, CERAMIC CHIP (1005), CM05B104K10AH
U03AS MAIN (PE0630)	C1412	75009867	CAPACITOR, CERAMIC CHIP (1005), CM05B104K10AH
U03AS MAIN (PE0630)	C1413	75009867	CAPACITOR, CERAMIC CHIP (1005), CM05B104K10AH
U03AS MAIN (PE0630)	C1414	75009867	CAPACITOR, CERAMIC CHIP (1005), CM05B104K10AH
U03AS MAIN (PE0630)	C1415	75009867	CAPACITOR, CERAMIC CHIP (1005), CM05B104K10AH
U03AS MAIN (PE0630)	C1416	75009867	CAPACITOR, CERAMIC CHIP (1005), CM05B104K10AH
U03AS MAIN (PE0630)	C1417	75009867	CAPACITOR, CERAMIC CHIP (1005), CM05B104K10AH
U03AS MAIN (PE0630)	C1418	75009867	CAPACITOR, CERAMIC CHIP (1005), CM05B104K10AH
U03AS MAIN (PE0630)	C1419	75009867	CAPACITOR, CERAMIC CHIP (1005), CM05B104K10AH
U03AS MAIN (PE0630)	C1420	75009867	CAPACITOR, CERAMIC CHIP (1005), CM05B104K10AH
U03AS MAIN (PE0630)	C1421	75009867	CAPACITOR, CERAMIC CHIP (1005), CM05B104K10AH
U03AS MAIN (PE0630)	C1422	75009867	CAPACITOR, CERAMIC CHIP (1005), CM05B104K10AH
U03AS MAIN (PE0630)	C1423	75009867	CAPACITOR, CERAMIC CHIP (1005), CM05B104K10AH
U03AS MAIN (PE0630)	C1424	75009867	CAPACITOR, CERAMIC CHIP (1005), CM05B104K10AH
U03AS MAIN (PE0630)	C1425	75009867	CAPACITOR, CERAMIC CHIP (1005), CM05B104K10AH
U03AS MAIN (PE0630)	C1426	75009867	CAPACITOR, CERAMIC CHIP (1005), CM05B104K10AH
U03AS MAIN (PE0630)	C1502	75009867	CAPACITOR, CERAMIC CHIP (1005), CM05B104K10AH

U03AS MAIN (PE0630)	C1504	75009867	CAPACITOR, CERAMIC CHIP (1005), CM05B104K10AH
U03AS MAIN (PE0630)	C1505	75009867	CAPACITOR, CERAMIC CHIP (1005), CM05B104K10AH
U03AS MAIN (PE0630)	C1509	75009867	CAPACITOR, CERAMIC CHIP (1005), CM05B104K10AH
U03AS MAIN (PE0630)	C1510	75012561	CAPACITOR, CERA CHIP, 16V JB 104K 1005 SIZE, C10
U03AS MAIN (PE0630)	C1511	75009867	CAPACITOR, CERAMIC CHIP (1005), CM05B104K10AH
U03AS MAIN (PE0630)	C1518	75009867	CAPACITOR, CERAMIC CHIP (1005), CM05B104K10AH
U03AS MAIN (PE0630)	C1601	75009867	CAPACITOR, CERAMIC CHIP (1005), CM05B104K10AH
U03AS MAIN (PE0630)	C1602	75009867	CAPACITOR, CERAMIC CHIP (1005), CM05B104K10AH
U03AS MAIN (PE0630)	C1603	75009867	CAPACITOR, CERAMIC CHIP (1005), CM05B104K10AH
U03AS MAIN (PE0630)	C1604	75009867	CAPACITOR, CERAMIC CHIP (1005), CM05B104K10AH
U03AS MAIN (PE0630)	C1605	75009867	CAPACITOR, CERAMIC CHIP (1005), CM05B104K10AH
U03AS MAIN (PE0630)	C1606	75009867	CAPACITOR, CERAMIC CHIP (1005), CM05B104K10AH
U03AS MAIN (PE0630)	C1607	75009867	CAPACITOR, CERAMIC CHIP (1005), CM05B104K10AH
U03AS MAIN (PE0630)	C1608	75009867	CAPACITOR, CERAMIC CHIP (1005), CM05B104K10AH
U03AS MAIN (PE0630)	C1609	75009867	CAPACITOR, CERAMIC CHIP (1005), CM05B104K10AH
U03AS MAIN (PE0630)	C1610	75009867	CAPACITOR, CERAMIC CHIP (1005), CM05B104K10AH
U03AS MAIN (PE0630)	C1701	75009867	CAPACITOR, CERAMIC CHIP (1005), CM05B104K10AH
U03AS MAIN (PE0630)	C1702	75009867	CAPACITOR, CERAMIC CHIP (1005), CM05B104K10AH
U03AS MAIN (PE0630)	C1703	75009867	CAPACITOR, CERAMIC CHIP (1005), CM05B104K10AH
U03AS MAIN (PE0630)	C2000	75009875	CAPACITOR, CERAMIC CHIP (1608), GRM188B31H104K
U03AS MAIN (PE0630)	C2001	75005754	CAPACITOR, CERAMIC CHIP, GRM188B31A225KE33D
U03AS MAIN (PE0630)	C2105	75005814	CAPACITOR, CERAMIC CHIP, 2012 GRM21BB31C106KE
U03AS MAIN (PE0630)	C2106	75005814	CAPACITOR, CERAMIC CHIP, 2012 GRM21BB31C106KE
U03AS MAIN (PE0630)	C2107	75007611	CAPACITOR, CERAMIC CHIP(1005), GRM155B11H152K
U03AS MAIN (PE0630)	C2108	75007611	CAPACITOR, CERAMIC CHIP(1005), GRM155B11H152K
U03AS MAIN (PE0630)	C2109	75009872	CAPACITOR, ELECTROLYTIC CHIP, EEEHB1C100R
U03AS MAIN (PE0630)	C2203	75005814	CAPACITOR, CERAMIC CHIP, 2012 GRM21BB31C106KE
U03AS MAIN (PE0630)	C2204	75005814	CAPACITOR, CERAMIC CHIP, 2012 GRM21BB31C106KE
U03AS MAIN (PE0630)	C2205	75007611	CAPACITOR, CERAMIC CHIP(1005), GRM155B11H152K
U03AS MAIN (PE0630)	C2206	75007611	CAPACITOR, CERAMIC CHIP(1005), GRM155B11H152K
U03AS MAIN (PE0630)	C2207	75009872	CAPACITOR, ELECTROLYTIC CHIP, EEEHB1C100R
U03AS MAIN (PE0630)	C2208	75009872	CAPACITOR, ELECTROLYTIC CHIP, EEEHB1C100R
U03AS MAIN (PE0630)	C2401	75007605	CAPACITOR, CERAMIC CHIP(1005), CM05W5R222K50A
U03AS MAIN (PE0630)	C2402	75007605	CAPACITOR, CERAMIC CHIP(1005), CM05W5R222K50A
U03AS MAIN (PE0630)	C2403	75009866	CAPACITOR, CERAMIC CHIP (1005), CM05W5R102K50A
U03AS MAIN (PE0630)	C2404	75009866	CAPACITOR, CERAMIC CHIP (1005), CM05W5R102K50A
U03AS MAIN (PE0630)	C2405	75009866	CAPACITOR, CERAMIC CHIP (1005), CM05W5R102K50A
U03AS MAIN (PE0630)	C2406	75009866	CAPACITOR, CERAMIC CHIP (1005), CM05W5R102K50A
U03AS MAIN (PE0630)	C2701	75009869	CAPACITOR, CERAMIC CHIP (1005), CM05X5R105K06A
U03AS MAIN (PE0630)	C2702	75009869	CAPACITOR, CERAMIC CHIP (1005), CM05X5R105K06A
U03AS MAIN (PE0630)	C2704	75006011	CAPACITOR, ELECTROLYTIC CHIP, EEEHB1A101P
U03AS MAIN (PE0630)	C2705	75007607	CAPACITOR, ELECTROLYTIC CHIP, 16SGV470M8X10.5
U03AS MAIN (PE0630)	C2711	75009869	CAPACITOR, CERAMIC CHIP (1005), CM05X5R105K06A
U03AS MAIN (PE0630)	C2712	75009869	CAPACITOR, CERAMIC CHIP (1005), CM05X5R105K06A
U03AS MAIN (PE0630)	C2715	75007607	CAPACITOR, ELECTROLYTIC CHIP, 16SGV470M8X10.5
U03AS MAIN (PE0630)	C2805	75009867	CAPACITOR, CERAMIC CHIP (1005), CM05B104K10AH
U03AS MAIN (PE0630)	C2806	75009869	CAPACITOR, CERAMIC CHIP (1005), CM05X5R105K06A

U03AS MAIN (PE0630)	C2807	75002272	CAPACITOR, CERAMIC CHIP, 25V CH 220PF J, C1005C
U03AS MAIN (PE0630)	C2808	75007604	CAPACITOR, CERAMIC CHI(1005), CM05W5R152K50AH
U03AS MAIN (PE0630)	C2809	75007605	CAPACITOR, CERAMIC CHIP(1005), CM05W5R222K50A
U03AS MAIN (PE0630)	C2810	75009867	CAPACITOR, CERAMIC CHIP (1005), CM05B104K10AH
U03AS MAIN (PE0630)	C2900	75005754	CAPACITOR, CERAMIC CHIP, GRM188B31A225KE33D
U03AS MAIN (PE0630)	C2901	75005754	CAPACITOR, CERAMIC CHIP, GRM188B31A225KE33D
U03AS MAIN (PE0630)	C2905	75005754	CAPACITOR, CERAMIC CHIP, GRM188B31A225KE33D
U03AS MAIN (PE0630)	C3000	75009867	CAPACITOR, CERAMIC CHIP (1005), CM05B104K10AH
U03AS MAIN (PE0630)	C3001	75009867	CAPACITOR, CERAMIC CHIP (1005), CM05B104K10AH
U03AS MAIN (PE0630)	C3004	75009856	CAPACITOR, CERAMIC CHIP (1608), CM105W5R104K16
U03AS MAIN (PE0630)	C3005	75009856	CAPACITOR, CERAMIC CHIP (1608), CM105W5R104K16
U03AS MAIN (PE0630)	C3006	75009856	CAPACITOR, CERAMIC CHIP (1608), CM105W5R104K16
U03AS MAIN (PE0630)	C3007	75009867	CAPACITOR, CERAMIC CHIP (1005), CM05B104K10AH
U03AS MAIN (PE0630)	C3008	75009877	CAPACITOR, CERAMIC CHIP (1005), GRM155B11E103K
U03AS MAIN (PE0630)	C3009	75009867	CAPACITOR, CERAMIC CHIP (1005), CM05B104K10AH
U03AS MAIN (PE0630)	C3010	75009877	CAPACITOR, CERAMIC CHIP (1005), GRM155B11E103K
U03AS MAIN (PE0630)	C3011	75009867	CAPACITOR, CERAMIC CHIP (1005), CM05B104K10AH
U03AS MAIN (PE0630)	C3013	75009877	CAPACITOR, CERAMIC CHIP (1005), GRM155B11E103K
U03AS MAIN (PE0630)	C3014	75009867	CAPACITOR, CERAMIC CHIP (1005), CM05B104K10AH
U03AS MAIN (PE0630)	C3015	75009877	CAPACITOR, CERAMIC CHIP (1005), GRM155B11E103K
U03AS MAIN (PE0630)	C3016	75009867	CAPACITOR, CERAMIC CHIP (1005), CM05B104K10AH
U03AS MAIN (PE0630)	C3017	75009877	CAPACITOR, CERAMIC CHIP (1005), GRM155B11E103K
U03AS MAIN (PE0630)	C3018	75009867	CAPACITOR, CERAMIC CHIP (1005), CM05B104K10AH
U03AS MAIN (PE0630)	C3019	75009877	CAPACITOR, CERAMIC CHIP (1005), GRM155B11E103K
U03AS MAIN (PE0630)	C3020	75012555	CAPACITOR, CERA CHIP, 50V CH 470J 1005 SIZE, C10
U03AS MAIN (PE0630)	C3021	75012555	CAPACITOR, CERA CHIP, 50V CH 470J 1005 SIZE, C10
U03AS MAIN (PE0630)	C3022	75009867	CAPACITOR, CERAMIC CHIP (1005), CM05B104K10AH
U03AS MAIN (PE0630)	C3501	75009867	CAPACITOR, CERAMIC CHIP (1005), CM05B104K10AH
U03AS MAIN (PE0630)	C3502	75009867	CAPACITOR, CERAMIC CHIP (1005), CM05B104K10AH
U03AS MAIN (PE0630)	C3503	75009861	CAPACITOR, CERAMIC CHIP (1608), CM105B105K06AT
U03AS MAIN (PE0630)	C5201	75007603	CAPACITOR, CERAMIC CHIP(1005), CM05CH101J50AH
U03AS MAIN (PE0630)	C5202	75009867	CAPACITOR, CERAMIC CHIP (1005), CM05B104K10AH
U03AS MAIN (PE0630)	C5203	75007603	CAPACITOR, CERAMIC CHIP(1005), CM05CH101J50AH
U03AS MAIN (PE0630)	C5204	75007603	CAPACITOR, CERAMIC CHIP(1005), CM05CH101J50AH
U03AS MAIN (PE0630)	C5205	75007603	CAPACITOR, CERAMIC CHIP(1005), CM05CH101J50AH
U03AS MAIN (PE0630)	C6000	75009862	CAPACITOR, CERAMIC CHIP (3216), GRM31CB11A475K
U03AS MAIN (PE0630)	C6001	75009862	CAPACITOR, CERAMIC CHIP (3216), GRM31CB11A475K
U03AS MAIN (PE0630)	C6002	75007603	CAPACITOR, CERAMIC CHIP(1005), CM05CH101J50AH
U03AS MAIN (PE0630)	C6003	75007603	CAPACITOR, CERAMIC CHIP(1005), CM05CH101J50AH
U03AS MAIN (PE0630)	C6004	75007609	CAPACITOR, ELECTROLYTIC CHIP, EEEFK1E470P
U03AS MAIN (PE0630)	C6005	75006008	CAPACITOR, CERAMIC CHIP (2012), GRM21BB31C475K
U03AS MAIN (PE0630)	C6029	75009862	CAPACITOR, CERAMIC CHIP (3216), GRM31CB11A475K
U03AS MAIN (PE0630)	C6030	75009862	CAPACITOR, CERAMIC CHIP (3216), GRM31CB11A475K
U03AS MAIN (PE0630)	C6060	75007603	CAPACITOR, CERAMIC CHIP(1005), CM05CH101J50AH
U03AS MAIN (PE0630)	C6063	75007603	CAPACITOR, CERAMIC CHIP(1005), CM05CH101J50AH
U03AS MAIN (PE0630)	C6066	75007609	CAPACITOR, ELECTROLYTIC CHIP, EEEFK1E470P
U03AS MAIN (PE0630)	C6101	75005755	CAPACITOR, CERAMIC CHIP, GRM1552C1H390JZ01D

U03AS MAIN (PE0630)	C6102	75006010	CAPACITOR, CERAMIC CHIP (1608), GRM188B31E105K
U03AS MAIN (PE0630)	C6103	75009927	CAPACITOR, CERAMIC CHIP (1608), CM105B104K25AT
U03AS MAIN (PE0630)	C6104	75009927	CAPACITOR, CERAMIC CHIP (1608), CM105B104K25AT
U03AS MAIN (PE0630)	C6105	75009927	CAPACITOR, CERAMIC CHIP (1608), CM105B104K25AT
U03AS MAIN (PE0630)	C6106	75005709	CAPACITOR, CHIP CERA, 50V B 0.47UF K, GRM21BB31
U03AS MAIN (PE0630)	C6107	75009853	CAPACITOR, CERAMIC CHIP (1608), CM105W5R103K5C
U03AS MAIN (PE0630)	C6108	75009853	CAPACITOR, CERAMIC CHIP (1608), CM105W5R103K5C
U03AS MAIN (PE0630)	C6109	75009853	CAPACITOR, CERAMIC CHIP (1608), CM105W5R103K5C
U03AS MAIN (PE0630)	C6110	75005755	CAPACITOR, CERAMIC CHIP, GRM1552C1H390JZ01D
U03AS MAIN (PE0630)	C6111	75009927	CAPACITOR, CERAMIC CHIP (1608), CM105B104K25AT
U03AS MAIN (PE0630)	C6112	75009927	CAPACITOR, CERAMIC CHIP (1608), CM105B104K25AT
U03AS MAIN (PE0630)	C6113	75009927	CAPACITOR, CERAMIC CHIP (1608), CM105B104K25AT
U03AS MAIN (PE0630)	C6114	75009927	CAPACITOR, CERAMIC CHIP (1608), CM105B104K25AT
U03AS MAIN (PE0630)	C6115	75005709	CAPACITOR, CHIP CERA, 50V B 0.47UF K, GRM21BB31
U03AS MAIN (PE0630)	C6116	75009853	CAPACITOR, CERAMIC CHIP (1608), CM105W5R103K5C
U03AS MAIN (PE0630)	C6117	75009853	CAPACITOR, CERAMIC CHIP (1608), CM105W5R103K5C
U03AS MAIN (PE0630)	C6118	75009853	CAPACITOR, CERAMIC CHIP (1608), CM105W5R103K5C
U03AS MAIN (PE0630)	C6119	75006010	CAPACITOR, CERAMIC CHIP (1608), GRM188B31E105K
U03AS MAIN (PE0630)	C6120	75009927	CAPACITOR, CERAMIC CHIP (1608), CM105B104K25AT
U03AS MAIN (PE0630)	C6121	75009927	CAPACITOR, CERAMIC CHIP (1608), CM105B104K25AT
U03AS MAIN (PE0630)	C6122	75010772	CAPACITOR, CERAMIC CHIP (2012), CM21B106M06AT
U03AS MAIN (PE0630)	C6124	75008346	CAPACITOR, CERAMIC CHIP(1005), GRM155B31A334KI
U03AS MAIN (PE0630)	C6125	75008340	CAPACITOR, CERAMIC CHIP(1005), CM05W5R102K50A
U03AS MAIN (PE0630)	C6126	76073057	CAPACITOR, ELECTROLYTIC, 25V 1000UF M
U03AS MAIN (PE0630)	C6127	75010144	CAPACITOR, CERAMIC CHIP (1608), CM105CH470J50A
U03AS MAIN (PE0630)	C6128	75009868	CAPACITOR, CERAMIC CHIP (1608), CM105X5R225K06
U03AS MAIN (PE0630)	C6129	75009867	CAPACITOR, CERAMIC CHIP (1005), CM05B104K10AH
U03AS MAIN (PE0630)	C6130	75009927	CAPACITOR, CERAMIC CHIP (1608), CM105B104K25AT
U03AS MAIN (PE0630)	C6131	75002273	CAPACITOR, CERAMIC CHIP, 50V R 680PF K, CM05W5I
U03AS MAIN (PE0630)	C6132	75010714	CAPACITOR, CERAMIC CHIP (1005), GRM155B11H472K
U03AS MAIN (PE0630)	C6133	75009877	CAPACITOR, CERAMIC CHIP (1005), GRM155B11E103K
U03AS MAIN (PE0630)	C6134	75009878	CAPACITOR, CERAMIC CHIP (1608), GRM188B11A105K
U03AS MAIN (PE0630)	C6136	75006008	CAPACITOR, CERAMIC CHIP (2012), GRM21BB31C475K
U03AS MAIN (PE0630)	C6137	75009927	CAPACITOR, CERAMIC CHIP (1608), CM105B104K25AT
U03AS MAIN (PE0630)	C6138	75010144	CAPACITOR, CERAMIC CHIP (1608), CM105CH470J50A
U03AS MAIN (PE0630)	C6139	75006010	CAPACITOR, CERAMIC CHIP (1608), GRM188B31E105K
U03AS MAIN (PE0630)	C6140	75006010	CAPACITOR, CERAMIC CHIP (1608), GRM188B31E105K
U03AS MAIN (PE0630)	C6301	75010499	CAPACITOR, ELECTROLYTIC CHIP, 16V 471M 3D LIFE I
U03AS MAIN (PE0630)	C6303	75007612	CAPACITOR, ELECTROLYTIC CHIP, MVJ50VC1MD60E0
U03AS MAIN (PE0630)	C6401	75006008	CAPACITOR, CERAMIC CHIP (2012), GRM21BB31C475K
U03AS MAIN (PE0630)	C6402	75006008	CAPACITOR, CERAMIC CHIP (2012), GRM21BB31C475K
U03AS MAIN (PE0630)	C6403	75007605	CAPACITOR, CERAMIC CHIP(1005), CM05W5R222K50A
U03AS MAIN (PE0630)	C6404	75007605	CAPACITOR, CERAMIC CHIP(1005), CM05W5R222K50A
U03AS MAIN (PE0630)	C6405	75010709	CAPACITOR, CERAMIC CHIP (2012), CM21X5R105K16A
U03AS MAIN (PE0630)	C6406	75010709	CAPACITOR, CERAMIC CHIP (2012), CM21X5R105K16A
U03AS MAIN (PE0630)	C6407	75010771	CAPACITOR, ELECTROLYTIC CHIP, MVJ16VC47MF60EC
U03AS MAIN (PE0630)	C6408	75010771	CAPACITOR, ELECTROLYTIC CHIP, MVJ16VC47MF60EC

U03AS MAIN (PE0630)	C6409	75010771	CAPACITOR, ELECTROLYTIC CHIP, MVJ16VC47MF60EC
U03AS MAIN (PE0630)	C6410	75010771	CAPACITOR, ELECTROLYTIC CHIP, MVJ16VC47MF60EC
U03AS MAIN (PE0630)	C6411	75009872	CAPACITOR, ELECTROLYTIC CHIP, EEEHB1C100R
U03AS MAIN (PE0630)	C6412	75009853	CAPACITOR, CERAMIC CHIP (1608), CM105W5R103K50
U03AS MAIN (PE0630)	C6413	75010771	CAPACITOR, ELECTROLYTIC CHIP, MVJ16VC47MF60EC
U03AS MAIN (PE0630)	C6415	75005754	CAPACITOR, CERAMIC CHIP, GRM188B31A225KE33D
U03AS MAIN (PE0630)	C6416	75012085	CAPACITOR, CERAMIC CHIP(1608), CM105CH100D50A
U03AS MAIN (PE0630)	C7001	75009864	CAPACITOR, CERAMIC CHIP (1005), CM05Y5V104Z16A
U03AS MAIN (PE0630)	C7002	75009864	CAPACITOR, CERAMIC CHIP (1005), CM05Y5V104Z16A
U03AS MAIN (PE0630)	C7003	75009864	CAPACITOR, CERAMIC CHIP (1005), CM05Y5V104Z16A
U03AS MAIN (PE0630)	C7004	75009864	CAPACITOR, CERAMIC CHIP (1005), CM05Y5V104Z16A
U03AS MAIN (PE0630)	C7005	75009864	CAPACITOR, CERAMIC CHIP (1005), CM05Y5V104Z16A
U03AS MAIN (PE0630)	C7007	75009864	CAPACITOR, CERAMIC CHIP (1005), CM05Y5V104Z16A
U03AS MAIN (PE0630)	C7008	75009864	CAPACITOR, CERAMIC CHIP (1005), CM05Y5V104Z16A
U03AS MAIN (PE0630)	C7009	75009864	CAPACITOR, CERAMIC CHIP (1005), CM05Y5V104Z16A
U03AS MAIN (PE0630)	C7010	75009864	CAPACITOR, CERAMIC CHIP (1005), CM05Y5V104Z16A
U03AS MAIN (PE0630)	C7011	75009864	CAPACITOR, CERAMIC CHIP (1005), CM05Y5V104Z16A
U03AS MAIN (PE0630)	C7012	75009864	CAPACITOR, CERAMIC CHIP (1005), CM05Y5V104Z16A
U03AS MAIN (PE0630)	C7013	75009867	CAPACITOR, CERAMIC CHIP (1005), CM05B104K10AH
U03AS MAIN (PE0630)	C7014	75009867	CAPACITOR, CERAMIC CHIP (1005), CM05B104K10AH
U03AS MAIN (PE0630)	C7015	75009864	CAPACITOR, CERAMIC CHIP (1005), CM05Y5V104Z16A
U03AS MAIN (PE0630)	C7018	75009877	CAPACITOR, CERAMIC CHIP (1005), GRM155B11E103K
U03AS MAIN (PE0630)	C7019	75009925	CAPACITOR, CERAMIC CHIP (1608), CM105Y5V105Z10
U03AS MAIN (PE0630)	C7020	75009925	CAPACITOR, CERAMIC CHIP (1608), CM105Y5V105Z10
U03AS MAIN (PE0630)	C7021	75008673	CAPACITOR, CERAMIC CHIP(2012), CM21B474K25AT
U03AS MAIN (PE0630)	C7022	75009925	CAPACITOR, CERAMIC CHIP (1608), CM105Y5V105Z10
U03AS MAIN (PE0630)	C7024	75009864	CAPACITOR, CERAMIC CHIP (1005), CM05Y5V104Z16A
U03AS MAIN (PE0630)	C7027	75009925	CAPACITOR, CERAMIC CHIP (1608), CM105Y5V105Z10
U03AS MAIN (PE0630)	C7028	75009867	CAPACITOR, CERAMIC CHIP (1005), CM05B104K10AH
U03AS MAIN (PE0630)	C7081	75009867	CAPACITOR, CERAMIC CHIP (1005), CM05B104K10AH
U03AS MAIN (PE0630)	C8000	75009867	CAPACITOR, CERAMIC CHIP (1005), CM05B104K10AH
U03AS MAIN (PE0630)	C8001	75009867	CAPACITOR, CERAMIC CHIP (1005), CM05B104K10AH
U03AS MAIN (PE0630)	C8002	75010711	CAPACITOR, CERAMIC CHIP (1005), CM05W5R223K16A
U03AS MAIN (PE0630)	C8003	75009867	CAPACITOR, CERAMIC CHIP (1005), CM05B104K10AH
U03AS MAIN (PE0630)	C8004	75009867	CAPACITOR, CERAMIC CHIP (1005), CM05B104K10AH
U03AS MAIN (PE0630)	C8005	75010711	CAPACITOR, CERAMIC CHIP (1005), CM05W5R223K16A
U03AS MAIN (PE0630)	C8006	75009867	CAPACITOR, CERAMIC CHIP (1005), CM05B104K10AH
U03AS MAIN (PE0630)	C8008	75009869	CAPACITOR, CERAMIC CHIP (1005), CM05X5R105K06A
U03AS MAIN (PE0630)	C8009	75009869	CAPACITOR, CERAMIC CHIP (1005), CM05X5R105K06A
U03AS MAIN (PE0630)	C8010	75009869	CAPACITOR, CERAMIC CHIP (1005), CM05X5R105K06A
U03AS MAIN (PE0630)	C8011	75009867	CAPACITOR, CERAMIC CHIP (1005), CM05B104K10AH
U03AS MAIN (PE0630)	C8013	75009869	CAPACITOR, CERAMIC CHIP (1005), CM05X5R105K06A
U03AS MAIN (PE0630)	C8014	75009869	CAPACITOR, CERAMIC CHIP (1005), CM05X5R105K06A
U03AS MAIN (PE0630)	C8015	75009866	CAPACITOR, CERAMIC CHIP (1005), CM05W5R102K50A
U03AS MAIN (PE0630)	C8016	75009866	CAPACITOR, CERAMIC CHIP (1005), CM05W5R102K50A
U03AS MAIN (PE0630)	C8017	75009869	CAPACITOR, CERAMIC CHIP (1005), CM05X5R105K06A
U03AS MAIN (PE0630)	C8018	75009869	CAPACITOR, CERAMIC CHIP (1005), CM05X5R105K06A

U03AS MAIN (PE0630)	C8019	75009869	CAPACITOR, CERAMIC CHIP (1005), CM05X5R105K06A
U03AS MAIN (PE0630)	C8020	75009869	CAPACITOR, CERAMIC CHIP (1005), CM05X5R105K06A
U03AS MAIN (PE0630)	C8023	75009869	CAPACITOR, CERAMIC CHIP (1005), CM05X5R105K06A
U03AS MAIN (PE0630)	C8024	75010501	CAPACITOR, CERAMIC CHIP (1005), UMK105CH080DW
U03AS MAIN (PE0630)	C8025	75010501	CAPACITOR, CERAMIC CHIP (1005), UMK105CH080DW
U03AS MAIN (PE0630)	C8026	75009869	CAPACITOR, CERAMIC CHIP (1005), CM05X5R105K06A
U03AS MAIN (PE0630)	C8027	75009869	CAPACITOR, CERAMIC CHIP (1005), CM05X5R105K06A
U03AS MAIN (PE0630)	C8028	75009869	CAPACITOR, CERAMIC CHIP (1005), CM05X5R105K06A
U03AS MAIN (PE0630)	C8501	75009869	CAPACITOR, CERAMIC CHIP (1005), CM05X5R105K06A
U03AS MAIN (PE0630)	C8502	75009866	CAPACITOR, CERAMIC CHIP (1005), CM05W5R102K50/
U03AS MAIN (PE0630)	C8506	75009879	CAPACITOR, CERAMIC CHIP (1005), GRM1552C1H330J
U03AS MAIN (PE0630)	C8507	75009879	CAPACITOR, CERAMIC CHIP (1005), GRM1552C1H330J
U03AS MAIN (PE0630)	C8508	75009869	CAPACITOR, CERAMIC CHIP (1005), CM05X5R105K06A
U03AS MAIN (PE0630)	C8510	75006003	CAPACITOR, EMVE100ADA471MHA0G
U03AS MAIN (PE0630)	C8512	75007608	CAPACITOR, ELECTROLYTIC CHIP, MVJ50VC10MF60EC
U03AS MAIN (PE0630)	C8514	75012560	CAPACITOR, CERA CHIP, 10V JB 104K 1005 SIZE, C100
U03AS MAIN (PE0630)	C8515	75012560	CAPACITOR, CERA CHIP, 10V JB 104K 1005 SIZE, C100
U03AS MAIN (PE0630)	C8517	75009863	CAPACITOR, CERAMIC CHIP (1005), CM05W5R103K16/
U03AS MAIN (PE0630)	C8518	75009863	CAPACITOR, CERAMIC CHIP (1005), CM05W5R103K16/
U03AS MAIN (PE0630)	C8520	75007603	CAPACITOR, CERAMIC CHIP(1005), CM05CH101J50AH
U03AS MAIN (PE0630)	C8521	75007603	CAPACITOR, CERAMIC CHIP(1005), CM05CH101J50AH
U03AS MAIN (PE0630)	C9003	75009856	CAPACITOR, CERAMIC CHIP (1608), CM105W5R104K16/
U03AS MAIN (PE0630)	C9004	75009859	CAPACITOR, CERAMIC CHIP (1608), CM105CH102J50A
U03AS MAIN (PE0630)	C9005	75009856	CAPACITOR, CERAMIC CHIP (1608), CM105W5R104K16/
U03AS MAIN (PE0630)	C9202	75009867	CAPACITOR, CERAMIC CHIP (1005), CM05B104K10AH
U03AS MAIN (PE0630)	C9205	75009868	CAPACITOR, CERAMIC CHIP (1608), CM105X5R225K06
U03AS MAIN (PE0630)	C9207	75009239	CAPACITOR, CERAMIC CHIP(1608), CM105W5R222K50
U03AS MAIN (PE0630)	C9208	75009239	CAPACITOR, CERAMIC CHIP(1608), CM105W5R222K50
U03AS MAIN (PE0630)	C9211	75009239	CAPACITOR, CERAMIC CHIP(1608), CM105W5R222K50
U03AS MAIN (PE0630)	C9216	75009239	CAPACITOR, CERAMIC CHIP(1608), CM105W5R222K50
U03AS MAIN (PE0630)	C9224	75009239	CAPACITOR, CERAMIC CHIP(1608), CM105W5R222K50
U03AS MAIN (PE0630)	C9501	75009867	CAPACITOR, CERAMIC CHIP (1005), CM05B104K10AH
U03AS MAIN (PE0630)	C9503	75009878	CAPACITOR, CERAMIC CHIP (1608), GRM188B11A105K
U03AS MAIN (PE0630)	C9504	75009881	CAPACITOR, CERAMIC CHIP (2012), C2012JB1A106KT
U03AS MAIN (PE0630)	C9506	75009878	CAPACITOR, CERAMIC CHIP (1608), GRM188B11A105K
U03AS MAIN (PE0630)	C9507	75009867	CAPACITOR, CERAMIC CHIP (1005), CM05B104K10AH
U03AS MAIN (PE0630)	C9508	75009881	CAPACITOR, CERAMIC CHIP (2012), C2012JB1A106KT
U03AS MAIN (PE0630)	C9511	75007603	CAPACITOR, CERAMIC CHIP(1005), CM05CH101J50AH
U03AS MAIN (PE0630)	C9513	75009881	CAPACITOR, CERAMIC CHIP (2012), C2012JB1A106KT
U03AS MAIN (PE0630)	C9514	75006005	CAPACITOR, CERAMIC CHIP (1005), CM05X7R682K25A
U03AS MAIN (PE0630)	C9515	75009877	CAPACITOR, CERAMIC CHIP (1005), GRM155B11E103K
U03AS MAIN (PE0630)	C9516	75009877	CAPACITOR, CERAMIC CHIP (1005), GRM155B11E103K
U03AS MAIN (PE0630)	C9517	75012557	CAPACITOR, CERA CHIP, 50V JB 102K 1005 SIZE, C100
U03AS MAIN (PE0630)	C9518	75009874	CAPACITOR, CERAMIC CHIP (2012), GRM21BB30J226M
U03AS MAIN (PE0630)	C9519	75009874	CAPACITOR, CERAMIC CHIP (2012), GRM21BB30J226M
U03AS MAIN (PE0630)	C9534	75011120	CAPACITOR, CERAMIC CHIP (1005), CM05W5R272K50/
U03AS MAIN (PE0630)	C9535	75007603	CAPACITOR, CERAMIC CHIP(1005), CM05CH101J50AH



U03AS MAIN (PE0630)	C9538	75006005	CAPACITOR, CERAMIC CHIP (1005), CM05X7R682K25A
U03AS MAIN (PE0630)	C9539	75009874	CAPACITOR, CERAMIC CHIP (2012), GRM21BB30J226M
U03AS MAIN (PE0630)	C9540	75009874	CAPACITOR, CERAMIC CHIP (2012), GRM21BB30J226M
U03AS MAIN (PE0630)	C9541	75009877	CAPACITOR, CERAMIC CHIP (1005), GRM155B11E103K
U03AS MAIN (PE0630)	C9542	75009877	CAPACITOR, CERAMIC CHIP (1005), GRM155B11E103K
U03AS MAIN (PE0630)	C9543	75009881	CAPACITOR, CERAMIC CHIP (2012), C2012JB1A106KT
U03AS MAIN (PE0630)	C9544	75012557	CAPACITOR, CERA CHIP, 50V JB 102K 1005 SIZE, C100
U03AS MAIN (PE0630)	C9545	75009928	CAPACITOR, CERAMIC CHIP (1608), CM105B474K10AT
U03AS MAIN (PE0630)	C9546	75009867	CAPACITOR, CERAMIC CHIP (1005), CM05B104K10AH
U03AS MAIN (PE0630)	C9547	75009867	CAPACITOR, CERAMIC CHIP (1005), CM05B104K10AH
U03AS MAIN (PE0630)	C9548	75009867	CAPACITOR, CERAMIC CHIP (1005), CM05B104K10AH
U03AS MAIN (PE0630)	C9549	75009867	CAPACITOR, CERAMIC CHIP (1005), CM05B104K10AH
U03AS MAIN (PE0630)	C9550	75009867	CAPACITOR, CERAMIC CHIP (1005), CM05B104K10AH
U03AS MAIN (PE0630)	C9551	75010503	CAPACITOR, CERAMIC CHIP (1005), GRM1552C1H471J
U03AS MAIN (PE0630)	C9552	75008346	CAPACITOR, CERAMIC CHIP(1005), GRM155B31A334KI
U03AS MAIN (PE0630)	C9553	75009881	CAPACITOR, CERAMIC CHIP (2012), C2012JB1A106KT
U03AS MAIN (PE0630)	C9554	75009881	CAPACITOR, CERAMIC CHIP (2012), C2012JB1A106KT
U03AS MAIN (PE0630)	C9555	75009881	CAPACITOR, CERAMIC CHIP (2012), C2012JB1A106KT
U03AS MAIN (PE0630)	C9556	75009881	CAPACITOR, CERAMIC CHIP (2012), C2012JB1A106KT
U03AS MAIN (PE0630)	C9557	75010503	CAPACITOR, CERAMIC CHIP (1005), GRM1552C1H471J
U03AS MAIN (PE0630)	C9558	75008346	CAPACITOR, CERAMIC CHIP(1005), GRM155B31A334KI
U03AS MAIN (PE0630)	C9559	75009876	CAPACITOR, CERAMIC CHIP (1608), GRM188B31C105K
U03AS MAIN (PE0630)	C9560	75009239	CAPACITOR, CERAMIC CHIP(1608), CM105W5R222K50
U03AS MAIN (PE0630)	C9561	75009867	CAPACITOR, CERAMIC CHIP (1005), CM05B104K10AH
U03AS MAIN (PE0630)	C9562	75009867	CAPACITOR, CERAMIC CHIP (1005), CM05B104K10AH
U03AS MAIN (PE0630)	C9563	75009867	CAPACITOR, CERAMIC CHIP (1005), CM05B104K10AH
U03AS MAIN (PE0630)	C9564	75009867	CAPACITOR, CERAMIC CHIP (1005), CM05B104K10AH
U03AS MAIN (PE0630)	C9565	75009867	CAPACITOR, CERAMIC CHIP (1005), CM05B104K10AH
U03AS MAIN (PE0630)	C9566	75009932	CAPACITOR, CARAMIC CHIP (1005), CM05W5R561K50
U03AS MAIN (PE0630)	C9601	75009882	CAPACITOR, CERAMIC CHIP (3216), C3216JB1C106KT
U03AS MAIN (PE0630)	C9602	75009882	CAPACITOR, CERAMIC CHIP (3216), C3216JB1C106KT
U03AS MAIN (PE0630)	C9603	75009853	CAPACITOR, CERAMIC CHIP (1608), CM105W5R103K50
U03AS MAIN (PE0630)	C9604	75009881	CAPACITOR, CERAMIC CHIP (2012), C2012JB1A106KT
U03AS MAIN (PE0630)	C9605	75009881	CAPACITOR, CERAMIC CHIP (2012), C2012JB1A106KT
U03AS MAIN (PE0630)	C9606	75009881	CAPACITOR, CERAMIC CHIP (2012), C2012JB1A106KT
U03AS MAIN (PE0630)	C9607	75009881	CAPACITOR, CERAMIC CHIP (2012), C2012JB1A106KT
U03AS MAIN (PE0630)	C9609	75009867	CAPACITOR, CERAMIC CHIP (1005), CM05B104K10AH
U03AS MAIN (PE0630)	C9611	75009873	CAPACITOR, CERAMIC CHIP (1608), GRM188B31A225K
U03AS MAIN (PE0630)	C9612	75009867	CAPACITOR, CERAMIC CHIP (1005), CM05B104K10AH
U03AS MAIN (PE0630)	C9613	75009929	CAPACITOR, CERAMIC CHIP (2012), C2012JF1H105ZT
U03AS MAIN (PE0630)	C9614	75009929	CAPACITOR, CERAMIC CHIP (2012), C2012JF1H105ZT
U03AS MAIN (PE0630)	C9618	75010714	CAPACITOR, CERAMIC CHIP (1005), GRM155B11H472K
U03AS MAIN (PE0630)	C9620	75009856	CAPACITOR, CERAMIC CHIP (1608), CM105W5R104K16
U03AS MAIN (PE0630)	C9621	75009876	CAPACITOR, CERAMIC CHIP (1608), GRM188B31C105K
U03AS MAIN (PE0630)	C9622	75009876	CAPACITOR, CERAMIC CHIP (1608), GRM188B31C105K
U03AS MAIN (PE0630)	C9649	75009875	CAPACITOR, CERAMIC CHIP (1608), GRM188B31H104K
U03AS MAIN (PE0630)	C9650	75009869	CAPACITOR, CERAMIC CHIP (1005), CM05X5R105K06A

U03AS MAIN (PE0630)	C9651	75009863	CAPACITOR, CERAMIC CHIP (1005), CM05W5R103K16/
U03AS MAIN (PE0630)	D1100	75010721	DIODE, ZENER, 02CZ6.2-Y(TE85R, F)
U03AS MAIN (PE0630)	D1101	75010721	DIODE, ZENER, 02CZ6.2-Y(TE85R, F)
U03AS MAIN (PE0630)	D1301	75010608	DIODE, 1SS388(TPH3, F)
U03AS MAIN (PE0630)	D1302	75010608	DIODE, 1SS388(TPH3, F)
U03AS MAIN (PE0630)	D1303	75010153	DIODE, ZENER, UdzSTE-176.2B
U03AS MAIN (PE0630)	D1304	75010153	DIODE, ZENER, UdzSTE-176.2B
U03AS MAIN (PE0630)	D1701	75010721	DIODE, ZENER, 02CZ6.2-Y(TE85R, F)
U03AS MAIN (PE0630)	D2105	75009899	DIODE, MA112-(TX)
U03AS MAIN (PE0630)	D2106	75009899	DIODE, MA112-(TX)
U03AS MAIN (PE0630)	D2201	75009899	DIODE, MA112-(TX)
U03AS MAIN (PE0630)	D2202	75009899	DIODE, MA112-(TX)
U03AS MAIN (PE0630)	D2800	75009899	DIODE, MA112-(TX)
U03AS MAIN (PE0630)	D6000	75011229	DIODE, ZENER, MAZS05100L
U03AS MAIN (PE0630)	D6002	75011229	DIODE, ZENER, MAZS05100L
U03AS MAIN (PE0630)	D6102	75012089	DIODE, MA2J11100L
U03AS MAIN (PE0630)	D6103	75012089	DIODE, MA2J11100L
U03AS MAIN (PE0630)	D6104	75012089	DIODE, MA2J11100L
U03AS MAIN (PE0630)	D6105	75012089	DIODE, MA2J11100L
U03AS MAIN (PE0630)	D6106	75012089	DIODE, MA2J11100L
U03AS MAIN (PE0630)	D6107	75012089	DIODE, MA2J11100L
U03AS MAIN (PE0630)	D6110	23357790	DIODE, ZENER, MA8220-M
U03AS MAIN (PE0630)	D6111	75012089	DIODE, MA2J11100L
U03AS MAIN (PE0630)	D6112	75012089	DIODE, MA2J11100L
U03AS MAIN (PE0630)	D6301	75009899	DIODE, MA112-(TX)
U03AS MAIN (PE0630)	D6302	75009899	DIODE, MA112-(TX)
U03AS MAIN (PE0630)	D6303	75009899	DIODE, MA112-(TX)
U03AS MAIN (PE0630)	D6304	75009899	DIODE, MA112-(TX)
U03AS MAIN (PE0630)	D6401	75012089	DIODE, MA2J11100L
U03AS MAIN (PE0630)	D6402	75012089	DIODE, MA2J11100L
U03AS MAIN (PE0630)	D6403	75012089	DIODE, MA2J11100L
U03AS MAIN (PE0630)	D6404	75012089	DIODE, MA2J11100L
U03AS MAIN (PE0630)	D9501	75009899	DIODE, MA112-(TX)
U03AS MAIN (PE0630)	D9502	75009899	DIODE, MA112-(TX)
U03AS MAIN (PE0630)	D9503	75009328	DIODE, RB055L-40
U03AS MAIN (PE0630)	D9505	75009900	DIODE, RB070M-30TFTR
U03AS MAIN (PE0630)	D9506	75009900	DIODE, RB070M-30TFTR
U03AS MAIN (PE0630)	D9508	75009899	DIODE, MA112-(TX)
U03AS MAIN (PE0630)	D9509	75009899	DIODE, MA112-(TX)
U03AS MAIN (PE0630)	D9601	75009328	DIODE, RB055L-40
U03AS MAIN (PE0630)	D9611	75010888	DIODE, RB160VA-40TR
U03AS MAIN (PE0630)	D9633	75008353	DIODE, 1SS352(TPH3, F)
U03AS MAIN (PE0630)	FL100	75003411	CHIP BEAD INDUCTOR, 220OHM 1.5A, FB MH1608HM2
U03AS MAIN (PE0630)	FL150	75003115	CHIP BEAD INDUCTOR, 220OHM 2.0A, BKP2125 HS221
U03AS MAIN (PE0630)	FL151	75003112	CHIP BEAD INDUCTOR, 1.0KOHM 0.3A, BK1608 HS102
U03AS MAIN (PE0630)	FL152	75003112	CHIP BEAD INDUCTOR, 1.0KOHM 0.3A, BK1608 HS102
U03AS MAIN (PE0630)	FL153	75003114	CHIP BEAD INDUCTOR, 120OHMX4 0.2A, BK3216 4S12

U03AS MAIN (PE0630)	FL154	75003113	CHIP BEAD INDUCTOR, 120OHM 0.5A, BK1608 HS121-
U03AS MAIN (PE0630)	FL219	75010773	FILTER, SMD COMMON MODE, ACM2012-201-2P-T
U03AS MAIN (PE0630)	FL220	75010773	FILTER, SMD COMMON MODE, ACM2012-201-2P-T
U03AS MAIN (PE0630)	FL521	75003112	CHIP BEAD INDUCTOR, 1.0KOHM 0.3A, BK1608 HS102
U03AS MAIN (PE0630)	FL522	75003112	CHIP BEAD INDUCTOR, 1.0KOHM 0.3A, BK1608 HS102
U03AS MAIN (PE0630)	FL523	75003112	CHIP BEAD INDUCTOR, 1.0KOHM 0.3A, BK1608 HS102
U03AS MAIN (PE0630)	FL524	75003112	CHIP BEAD INDUCTOR, 1.0KOHM 0.3A, BK1608 HS102
U03AS MAIN (PE0630)	FL525	75003112	CHIP BEAD INDUCTOR, 1.0KOHM 0.3A, BK1608 HS102
U03AS MAIN (PE0630)	FL526	75003114	CHIP BEAD INDUCTOR, 120OHMX4 0.2A, BK3216 4S12
U03AS MAIN (PE0630)	FL702	75003410	CHIP BEAD INDUCTOR, 330HM 4.0A, BKP2125 HS330-
U03AS MAIN (PE0630)	FL800	75003115	CHIP BEAD INDUCTOR, 220OHM 2.0A, BKP2125 HS221
U03AS MAIN (PE0630)	FL801	75003115	CHIP BEAD INDUCTOR, 220OHM 2.0A, BKP2125 HS221
U03AS MAIN (PE0630)	FL851	75010717	FERRITE BEADS, CHIP, 700OHM 0.5A, BLM18EG601SN
U03AS MAIN (PE0630)	FL852	75009837	JUMPER, CHIP 1608TYPE, CR1/16 000V PB(F)
U03AS MAIN (PE0630)	FL853	75009837	JUMPER, CHIP 1608TYPE, CR1/16 000V PB(F)
U03AS MAIN (PE0630)	FL854	75009837	JUMPER, CHIP 1608TYPE, CR1/16 000V PB(F)
U03AS MAIN (PE0630)	FL900	75012564	FILTER, COMMON MODE, TCM2010L-131-4P-T000
U03AS MAIN (PE0630)	FL901	75012564	FILTER, COMMON MODE, TCM2010L-131-4P-T000
U03AS MAIN (PE0630)	FL902	75012564	FILTER, COMMON MODE, TCM2010L-131-4P-T000
U03AS MAIN (PE0630)	FL950	75003115	CHIP BEAD INDUCTOR, 220OHM 2.0A, BKP2125 HS221
U03AS MAIN (PE0630)	FL951	75003115	CHIP BEAD INDUCTOR, 220OHM 2.0A, BKP2125 HS221
U03AS MAIN (PE0630)	FL952	75003115	CHIP BEAD INDUCTOR, 220OHM 2.0A, BKP2125 HS221
U03AS MAIN (PE0630)	FL953	75003115	CHIP BEAD INDUCTOR, 220OHM 2.0A, BKP2125 HS221
U03AS MAIN (PE0630)	FL954	75003115	CHIP BEAD INDUCTOR, 220OHM 2.0A, BKP2125 HS221
U03AS MAIN (PE0630)	FL955	75003115	CHIP BEAD INDUCTOR, 220OHM 2.0A, BKP2125 HS221
U03AS MAIN (PE0630)	FL956	75003117	CHIP BEAD INDUCTOR, 180OHM 1.5A, BKP1608 HS181
U03AS MAIN (PE0630)	FL957	75003115	CHIP BEAD INDUCTOR, 220OHM 2.0A, BKP2125 HS221
U03AS MAIN (PE0630)	FL958	75003115	CHIP BEAD INDUCTOR, 220OHM 2.0A, BKP2125 HS221
U03AS MAIN (PE0630)	FL959	75003115	CHIP BEAD INDUCTOR, 220OHM 2.0A, BKP2125 HS221
U03AS MAIN (PE0630)	FL960	75003115	CHIP BEAD INDUCTOR, 220OHM 2.0A, BKP2125 HS221
U03AS MAIN (PE0630)	FL961	75003115	CHIP BEAD INDUCTOR, 220OHM 2.0A, BKP2125 HS221
U03AS MAIN (PE0630)	FL962	75009852	CAPACITOR CERAMIC CHIP, 25V 104S
U03AS MAIN (PE0630)	FL963	75003115	CHIP BEAD INDUCTOR, 220OHM 2.0A, BKP2125 HS221
U03AS MAIN (PE0630)	FL964	75003115	CHIP BEAD INDUCTOR, 220OHM 2.0A, BKP2125 HS221
U03AS MAIN (PE0630)	FL965	75003115	CHIP BEAD INDUCTOR, 220OHM 2.0A, BKP2125 HS221
U03AS MAIN (PE0630)	FL966	75009240	CAPACITOR, THREE TERMINAL CHIP, CKD510JB1A105
U03AS MAIN (PE0630)	FL967	75009837	JUMPER, CHIP 1608TYPE, CR1/16 000V PB(F)
U03AS MAIN (PE0630)	FL968	75009837	JUMPER, CHIP 1608TYPE, CR1/16 000V PB(F)
U03AS MAIN (PE0630)	FL969	75009837	JUMPER, CHIP 1608TYPE, CR1/16 000V PB(F)
U03AS MAIN (PE0630)	FL970	75003115	CHIP BEAD INDUCTOR, 220OHM 2.0A, BKP2125 HS221
U03AS MAIN (PE0630)	FL971	75003115	CHIP BEAD INDUCTOR, 220OHM 2.0A, BKP2125 HS221
U03AS MAIN (PE0630)	FL974	75009943	INDUCTOR, CHIP BEADS (1608), MPZ1608S221AT
U03AS MAIN (PE0630)	FL975	75009240	CAPACITOR, THREE TERMINAL CHIP, CKD510JB1A105
U03AS MAIN (PE0630)	FL976	75009943	INDUCTOR, CHIP BEADS (1608), MPZ1608S221AT
U03AS MAIN (PE0630)	FL977	75009240	CAPACITOR, THREE TERMINAL CHIP, CKD510JB1A105
U03AS MAIN (PE0630)	FL978	75008351	INDUCTOR, CHIP BEADS(1608), MPZ1608S300AT
U03AS MAIN (PE0630)	FL980	75010306	BEADS INDUCTOR, CHIP (2012), MPZ2012S221AT

U03AS MAIN (PE0630)	FL981	75010306	BEADS INDUCTOR, CHIP (2012), MPZ2012S221AT
U03AS MAIN (PE0630)	IC100	75012569	IC, TM2338AL-LF
U03AS MAIN (PE0630)	IC150	75010726	IC, AT25DF321-SU
U03AS MAIN (PE0630)	IC151	75010726	IC, AT25DF321-SU
U03AS MAIN (PE0630)	IC152	75009046	IC, AT24C64CN-SH-T
U03AS MAIN (PE0630)	IC153	75012570	IC, PST3528NR
U03AS MAIN (PE0630)	IC160	75008355	IC, HY5DU561622ETP-4-C
U03AS MAIN (PE0630)	IC170	75012623	IC, M62320FP#DF5G
U03AS MAIN (PE0630)	IC171	75012623	IC, M62320FP#DF5G
U03AS MAIN (PE0630)	IC172	75012623	IC, M62320FP#DF5G
U03AS MAIN (PE0630)	IC200	75012567	IC, TC74HC4052A
U03AS MAIN (PE0630)	IC271	23085823	IC, MM1508XNRE
U03AS MAIN (PE0630)	IC272	23085823	IC, MM1508XNRE
U03AS MAIN (PE0630)	IC330	75008004	IC, CXB1444R-T6
U03AS MAIN (PE0630)	IC340	75011915	IC, M24C02-WMN6TP
U03AS MAIN (PE0630)	IC341	75012568	IC, TC7WBL125AFK(T5L, F
U03AS MAIN (PE0630)	IC350	75009903	IC, TC7SET08FU(TE85L, F
U03AS MAIN (PE0630)	IC351	75009903	IC, TC7SET08FU(TE85L, F
U03AS MAIN (PE0630)	IC387	75012571	IC, CAT24C08WI-GT3-H-RECV
U03AS MAIN (PE0630)	IC388	75008003	IC, TC7WB66FK(TE85L, F)
U03AS MAIN (PE0630)	IC602	75006542	IC, PQ033DNA1ZPH
U03AS MAIN (PE0630)	IC603	75009451	IC, STA333W13TR
U03AS MAIN (PE0630)	IC604	75010891	IC, TC7WBD125AFK(T5L, F
U03AS MAIN (PE0630)	IC610	75009908	IC, OP AMP, RC4580IPWR
U03AS MAIN (PE0630)	IC611	75009908	IC, OP AMP, RC4580IPWR
U03AS MAIN (PE0630)	IC641	75004445	IC, BH3544F-E2
U03AS MAIN (PE0630)	IC701	75012565	IC, TC74VHC244FK(EL, K)
U03AS MAIN (PE0630)	IC702	75012565	IC, TC74VHC244FK(EL, K)
U03AS MAIN (PE0630)	IC703	75012566	IC, TC74VHCT244AFK(E, K
U03AS MAIN (PE0630)	IC705	75012566	IC, TC74VHCT244AFK(E, K
U03AS MAIN (PE0630)	IC707	75012566	IC, TC74VHCT244AFK(E, K
U03AS MAIN (PE0630)	IC708	75012565	IC, TC74VHC244FK(EL, K)
U03AS MAIN (PE0630)	IC709	75012566	IC, TC74VHCT244AFK(E, K
U03AS MAIN (PE0630)	IC710	75012566	IC, TC74VHCT244AFK(E, K
U03AS MAIN (PE0630)	IC711	75001217	IC, TC7SH04FU
U03AS MAIN (PE0630)	IC712	75009954	IC, GATE, TC7W32FU(TE12L, F)
U03AS MAIN (PE0630)	IC713	75012566	IC, TC74VHCT244AFK(E, K
U03AS MAIN (PE0630)	IC714	75012565	IC, TC74VHC244FK(EL, K)
U03AS MAIN (PE0630)	IC716	75008688	IC, AAT4610AIGV-T1
U03AS MAIN (PE0630)	IC717	75009953	IC, GATE, TC7SH08FU(TE85L, F)
U03AS MAIN (PE0630)	IC781	75009953	IC, GATE, TC7SH08FU(TE85L, F)
U03AS MAIN (PE0630)	IC802	75011456	IC, DRX3975D-QI-B1
U03AS MAIN (PE0630)	IC921	75009902	IC, TC7SH86FU(TE85L, F)
U03AS MAIN (PE0630)	IC950	75010728	IC, PQ033ENA1ZPH
U03AS MAIN (PE0630)	IC951	75010728	IC, PQ033ENA1ZPH
U03AS MAIN (PE0630)	IC952	75010732	IC, MP2108DK-LF-Z
U03AS MAIN (PE0630)	IC953	75010732	IC, MP2108DK-LF-Z

U03AS MAIN (PE0630)	IC954	75010520	IC, MM1662GHBE
U03AS MAIN (PE0630)	IC955	75002293	IC, MM1661JHBE
U03AS MAIN (PE0630)	IC957	75002320	IC, TC7SH32FU(TE85L, F)
U03AS MAIN (PE0630)	IC960	75010898	IC, MP2367DNE-LF-Z
U03AS MAIN (PE0630)	IC961	75004806	IC, PQ6CU12X2APQ
U03AS MAIN (PE0630)	IC962	75005774	IC, R1154N090B-TR-F
U03AS MAIN (PE0630)	L1501	75003410	CHIP BEAD INDUCTOR, 33OHM 4.0A, BKP2125 HS330-
U03AS MAIN (PE0630)	L1502	75003410	CHIP BEAD INDUCTOR, 33OHM 4.0A, BKP2125 HS330-
U03AS MAIN (PE0630)	L2101	75009887	INDUCTOR, BEADS CHIP, BLM11A121SPT
U03AS MAIN (PE0630)	L2102	75009887	INDUCTOR, BEADS CHIP, BLM11A121SPT
U03AS MAIN (PE0630)	L2201	75009887	INDUCTOR, BEADS CHIP, BLM11A121SPT
U03AS MAIN (PE0630)	L2202	75009887	INDUCTOR, BEADS CHIP, BLM11A121SPT
U03AS MAIN (PE0630)	L2701	23103314	COIL, FILTER, TEM2028AH
U03AS MAIN (PE0630)	L2706	23246651	COIL, CHIP, TRF4100CG
U03AS MAIN (PE0630)	L6101	75008364	COIL, CHOKE, 22MMH M 1.7A, SLF7055T-220M1R7-3PI
U03AS MAIN (PE0630)	L6102	75008364	COIL, CHOKE, 22MMH M 1.7A, SLF7055T-220M1R7-3PI
U03AS MAIN (PE0630)	L6103	75008364	COIL, CHOKE, 22MMH M 1.7A, SLF7055T-220M1R7-3PI
U03AS MAIN (PE0630)	L6104	75008364	COIL, CHOKE, 22MMH M 1.7A, SLF7055T-220M1R7-3PI
U03AS MAIN (PE0630)	L6105	75008351	INDUCTOR, CHIP BEADS(1608), MPZ1608S300AT
U03AS MAIN (PE0630)	L6106	75010718	BEADS INDUCTOR, CHIP, BLM11A102SPT
U03AS MAIN (PE0630)	L6108	75010306	BEADS INDUCTOR, CHIP (2012), MPZ2012S221AT
U03AS MAIN (PE0630)	L8501	23248385	COIL, CHOKE, TLN3278AA
U03AS MAIN (PE0630)	L9016	75003410	CHIP BEAD INDUCTOR, 33OHM 4.0A, BKP2125 HS330-
U03AS MAIN (PE0630)	L9020	75003410	CHIP BEAD INDUCTOR, 33OHM 4.0A, BKP2125 HS330-
U03AS MAIN (PE0630)	L9021	75003411	CHIP BEAD INDUCTOR, 220OHM 1.5A, FB MH1608HM2
U03AS MAIN (PE0630)	L9022	75003411	CHIP BEAD INDUCTOR, 220OHM 1.5A, FB MH1608HM2
U03AS MAIN (PE0630)	L9023	75003411	CHIP BEAD INDUCTOR, 220OHM 1.5A, FB MH1608HM2
U03AS MAIN (PE0630)	L9026	75003411	CHIP BEAD INDUCTOR, 220OHM 1.5A, FB MH1608HM2
U03AS MAIN (PE0630)	L9027	75003411	CHIP BEAD INDUCTOR, 220OHM 1.5A, FB MH1608HM2
U03AS MAIN (PE0630)	L9028	75003411	CHIP BEAD INDUCTOR, 220OHM 1.5A, FB MH1608HM2
U03AS MAIN (PE0630)	L9029	75003410	CHIP BEAD INDUCTOR, 33OHM 4.0A, BKP2125 HS330-
U03AS MAIN (PE0630)	L9501	75009884	INDUCTOR, CHIP, SLF7032T-4R7M1R7-2PF
U03AS MAIN (PE0630)	L9502	75009884	INDUCTOR, CHIP, SLF7032T-4R7M1R7-2PF
U03AS MAIN (PE0630)	L9601	75010980	COIL, CHOKE, 15MMH 3.1A, SLF10165T-150M3R13PF
U03AS MAIN (PE0630)	L9612	75010869	INDUCTOR, CHIP (3225), NLCV32T-680K-PF
U03AS MAIN (PE0630)	L9613	75010870	INDUCTOR, CHIP (3225), NLCV32T-2R2M-PF
U03AS MAIN (PE0630)	NB001	23961276	SOLDER CREAM
U03AS MAIN (PE0630)	NB002	23961260	ER M708E-3.0
U03AS MAIN (PE0630)	NB003	23961257	R M708E 400G
U03AS MAIN (PE0630)	NB004	23961293	S-1061SP-2 C
U03AS MAIN (PE0630)	NB005	23961265	M705ESC 1.0
U03AS MAIN (PE0630)	NB006	23961267	M705ESC 1.6
U03AS MAIN (PE0630)	NB007	23962411	AD EP 3609
U03AS MAIN (PE0630)	NB008	23964124	SOL #4520 UN
U03AS MAIN (PE0630)	P150A	75010719	CONNECTOR, 87BFN-030S-1F
U03AS MAIN (PE0630)	P322A	75010374	CONNECTOR, BM31B-SHLVS-G-TBT(LF)(SN)
U03AS MAIN (PE0630)	P521A	75010879	CONNECTOR, B12B-PH-K-S(LF)(SN)

U03AS MAIN (PE0630)	P601	75002147	CONNECTOR, B4B-EH(LF)
U03AS MAIN (PE0630)	P6061	23365444	EARPHONE JACK, D3.5
U03AS MAIN (PE0630)	P810B	75007618	CONNECTOR, 2.0MM PITCH NYLON, B9B-PH-K-S(LF)(S
U03AS MAIN (PE0630)	P811B	75008267	CONNECTOR, W-B 2.0MM 14P VERTICAL, B14B-PH-K-S
U03AS MAIN (PE0630)	P920A	75009892	CONNECTOR, 2MM PITCH W TO B, B7B-PH-K-S(LF)
U03AS MAIN (PE0630)	PB03A	V28A000822A1	PC BOARD 32AV555D_MAIN_PE0630
U03AS MAIN (PE0630)	PJ700	75012538	SOCKET, PCMCIA, TV51EE20090
U03AS MAIN (PE0630)	PV201	75001989	CONNECTOR, MULTI 21P, CSS5021-9C01F
U03AS MAIN (PE0630)	PV202	75001989	CONNECTOR, MULTI 21P, CSS5021-9C01F
U03AS MAIN (PE0630)	PV240	75001872	PIN JACK, 10/10P ST
U03AS MAIN (PE0630)	PV320	75011085	CONNECTOR, CSS5019-4K31F
U03AS MAIN (PE0630)	PV321	75011085	CONNECTOR, CSS5019-4K31F
U03AS MAIN (PE0630)	Q1001	75009815	TRANSISTOR, 2SC4116-Y(TE85L, F)
U03AS MAIN (PE0630)	Q1002	75009897	TRANSISTOR, 2SA1586-Y(TE85L, F)
U03AS MAIN (PE0630)	Q1301	75001961	TRANSISTOR, FET, 2SK2035(TE85L, F)
U03AS MAIN (PE0630)	Q1302	75001961	TRANSISTOR, FET, 2SK2035(TE85L, F)
U03AS MAIN (PE0630)	Q1501	75009815	TRANSISTOR, 2SC4116-Y(TE85L, F)
U03AS MAIN (PE0630)	Q1502	75009815	TRANSISTOR, 2SC4116-Y(TE85L, F)
U03AS MAIN (PE0630)	Q1503	75009815	TRANSISTOR, 2SC4116-Y(TE85L, F)
U03AS MAIN (PE0630)	Q1701	75009815	TRANSISTOR, 2SC4116-Y(TE85L, F)
U03AS MAIN (PE0630)	Q1702	75009815	TRANSISTOR, 2SC4116-Y(TE85L, F)
U03AS MAIN (PE0630)	Q1703	75009815	TRANSISTOR, 2SC4116-Y(TE85L, F)
U03AS MAIN (PE0630)	Q1704	75009815	TRANSISTOR, 2SC4116-Y(TE85L, F)
U03AS MAIN (PE0630)	Q2105	75007621	TRANSISTOR, 2SC3326-B(TE85R, F)
U03AS MAIN (PE0630)	Q2106	75007621	TRANSISTOR, 2SC3326-B(TE85R, F)
U03AS MAIN (PE0630)	Q2107	75007621	TRANSISTOR, 2SC3326-B(TE85R, F)
U03AS MAIN (PE0630)	Q2108	75007621	TRANSISTOR, 2SC3326-B(TE85R, F)
U03AS MAIN (PE0630)	Q2109	75006019	TRANSISTOR, RN2404(TE85L, F)
U03AS MAIN (PE0630)	Q2201	75007621	TRANSISTOR, 2SC3326-B(TE85R, F)
U03AS MAIN (PE0630)	Q2202	75007621	TRANSISTOR, 2SC3326-B(TE85R, F)
U03AS MAIN (PE0630)	Q2203	75007621	TRANSISTOR, 2SC3326-B(TE85R, F)
U03AS MAIN (PE0630)	Q2204	75007621	TRANSISTOR, 2SC3326-B(TE85R, F)
U03AS MAIN (PE0630)	Q2205	75006019	TRANSISTOR, RN2404(TE85L, F)
U03AS MAIN (PE0630)	Q2206	75002029	TRANSISTOR, 2SC4081
U03AS MAIN (PE0630)	Q2701	75007619	TRANSISTOR, 2SA1162-Y(TE85R, F)
U03AS MAIN (PE0630)	Q2702	75009895	TRANSISTOR, RN1404(TE85L, F)
U03AS MAIN (PE0630)	Q2703	75009895	TRANSISTOR, RN1404(TE85L, F)
U03AS MAIN (PE0630)	Q2711	75007619	TRANSISTOR, 2SA1162-Y(TE85R, F)
U03AS MAIN (PE0630)	Q2712	75009895	TRANSISTOR, RN1404(TE85L, F)
U03AS MAIN (PE0630)	Q2713	75009895	TRANSISTOR, RN1404(TE85L, F)
U03AS MAIN (PE0630)	Q2803	75009897	TRANSISTOR, 2SA1586-Y(TE85L, F)
U03AS MAIN (PE0630)	Q2804	75009897	TRANSISTOR, 2SA1586-Y(TE85L, F)
U03AS MAIN (PE0630)	Q2805	75009815	TRANSISTOR, 2SC4116-Y(TE85L, F)
U03AS MAIN (PE0630)	Q2806	75009815	TRANSISTOR, 2SC4116-Y(TE85L, F)
U03AS MAIN (PE0630)	Q6000	75009815	TRANSISTOR, 2SC4116-Y(TE85L, F)
U03AS MAIN (PE0630)	Q6101	75009815	TRANSISTOR, 2SC4116-Y(TE85L, F)
U03AS MAIN (PE0630)	Q6301	75002029	TRANSISTOR, 2SC4081

U03AS MAIN (PE0630)	Q6302	75002029	TRANSISTOR, 2SC4081
U03AS MAIN (PE0630)	Q6303	75002029	TRANSISTOR, 2SC4081
U03AS MAIN (PE0630)	Q6304	75006019	TRANSISTOR, RN2404(TE85L, F)
U03AS MAIN (PE0630)	Q6305	75006019	TRANSISTOR, RN2404(TE85L, F)
U03AS MAIN (PE0630)	Q6306	75007619	TRANSISTOR, 2SA1162-Y(TE85R, F)
U03AS MAIN (PE0630)	Q6401	75009815	TRANSISTOR, 2SC4116-Y(TE85L, F)
U03AS MAIN (PE0630)	Q8501	75009815	TRANSISTOR, 2SC4116-Y(TE85L, F)
U03AS MAIN (PE0630)	Q8502	75009815	TRANSISTOR, 2SC4116-Y(TE85L, F)
U03AS MAIN (PE0630)	Q8503	75009815	TRANSISTOR, 2SC4116-Y(TE85L, F)
U03AS MAIN (PE0630)	Q9500	75009815	TRANSISTOR, 2SC4116-Y(TE85L, F)
U03AS MAIN (PE0630)	Q9501	75009946	TRANSISTOR, FET, FDC602P_NF40
U03AS MAIN (PE0630)	Q9601	75001962	TRANSISTOR, DTC144EUAT106
U03AS MAIN (PE0630)	Q9602	75002029	TRANSISTOR, 2SC4081
U03AS MAIN (PE0630)	Q9621	75010885	TRANSISTOR, RN2403(TE85L, F)
U03AS MAIN (PE0630)	Q9622	75009895	TRANSISTOR, RN1404(TE85L, F)
U03AS MAIN (PE0630)	Q9623	75009815	TRANSISTOR, 2SC4116-Y(TE85L, F)
U03AS MAIN (PE0630)	Q9624	23205583	TRANSISTOR, FET, RSQ035P03TR
U03AS MAIN (PE0630)	R1001	75009835	RESISTOR, CHIP (1005), CR1/16S 560JV PB(F)
U03AS MAIN (PE0630)	R1002	75009835	RESISTOR, CHIP (1005), CR1/16S 560JV PB(F)
U03AS MAIN (PE0630)	R1003	75009835	RESISTOR, CHIP (1005), CR1/16S 560JV PB(F)
U03AS MAIN (PE0630)	R1004	75009835	RESISTOR, CHIP (1005), CR1/16S 560JV PB(F)
U03AS MAIN (PE0630)	R1005	75009850	RESISTOR, CHIP (1005), CR1/16S 103JV PB(F)
U03AS MAIN (PE0630)	R1006	75009845	RESISTOR, CHIP (1005), CR1/16S 471JV PB(F)
U03AS MAIN (PE0630)	R1007	75009835	RESISTOR, CHIP (1005), CR1/16S 560JV PB(F)
U03AS MAIN (PE0630)	R1008	75009835	RESISTOR, CHIP (1005), CR1/16S 560JV PB(F)
U03AS MAIN (PE0630)	R1009	75009835	RESISTOR, CHIP (1005), CR1/16S 560JV PB(F)
U03AS MAIN (PE0630)	R1010	75009845	RESISTOR, CHIP (1005), CR1/16S 471JV PB(F)
U03AS MAIN (PE0630)	R1012	75012543	RESISTOR, CHIP(2012), CR1/10 272JV PB(F)
U03AS MAIN (PE0630)	R1013	75012548	RESISTOR, CHIP(1005), CR1/16S 391FV PB(F)
U03AS MAIN (PE0630)	R1014	75009835	RESISTOR, CHIP (1005), CR1/16S 560JV PB(F)
U03AS MAIN (PE0630)	R1015	75009835	RESISTOR, CHIP (1005), CR1/16S 560JV PB(F)
U03AS MAIN (PE0630)	R1016	75009835	RESISTOR, CHIP (1005), CR1/16S 560JV PB(F)
U03AS MAIN (PE0630)	R1017	75009835	RESISTOR, CHIP (1005), CR1/16S 560JV PB(F)
U03AS MAIN (PE0630)	R1018	75009835	RESISTOR, CHIP (1005), CR1/16S 560JV PB(F)
U03AS MAIN (PE0630)	R1019	75009835	RESISTOR, CHIP (1005), CR1/16S 560JV PB(F)
U03AS MAIN (PE0630)	R1020	75009835	RESISTOR, CHIP (1005), CR1/16S 560JV PB(F)
U03AS MAIN (PE0630)	R1021	75009843	RESISTOR, CHIP (1005), CR1/16S 470JV PB(F)
U03AS MAIN (PE0630)	R1022	75009843	RESISTOR, CHIP (1005), CR1/16S 470JV PB(F)
U03AS MAIN (PE0630)	R1023	75009845	RESISTOR, CHIP (1005), CR1/16S 471JV PB(F)
U03AS MAIN (PE0630)	R1026	75012549	RESISTOR, CHIP(1005), CR1/16S 201DV PB(F)
U03AS MAIN (PE0630)	R1027	75011425	RESISTOR, CHIP (1005), CR1/16S 181DV PB(F)
U03AS MAIN (PE0630)	R1028	75007593	RESISTOR, CHIP(1005), ERJ2RKF33R0X
U03AS MAIN (PE0630)	R1100	75009834	RESISTOR, CHIP (1005), CR1/16S 103JV PB(F)
U03AS MAIN (PE0630)	R1101	75009834	RESISTOR, CHIP (1005), CR1/16S 103JV PB(F)
U03AS MAIN (PE0630)	R1102	75009834	RESISTOR, CHIP (1005), CR1/16S 103JV PB(F)
U03AS MAIN (PE0630)	R1103	75005803	RESISTOR, CHIP, 1005 CR1/16S 123JV PB(F)
U03AS MAIN (PE0630)	R1104	75009834	RESISTOR, CHIP (1005), CR1/16S 103JV PB(F)





U03AS MAIN (PE0630)	R1221	75008336	RESISTOR, CHIP(1005), CR1/16S 102JV PB(F)
U03AS MAIN (PE0630)	R1222	75008336	RESISTOR, CHIP(1005), CR1/16S 102JV PB(F)
U03AS MAIN (PE0630)	R1223	75008336	RESISTOR, CHIP(1005), CR1/16S 102JV PB(F)
U03AS MAIN (PE0630)	R1224	75009844	RESISTOR, CHIP (1005), CR1/16S 101JV PB(F)
U03AS MAIN (PE0630)	R1225	75009844	RESISTOR, CHIP (1005), CR1/16S 101JV PB(F)
U03AS MAIN (PE0630)	R1226	75009844	RESISTOR, CHIP (1005), CR1/16S 101JV PB(F)
U03AS MAIN (PE0630)	R1227	75009835	RESISTOR, CHIP (1005), CR1/16S 560JV PB(F)
U03AS MAIN (PE0630)	R1228	75009835	RESISTOR, CHIP (1005), CR1/16S 560JV PB(F)
U03AS MAIN (PE0630)	R1232	75009844	RESISTOR, CHIP (1005), CR1/16S 101JV PB(F)
U03AS MAIN (PE0630)	R1234	75007596	RESISTOR, CHIP(1005), CR1/16S 100JV PB(F)
U03AS MAIN (PE0630)	R1235	75007596	RESISTOR, CHIP(1005), CR1/16S 100JV PB(F)
U03AS MAIN (PE0630)	R1290	75007596	RESISTOR, CHIP(1005), CR1/16S 100JV PB(F)
U03AS MAIN (PE0630)	R1291	75007596	RESISTOR, CHIP(1005), CR1/16S 100JV PB(F)
U03AS MAIN (PE0630)	R1292	75007596	RESISTOR, CHIP(1005), CR1/16S 100JV PB(F)
U03AS MAIN (PE0630)	R1293	75007596	RESISTOR, CHIP(1005), CR1/16S 100JV PB(F)
U03AS MAIN (PE0630)	R1294	75007596	RESISTOR, CHIP(1005), CR1/16S 100JV PB(F)
U03AS MAIN (PE0630)	R1295	75007596	RESISTOR, CHIP(1005), CR1/16S 100JV PB(F)
U03AS MAIN (PE0630)	R1296	75007596	RESISTOR, CHIP(1005), CR1/16S 100JV PB(F)
U03AS MAIN (PE0630)	R1297	75007596	RESISTOR, CHIP(1005), CR1/16S 100JV PB(F)
U03AS MAIN (PE0630)	R1298	75007596	RESISTOR, CHIP(1005), CR1/16S 100JV PB(F)
U03AS MAIN (PE0630)	R1299	75007596	RESISTOR, CHIP(1005), CR1/16S 100JV PB(F)
U03AS MAIN (PE0630)	R1301	75009851	JUMPER, CHIP 1005TYPE, CR1/16S 000V PB(F)
U03AS MAIN (PE0630)	R1302	75009844	RESISTOR, CHIP (1005), CR1/16S 101JV PB(F)
U03AS MAIN (PE0630)	R1303	75009844	RESISTOR, CHIP (1005), CR1/16S 101JV PB(F)
U03AS MAIN (PE0630)	R1304	75009847	RESISTOR, CHIP (1005), CR1/16S 472JV PB(F)
U03AS MAIN (PE0630)	R1305	75009850	RESISTOR, CHIP (1005), CR1/16S 103JV PB(F)
U03AS MAIN (PE0630)	R1306	75009847	RESISTOR, CHIP (1005), CR1/16S 472JV PB(F)
U03AS MAIN (PE0630)	R1307	75009850	RESISTOR, CHIP (1005), CR1/16S 103JV PB(F)
U03AS MAIN (PE0630)	R1308	75010143	CHIP JUMPER, 1608TYPE, CR1/16 000V PB(F)
U03AS MAIN (PE0630)	R1310	75009834	RESISTOR, CHIP (1005), CR1/16S 103JV PB(F)
U03AS MAIN (PE0630)	R1311	75009847	RESISTOR, CHIP (1005), CR1/16S 472JV PB(F)
U03AS MAIN (PE0630)	R1312	75009847	RESISTOR, CHIP (1005), CR1/16S 472JV PB(F)
U03AS MAIN (PE0630)	R1313	75009844	RESISTOR, CHIP (1005), CR1/16S 101JV PB(F)
U03AS MAIN (PE0630)	R1314	75009844	RESISTOR, CHIP (1005), CR1/16S 101JV PB(F)
U03AS MAIN (PE0630)	R1315	75009844	RESISTOR, CHIP (1005), CR1/16S 101JV PB(F)
U03AS MAIN (PE0630)	R1316	75009844	RESISTOR, CHIP (1005), CR1/16S 101JV PB(F)
U03AS MAIN (PE0630)	R1317	75007596	RESISTOR, CHIP(1005), CR1/16S 100JV PB(F)
U03AS MAIN (PE0630)	R1318	75007596	RESISTOR, CHIP(1005), CR1/16S 100JV PB(F)
U03AS MAIN (PE0630)	R1319	75009844	RESISTOR, CHIP (1005), CR1/16S 101JV PB(F)
U03AS MAIN (PE0630)	R1320	75009840	RESISTOR, CHIP (1005), CR1/16S 102JV PB(F)
U03AS MAIN (PE0630)	R1321	75007984	RESISTOR, CHIP(1005), CR1/16S 105JV PB(F)
U03AS MAIN (PE0630)	R1322	75009842	RESISTOR, CHIP (1005), CR1/16S 330JV PB(F)
U03AS MAIN (PE0630)	R1323	75012553	RESISTOR, CHIP(1005), RK73H1ETTP9100F
U03AS MAIN (PE0630)	R1421	75009847	RESISTOR, CHIP (1005), CR1/16S 472JV PB(F)
U03AS MAIN (PE0630)	R1422	75009847	RESISTOR, CHIP (1005), CR1/16S 472JV PB(F)
U03AS MAIN (PE0630)	R1502	75009834	RESISTOR, CHIP (1005), CR1/16S 103JV PB(F)
U03AS MAIN (PE0630)	R1503	75009834	RESISTOR, CHIP (1005), CR1/16S 103JV PB(F)





U03AS MAIN (PE0630)	R2219	75007598	RESISTOR, CHIP(1005), CR1/16S 681JV PB(F)
U03AS MAIN (PE0630)	R2220	75007601	RESISTOR, CHIP(1005), CR1/16S 473JV PB(F)
U03AS MAIN (PE0630)	R2222	75007598	RESISTOR, CHIP(1005), CR1/16S 681JV PB(F)
U03AS MAIN (PE0630)	R2223	75007598	RESISTOR, CHIP(1005), CR1/16S 681JV PB(F)
U03AS MAIN (PE0630)	R2225	75009850	RESISTOR, CHIP (1005), CR1/16S 103JV PB(F)
U03AS MAIN (PE0630)	R2226	75009850	RESISTOR, CHIP (1005), CR1/16S 103JV PB(F)
U03AS MAIN (PE0630)	R2401	75007588	RESISTOR, CHIP(2012), CR1/10 750JV PB(F)
U03AS MAIN (PE0630)	R2402	75007588	RESISTOR, CHIP(2012), CR1/10 750JV PB(F)
U03AS MAIN (PE0630)	R2403	75007588	RESISTOR, CHIP(2012), CR1/10 750JV PB(F)
U03AS MAIN (PE0630)	R2404	75007588	RESISTOR, CHIP(2012), CR1/10 750JV PB(F)
U03AS MAIN (PE0630)	R2411	75008336	RESISTOR, CHIP(1005), CR1/16S 102JV PB(F)
U03AS MAIN (PE0630)	R2412	75008336	RESISTOR, CHIP(1005), CR1/16S 102JV PB(F)
U03AS MAIN (PE0630)	R2413	75008336	RESISTOR, CHIP(1005), CR1/16S 102JV PB(F)
U03AS MAIN (PE0630)	R2414	75008336	RESISTOR, CHIP(1005), CR1/16S 102JV PB(F)
U03AS MAIN (PE0630)	R2415	75008336	RESISTOR, CHIP(1005), CR1/16S 102JV PB(F)
U03AS MAIN (PE0630)	R2416	75008336	RESISTOR, CHIP(1005), CR1/16S 102JV PB(F)
U03AS MAIN (PE0630)	R2707	75009830	RESISTOR, CHIP (1005), CR1/16S 750JV PB(F)
U03AS MAIN (PE0630)	R2710	75009847	RESISTOR, CHIP (1005), CR1/16S 472JV PB(F)
U03AS MAIN (PE0630)	R2711	75009844	RESISTOR, CHIP (1005), CR1/16S 101JV PB(F)
U03AS MAIN (PE0630)	R2713	75009851	JUMPER, CHIP 1005TYPE, CR1/16S 000V PB(F)
U03AS MAIN (PE0630)	R2715	75009834	RESISTOR, CHIP (1005), CR1/16S 103JV PB(F)
U03AS MAIN (PE0630)	R2716	75009830	RESISTOR, CHIP (1005), CR1/16S 750JV PB(F)
U03AS MAIN (PE0630)	R2741	75009844	RESISTOR, CHIP (1005), CR1/16S 101JV PB(F)
U03AS MAIN (PE0630)	R2742	75009847	RESISTOR, CHIP (1005), CR1/16S 472JV PB(F)
U03AS MAIN (PE0630)	R2743	75009851	JUMPER, CHIP 1005TYPE, CR1/16S 000V PB(F)
U03AS MAIN (PE0630)	R2745	75009834	RESISTOR, CHIP (1005), CR1/16S 103JV PB(F)
U03AS MAIN (PE0630)	R2808	75009844	RESISTOR, CHIP (1005), CR1/16S 101JV PB(F)
U03AS MAIN (PE0630)	R2809	75007599	RESISTOR, CHIP(1005), CR1/16S 222JV PB(F)
U03AS MAIN (PE0630)	R2811	75007597	RESISTOR, CHIP(1005), CR1/16S 474JV PB(F)
U03AS MAIN (PE0630)	R2812	75009834	RESISTOR, CHIP (1005), CR1/16S 103JV PB(F)
U03AS MAIN (PE0630)	R2843	75009847	RESISTOR, CHIP (1005), CR1/16S 472JV PB(F)
U03AS MAIN (PE0630)	R2844	75009834	RESISTOR, CHIP (1005), CR1/16S 103JV PB(F)
U03AS MAIN (PE0630)	R2845	75005998	RESISTOR, CHIP (1005), CR1/16S 333JV PB(F)
U03AS MAIN (PE0630)	R2846	75007600	RESISTOR, CHIP(1005), CR1/16S 223JV PB(F)
U03AS MAIN (PE0630)	R2847	75007601	RESISTOR, CHIP(1005), CR1/16S 473JV PB(F)
U03AS MAIN (PE0630)	R2848	75007601	RESISTOR, CHIP(1005), CR1/16S 473JV PB(F)
U03AS MAIN (PE0630)	R2849	75007601	RESISTOR, CHIP(1005), CR1/16S 473JV PB(F)
U03AS MAIN (PE0630)	R2850	75009830	RESISTOR, CHIP (1005), CR1/16S 750JV PB(F)
U03AS MAIN (PE0630)	R2900	75009834	RESISTOR, CHIP (1005), CR1/16S 103JV PB(F)
U03AS MAIN (PE0630)	R2901	75005986	RESISTOR, CHIP (1005), CR1/16S 183JV PB(F)
U03AS MAIN (PE0630)	R2902	75009834	RESISTOR, CHIP (1005), CR1/16S 103JV PB(F)
U03AS MAIN (PE0630)	R2903	75005986	RESISTOR, CHIP (1005), CR1/16S 183JV PB(F)
U03AS MAIN (PE0630)	R2904	75009834	RESISTOR, CHIP (1005), CR1/16S 103JV PB(F)
U03AS MAIN (PE0630)	R2905	75005986	RESISTOR, CHIP (1005), CR1/16S 183JV PB(F)
U03AS MAIN (PE0630)	R2906	75005986	RESISTOR, CHIP (1005), CR1/16S 183JV PB(F)
U03AS MAIN (PE0630)	R2907	75009834	RESISTOR, CHIP (1005), CR1/16S 103JV PB(F)
U03AS MAIN (PE0630)	R3000	75010138	RESISTOR, CHIP (1608), CR1/16 472JV PB(F)

U03AS MAIN (PE0630)	R3002	75010138	RESISTOR, CHIP (1608), CR1/16 472JV PB(F)
U03AS MAIN (PE0630)	R3006	75008336	RESISTOR, CHIP(1005), CR1/16S 102JV PB(F)
U03AS MAIN (PE0630)	R3008	75008330	RESISTOR, CHIP(1005), CR1/16S 472FV PB(F)
U03AS MAIN (PE0630)	R3009	75008336	RESISTOR, CHIP(1005), CR1/16S 102JV PB(F)
U03AS MAIN (PE0630)	R3010	75010142	RESISTOR, CHIP (1608), CR1/16 472JV PB(F)
U03AS MAIN (PE0630)	R3011	75007601	RESISTOR, CHIP(1005), CR1/16S 473JV PB(F)
U03AS MAIN (PE0630)	R3013	75010142	RESISTOR, CHIP (1608), CR1/16 472JV PB(F)
U03AS MAIN (PE0630)	R3014	75007601	RESISTOR, CHIP(1005), CR1/16S 473JV PB(F)
U03AS MAIN (PE0630)	R3015	75008336	RESISTOR, CHIP(1005), CR1/16S 102JV PB(F)
U03AS MAIN (PE0630)	R3017	75008336	RESISTOR, CHIP(1005), CR1/16S 102JV PB(F)
U03AS MAIN (PE0630)	R3019	75008336	RESISTOR, CHIP(1005), CR1/16S 102JV PB(F)
U03AS MAIN (PE0630)	R3022	75007601	RESISTOR, CHIP(1005), CR1/16S 473JV PB(F)
U03AS MAIN (PE0630)	R3028	75007601	RESISTOR, CHIP(1005), CR1/16S 473JV PB(F)
U03AS MAIN (PE0630)	R3500	75008336	RESISTOR, CHIP(1005), CR1/16S 102JV PB(F)
U03AS MAIN (PE0630)	R3501	75009847	RESISTOR, CHIP (1005), CR1/16S 472JV PB(F)
U03AS MAIN (PE0630)	R3502	75009850	RESISTOR, CHIP (1005), CR1/16S 103JV PB(F)
U03AS MAIN (PE0630)	R3504	75008336	RESISTOR, CHIP(1005), CR1/16S 102JV PB(F)
U03AS MAIN (PE0630)	R3505	75009847	RESISTOR, CHIP (1005), CR1/16S 472JV PB(F)
U03AS MAIN (PE0630)	R3506	75009850	RESISTOR, CHIP (1005), CR1/16S 103JV PB(F)
U03AS MAIN (PE0630)	R3511	75007601	RESISTOR, CHIP(1005), CR1/16S 473JV PB(F)
U03AS MAIN (PE0630)	R3512	75005805	RESISTOR, CHIP, 1005 CR1/16S 224JV PB(F)
U03AS MAIN (PE0630)	R6000	75005804	RESISTOR, CHIP, 1005 CR1/16S 153JV PB(F)
U03AS MAIN (PE0630)	R6001	75005804	RESISTOR, CHIP, 1005 CR1/16S 153JV PB(F)
U03AS MAIN (PE0630)	R6002	75005985	RESISTOR, CHIP (1005), CR1/16S 332JV PB(F)
U03AS MAIN (PE0630)	R6003	75007600	RESISTOR, CHIP(1005), CR1/16S 223JV PB(F)
U03AS MAIN (PE0630)	R6004	75007600	RESISTOR, CHIP(1005), CR1/16S 223JV PB(F)
U03AS MAIN (PE0630)	R6005	75007601	RESISTOR, CHIP(1005), CR1/16S 473JV PB(F)
U03AS MAIN (PE0630)	R6006	75007601	RESISTOR, CHIP(1005), CR1/16S 473JV PB(F)
U03AS MAIN (PE0630)	R6028	75009844	RESISTOR, CHIP (1005), CR1/16S 101JV PB(F)
U03AS MAIN (PE0630)	R6029	75009844	RESISTOR, CHIP (1005), CR1/16S 101JV PB(F)
U03AS MAIN (PE0630)	R6030	75007601	RESISTOR, CHIP(1005), CR1/16S 473JV PB(F)
U03AS MAIN (PE0630)	R6031	75007601	RESISTOR, CHIP(1005), CR1/16S 473JV PB(F)
U03AS MAIN (PE0630)	R6032	75007601	RESISTOR, CHIP(1005), CR1/16S 473JV PB(F)
U03AS MAIN (PE0630)	R6033	75007600	RESISTOR, CHIP(1005), CR1/16S 223JV PB(F)
U03AS MAIN (PE0630)	R6060	75005985	RESISTOR, CHIP (1005), CR1/16S 332JV PB(F)
U03AS MAIN (PE0630)	R6062	75005804	RESISTOR, CHIP, 1005 CR1/16S 153JV PB(F)
U03AS MAIN (PE0630)	R6063	75005804	RESISTOR, CHIP, 1005 CR1/16S 153JV PB(F)
U03AS MAIN (PE0630)	R6065	75007601	RESISTOR, CHIP(1005), CR1/16S 473JV PB(F)
U03AS MAIN (PE0630)	R6067	75007601	RESISTOR, CHIP(1005), CR1/16S 473JV PB(F)
U03AS MAIN (PE0630)	R6078	75007600	RESISTOR, CHIP(1005), CR1/16S 223JV PB(F)
U03AS MAIN (PE0630)	R6079	75007600	RESISTOR, CHIP(1005), CR1/16S 223JV PB(F)
U03AS MAIN (PE0630)	R6101	75012544	RESISTOR, CHIP(3216), CR1/8 221FV PB(F)
U03AS MAIN (PE0630)	R6102	75009448	RESISTOR, CHIP (3216), CR1/8 6R8FV PB(F)
U03AS MAIN (PE0630)	R6103	75009448	RESISTOR, CHIP (3216), CR1/8 6R8FV PB(F)
U03AS MAIN (PE0630)	R6104	75012544	RESISTOR, CHIP(3216), CR1/8 221FV PB(F)
U03AS MAIN (PE0630)	R6105	75009448	RESISTOR, CHIP (3216), CR1/8 6R8FV PB(F)
U03AS MAIN (PE0630)	R6106	75009448	RESISTOR, CHIP (3216), CR1/8 6R8FV PB(F)

U03AS MAIN (PE0630)	R6107	75007600	RESISTOR, CHIP(1005), CR1/16S 223JV PB(F)
U03AS MAIN (PE0630)	R6108	75007599	RESISTOR, CHIP(1005), CR1/16S 222JV PB(F)
U03AS MAIN (PE0630)	R6109	75009844	RESISTOR, CHIP (1005), CR1/16S 101JV PB(F)
U03AS MAIN (PE0630)	R6110	75009844	RESISTOR, CHIP (1005), CR1/16S 101JV PB(F)
U03AS MAIN (PE0630)	R6111	75007600	RESISTOR, CHIP(1005), CR1/16S 223JV PB(F)
U03AS MAIN (PE0630)	R6112	75009834	RESISTOR, CHIP (1005), CR1/16S 103JV PB(F)
U03AS MAIN (PE0630)	R6113	75009844	RESISTOR, CHIP (1005), CR1/16S 101JV PB(F)
U03AS MAIN (PE0630)	R6114	75009844	RESISTOR, CHIP (1005), CR1/16S 101JV PB(F)
U03AS MAIN (PE0630)	R6115	75009844	RESISTOR, CHIP (1005), CR1/16S 101JV PB(F)
U03AS MAIN (PE0630)	R6116	75009844	RESISTOR, CHIP (1005), CR1/16S 101JV PB(F)
U03AS MAIN (PE0630)	R6117	75010703	RESISTOR, CHIP (1005), CR1/16S 622FV PB(F)
U03AS MAIN (PE0630)	R6118	75009851	JUMPER, CHIP 1005TYPE, CR1/16S 000V PB(F)
U03AS MAIN (PE0630)	R6119	75009851	JUMPER, CHIP 1005TYPE, CR1/16S 000V PB(F)
U03AS MAIN (PE0630)	R6151	75010698	RESISTOR, CHIP (3216), ERJ8ENF75R0V
U03AS MAIN (PE0630)	R6152	75010698	RESISTOR, CHIP (3216), ERJ8ENF75R0V
U03AS MAIN (PE0630)	R6154	75010698	RESISTOR, CHIP (3216), ERJ8ENF75R0V
U03AS MAIN (PE0630)	R6155	75010698	RESISTOR, CHIP (3216), ERJ8ENF75R0V
U03AS MAIN (PE0630)	R6301	75009836	JUMPER, CHIP 1005TYPE, CR1/16S 000V PB(F)
U03AS MAIN (PE0630)	R6302	75007599	RESISTOR, CHIP(1005), CR1/16S 222JV PB(F)
U03AS MAIN (PE0630)	R6304	75007600	RESISTOR, CHIP(1005), CR1/16S 223JV PB(F)
U03AS MAIN (PE0630)	R6305	75009840	RESISTOR, CHIP (1005), CR1/16S 102JV PB(F)
U03AS MAIN (PE0630)	R6306	75009848	RESISTOR, CHIP (1005), CR1/16S 104JV PB(F)
U03AS MAIN (PE0630)	R6307	75009848	RESISTOR, CHIP (1005), CR1/16S 104JV PB(F)
U03AS MAIN (PE0630)	R6308	75007600	RESISTOR, CHIP(1005), CR1/16S 223JV PB(F)
U03AS MAIN (PE0630)	R6309	75009834	RESISTOR, CHIP (1005), CR1/16S 103JV PB(F)
U03AS MAIN (PE0630)	R6310	75007601	RESISTOR, CHIP(1005), CR1/16S 473JV PB(F)
U03AS MAIN (PE0630)	R6311	75009834	RESISTOR, CHIP (1005), CR1/16S 103JV PB(F)
U03AS MAIN (PE0630)	R6312	75007600	RESISTOR, CHIP(1005), CR1/16S 223JV PB(F)
U03AS MAIN (PE0630)	R6313	75009848	RESISTOR, CHIP (1005), CR1/16S 104JV PB(F)
U03AS MAIN (PE0630)	R6314	75009840	RESISTOR, CHIP (1005), CR1/16S 102JV PB(F)
U03AS MAIN (PE0630)	R6315	75009834	RESISTOR, CHIP (1005), CR1/16S 103JV PB(F)
U03AS MAIN (PE0630)	R6316	75009840	RESISTOR, CHIP (1005), CR1/16S 102JV PB(F)
U03AS MAIN (PE0630)	R6317	75009834	RESISTOR, CHIP (1005), CR1/16S 103JV PB(F)
U03AS MAIN (PE0630)	R6401	75009847	RESISTOR, CHIP (1005), CR1/16S 472JV PB(F)
U03AS MAIN (PE0630)	R6402	75009847	RESISTOR, CHIP (1005), CR1/16S 472JV PB(F)
U03AS MAIN (PE0630)	R6403	75006537	RESISTOR, CHIP (1005), CR1/16S 203JV PB(F)
U03AS MAIN (PE0630)	R6404	75006537	RESISTOR, CHIP (1005), CR1/16S 203JV PB(F)
U03AS MAIN (PE0630)	R6405	75009834	RESISTOR, CHIP (1005), CR1/16S 103JV PB(F)
U03AS MAIN (PE0630)	R6406	75009834	RESISTOR, CHIP (1005), CR1/16S 103JV PB(F)
U03AS MAIN (PE0630)	R6407	75009834	RESISTOR, CHIP (1005), CR1/16S 103JV PB(F)
U03AS MAIN (PE0630)	R6408	75007601	RESISTOR, CHIP(1005), CR1/16S 473JV PB(F)
U03AS MAIN (PE0630)	R6409	75009848	RESISTOR, CHIP (1005), CR1/16S 104JV PB(F)
U03AS MAIN (PE0630)	R7001	75009849	RESISTOR, CHIP (1005), CR1/16S 101JV PB(F)
U03AS MAIN (PE0630)	R7002	75009849	RESISTOR, CHIP (1005), CR1/16S 101JV PB(F)
U03AS MAIN (PE0630)	R7003	75009848	RESISTOR, CHIP (1005), CR1/16S 104JV PB(F)
U03AS MAIN (PE0630)	R7004	75009848	RESISTOR, CHIP (1005), CR1/16S 104JV PB(F)
U03AS MAIN (PE0630)	R7006	75009848	RESISTOR, CHIP (1005), CR1/16S 104JV PB(F)

U03AS MAIN (PE0630)	R7007	75009850	RESISTOR, CHIP (1005), CR1/16S 103JV PB(F)
U03AS MAIN (PE0630)	R7008	75009850	RESISTOR, CHIP (1005), CR1/16S 103JV PB(F)
U03AS MAIN (PE0630)	R7011	75008670	RESISTOR, CHIP (1005), CR1/16S 163FV PB(F)
U03AS MAIN (PE0630)	R7012	75005987	RESISTOR, CHIP (1005), CR1/16S 201JV PB(F)
U03AS MAIN (PE0630)	R7013	75009842	RESISTOR, CHIP (1005), CR1/16S 330JV PB(F)
U03AS MAIN (PE0630)	R7014	75009842	RESISTOR, CHIP (1005), CR1/16S 330JV PB(F)
U03AS MAIN (PE0630)	R7015	75009842	RESISTOR, CHIP (1005), CR1/16S 330JV PB(F)
U03AS MAIN (PE0630)	R7016	75009842	RESISTOR, CHIP (1005), CR1/16S 330JV PB(F)
U03AS MAIN (PE0630)	R7017	75009842	RESISTOR, CHIP (1005), CR1/16S 330JV PB(F)
U03AS MAIN (PE0630)	R8000	75009851	JUMPER, CHIP 1005TYPE, CR1/16S 000V PB(F)
U03AS MAIN (PE0630)	R8001	75009851	JUMPER, CHIP 1005TYPE, CR1/16S 000V PB(F)
U03AS MAIN (PE0630)	R8002	75009851	JUMPER, CHIP 1005TYPE, CR1/16S 000V PB(F)
U03AS MAIN (PE0630)	R8003	75009851	JUMPER, CHIP 1005TYPE, CR1/16S 000V PB(F)
U03AS MAIN (PE0630)	R8004	75009916	RESISTOR, CHIP (1005), CR1/16S 183DV PB(F)
U03AS MAIN (PE0630)	R8005	75008335	RESISTOR, CHIP(1005), CR1/16S 103DV PB(F)
U03AS MAIN (PE0630)	R8006	75009847	RESISTOR, CHIP (1005), CR1/16S 472JV PB(F)
U03AS MAIN (PE0630)	R8007	75009847	RESISTOR, CHIP (1005), CR1/16S 472JV PB(F)
U03AS MAIN (PE0630)	R8009	75010143	CHIP JUMPER, 1608TYPE, CR1/16 000V PB(F)
U03AS MAIN (PE0630)	R8010	75007986	RESISTOR, CHIP(1005), CR1/16S 681DV PB(F)
U03AS MAIN (PE0630)	R8011	75010143	CHIP JUMPER, 1608TYPE, CR1/16 000V PB(F)
U03AS MAIN (PE0630)	R8013	75010143	CHIP JUMPER, 1608TYPE, CR1/16 000V PB(F)
U03AS MAIN (PE0630)	R8014	75007985	RESISTOR, CHIP(1005), CR1/16S 151DV PB(F)
U03AS MAIN (PE0630)	R8015	75009851	JUMPER, CHIP 1005TYPE, CR1/16S 000V PB(F)
U03AS MAIN (PE0630)	R8016	75009851	JUMPER, CHIP 1005TYPE, CR1/16S 000V PB(F)
U03AS MAIN (PE0630)	R8017	75009842	RESISTOR, CHIP (1005), CR1/16S 330JV PB(F)
U03AS MAIN (PE0630)	R8018	75009834	RESISTOR, CHIP (1005), CR1/16S 103JV PB(F)
U03AS MAIN (PE0630)	R8019	75009850	RESISTOR, CHIP (1005), CR1/16S 103JV PB(F)
U03AS MAIN (PE0630)	R8020	75009842	RESISTOR, CHIP (1005), CR1/16S 330JV PB(F)
U03AS MAIN (PE0630)	R8022	75008336	RESISTOR, CHIP(1005), CR1/16S 102JV PB(F)
U03AS MAIN (PE0630)	R8023	75009842	RESISTOR, CHIP (1005), CR1/16S 330JV PB(F)
U03AS MAIN (PE0630)	R8503	75009844	RESISTOR, CHIP (1005), CR1/16S 101JV PB(F)
U03AS MAIN (PE0630)	R8504	75009844	RESISTOR, CHIP (1005), CR1/16S 101JV PB(F)
U03AS MAIN (PE0630)	R8506	75009844	RESISTOR, CHIP (1005), CR1/16S 101JV PB(F)
U03AS MAIN (PE0630)	R8507	75009834	RESISTOR, CHIP (1005), CR1/16S 103JV PB(F)
U03AS MAIN (PE0630)	R8508	75007590	RESISTOR, CHIP(1005), CR1/16S 273JV PB(F)
U03AS MAIN (PE0630)	R8509	75009836	JUMPER, CHIP 1005TYPE, CR1/16S 000V PB(F)
U03AS MAIN (PE0630)	R8510	75010701	RESISTOR, CHIP (1005), CR1/16S 302JV PB(F)
U03AS MAIN (PE0630)	R8511	75009846	RESISTOR, CHIP (1005), CR1/16S 152JV PB(F)
U03AS MAIN (PE0630)	R8512	75010706	RESISTOR, CHIP (1005), ERJ2GEJ510X
U03AS MAIN (PE0630)	R8514	75009836	JUMPER, CHIP 1005TYPE, CR1/16S 000V PB(F)
U03AS MAIN (PE0630)	R8515	75010701	RESISTOR, CHIP (1005), CR1/16S 302JV PB(F)
U03AS MAIN (PE0630)	R8516	75009846	RESISTOR, CHIP (1005), CR1/16S 152JV PB(F)
U03AS MAIN (PE0630)	R8517	75010706	RESISTOR, CHIP (1005), ERJ2GEJ510X
U03AS MAIN (PE0630)	R8525	75009836	JUMPER, CHIP 1005TYPE, CR1/16S 000V PB(F)
U03AS MAIN (PE0630)	R9017	75009851	JUMPER, CHIP 1005TYPE, CR1/16S 000V PB(F)
U03AS MAIN (PE0630)	R9208	75009834	RESISTOR, CHIP (1005), CR1/16S 103JV PB(F)
U03AS MAIN (PE0630)	R9209	75009847	RESISTOR, CHIP (1005), CR1/16S 472JV PB(F)

U03AS MAIN (PE0630)	R9211	75009840	RESISTOR, CHIP (1005), CR1/16S 102JV PB(F)
U03AS MAIN (PE0630)	R9212	75009842	RESISTOR, CHIP (1005), CR1/16S 330JV PB(F)
U03AS MAIN (PE0630)	R9214	75009844	RESISTOR, CHIP (1005), CR1/16S 101JV PB(F)
U03AS MAIN (PE0630)	R9500	75005985	RESISTOR, CHIP (1005), CR1/16S 332JV PB(F)
U03AS MAIN (PE0630)	R9501	75005985	RESISTOR, CHIP (1005), CR1/16S 332JV PB(F)
U03AS MAIN (PE0630)	R9502	75009850	RESISTOR, CHIP (1005), CR1/16S 103JV PB(F)
U03AS MAIN (PE0630)	R9503	75009844	RESISTOR, CHIP (1005), CR1/16S 101JV PB(F)
U03AS MAIN (PE0630)	R9504	75012551	RESISTOR, CHIP(1608), ERJ3GEYJ243V
U03AS MAIN (PE0630)	R9505	75009851	JUMPER, CHIP 1005TYPE, CR1/16S 000V PB(F)
U03AS MAIN (PE0630)	R9506	75012546	RESISTOR, CHIP(1608), CR1/16 362FV PB(F)
U03AS MAIN (PE0630)	R9507	75012545	RESISTOR, CHIP(1608), ERJ3GEYF243V
U03AS MAIN (PE0630)	R9508	75009832	RESISTOR, CHIP (1005), CR1/16S 103FV PB(F)
U03AS MAIN (PE0630)	R9511	75009832	RESISTOR, CHIP (1005), CR1/16S 103FV PB(F)
U03AS MAIN (PE0630)	R9512	75012547	RESISTOR, CHIP(1005), CR1/16S 750FV PB(F)
U03AS MAIN (PE0630)	R9513	75008013	RESISTOR, CHIP(1005), CR1/16S 101FV PB(F)
U03AS MAIN (PE0630)	R9514	75011116	RESISTOR, CHIP (1005), CR1/16S 392FV PB(F)
U03AS MAIN (PE0630)	R9515	75011076	RESISTOR, CHIP (1005), CR1/16S 682DV PB(F)
U03AS MAIN (PE0630)	R9516	75009844	RESISTOR, CHIP (1005), CR1/16S 101JV PB(F)
U03AS MAIN (PE0630)	R9517	75009850	RESISTOR, CHIP (1005), CR1/16S 103JV PB(F)
U03AS MAIN (PE0630)	R9518	75008533	RESISTOR, CHIP(1005), CR1/16S 102DV PB(F)
U03AS MAIN (PE0630)	R9519	75008533	RESISTOR, CHIP(1005), CR1/16S 102DV PB(F)
U03AS MAIN (PE0630)	R9520	75008533	RESISTOR, CHIP(1005), CR1/16S 102DV PB(F)
U03AS MAIN (PE0630)	R9521	75008533	RESISTOR, CHIP(1005), CR1/16S 102DV PB(F)
U03AS MAIN (PE0630)	R9524	75009850	RESISTOR, CHIP (1005), CR1/16S 103JV PB(F)
U03AS MAIN (PE0630)	R9525	75009851	JUMPER, CHIP 1005TYPE, CR1/16S 000V PB(F)
U03AS MAIN (PE0630)	R9601	75008335	RESISTOR, CHIP(1005), CR1/16S 103DV PB(F)
U03AS MAIN (PE0630)	R9602	75011074	RESISTOR, CHIP (1005), CR1/16S 473DV PB(F)
U03AS MAIN (PE0630)	R9603	75005996	RESISTOR, CHIP (1005), CR1/16S 682DV PB(F)
U03AS MAIN (PE0630)	R9605	75011075	RESISTOR, CHIP (1005), CR1/16S 104DV PB(F)
U03AS MAIN (PE0630)	R9606	75011075	RESISTOR, CHIP (1005), CR1/16S 104DV PB(F)
U03AS MAIN (PE0630)	R9607	75012278	RESISTOR, CHIP (1005), CR1/16S 512DV PB(F)
U03AS MAIN (PE0630)	R9608	75011075	RESISTOR, CHIP (1005), CR1/16S 104DV PB(F)
U03AS MAIN (PE0630)	R9611	75010857	RESISTOR, CHIP (1005), CR1/16S 124DV PB(F)
U03AS MAIN (PE0630)	R9612	75008335	RESISTOR, CHIP(1005), CR1/16S 103DV PB(F)
U03AS MAIN (PE0630)	R9613	75008335	RESISTOR, CHIP(1005), CR1/16S 103DV PB(F)
U03AS MAIN (PE0630)	R9614	75010852	RESISTOR, CHIP (1005), CR1/16S 333DV PB(F)
U03AS MAIN (PE0630)	R9615	75010862	RESISTOR, CHIP (1005), CR1/16S 274DV PB(F)
U03AS MAIN (PE0630)	R9637	75010850	RESISTOR, CHIP (1005), CR1/16S 223DV PB(F)
U03AS MAIN (PE0630)	R9638	75011074	RESISTOR, CHIP (1005), CR1/16S 473DV PB(F)
U03AS MAIN (PE0630)	R9639	75007989	RESISTOR, CHIP(1005), ERJ2RKD224X
U03AS MAIN (PE0630)	R9640	75010705	RESISTOR, CHIP (1005), CR1/16S 332DV PB(F)
U03AS MAIN (PE0630)	R9641	75008335	RESISTOR, CHIP(1005), CR1/16S 103DV PB(F)
U03AS MAIN (PE0630)	RM160	75009917	RESISTOR, NETWORK, CHIP (1005X4), CRA108560JV F
U03AS MAIN (PE0630)	RM161	75009917	RESISTOR, NETWORK, CHIP (1005X4), CRA108560JV F
U03AS MAIN (PE0630)	RM162	75009917	RESISTOR, NETWORK, CHIP (1005X4), CRA108560JV F
U03AS MAIN (PE0630)	RM163	75009917	RESISTOR, NETWORK, CHIP (1005X4), CRA108560JV F
U03AS MAIN (PE0630)	RM164	75009917	RESISTOR, NETWORK, CHIP (1005X4), CRA108560JV F



U03AS MAIN (PE0630)	RM165	75009917	RESISTOR, NETWORK, CHIP (1005X4), CRA108560JV F
U03AS MAIN (PE0630)	RM166	75009917	RESISTOR, NETWORK, CHIP (1005X4), CRA108560JV F
U03AS MAIN (PE0630)	RM701	75009839	RESISTOR, NETWORK CHIP (1005X4), CRA108330JV PI
U03AS MAIN (PE0630)	RM702	75009839	RESISTOR, NETWORK CHIP (1005X4), CRA108330JV PI
U03AS MAIN (PE0630)	RM703	75009839	RESISTOR, NETWORK CHIP (1005X4), CRA108330JV PI
U03AS MAIN (PE0630)	RM704	75009839	RESISTOR, NETWORK CHIP (1005X4), CRA108330JV PI
U03AS MAIN (PE0630)	RM705	75009839	RESISTOR, NETWORK CHIP (1005X4), CRA108330JV PI
U03AS MAIN (PE0630)	RM706	75009839	RESISTOR, NETWORK CHIP (1005X4), CRA108330JV PI
U03AS MAIN (PE0630)	RM707	75009828	RESISTOR, CHIP NETWORK (1005X4), CRA108220JV PI
U03AS MAIN (PE0630)	RM708	75009828	RESISTOR, CHIP NETWORK (1005X4), CRA108220JV PI
U03AS MAIN (PE0630)	RM709	75009828	RESISTOR, CHIP NETWORK (1005X4), CRA108220JV PI
U03AS MAIN (PE0630)	RM710	75009828	RESISTOR, CHIP NETWORK (1005X4), CRA108220JV PI
U03AS MAIN (PE0630)	RM711	75009828	RESISTOR, CHIP NETWORK (1005X4), CRA108220JV PI
U03AS MAIN (PE0630)	RM712	75009828	RESISTOR, CHIP NETWORK (1005X4), CRA108220JV PI
U03AS MAIN (PE0630)	RM713	75009921	RESISTOR, NETWORK, CHIP (1005X4), CRA108330JV F
U03AS MAIN (PE0630)	RM714	75009921	RESISTOR, NETWORK, CHIP (1005X4), CRA108330JV F
U03AS MAIN (PE0630)	RM715	75009917	RESISTOR, NETWORK, CHIP (1005X4), CRA108560JV F
U03AS MAIN (PE0630)	RM716	75009917	RESISTOR, NETWORK, CHIP (1005X4), CRA108560JV F
U03AS MAIN (PE0630)	RM717	75009917	RESISTOR, NETWORK, CHIP (1005X4), CRA108560JV F
U03AS MAIN (PE0630)	RM718	75009917	RESISTOR, NETWORK, CHIP (1005X4), CRA108560JV F
U03AS MAIN (PE0630)	RM800	75009921	RESISTOR, NETWORK, CHIP (1005X4), CRA108330JV F
U03AS MAIN (PE0630)	RM801	75009921	RESISTOR, NETWORK, CHIP (1005X4), CRA108330JV F
U03AS MAIN (PE0630)	RV200	75008678	VARISTOR, EZJZ0V270RA
U03AS MAIN (PE0630)	RV201	75008678	VARISTOR, EZJZ0V270RA
U03AS MAIN (PE0630)	RV202	75008678	VARISTOR, EZJZ0V270RA
U03AS MAIN (PE0630)	RV203	75008678	VARISTOR, EZJZ0V270RA
U03AS MAIN (PE0630)	RV204	75008678	VARISTOR, EZJZ0V270RA
U03AS MAIN (PE0630)	RV206	75008678	VARISTOR, EZJZ0V270RA
U03AS MAIN (PE0630)	RV207	75008678	VARISTOR, EZJZ0V270RA
U03AS MAIN (PE0630)	RV209	75008678	VARISTOR, EZJZ0V270RA
U03AS MAIN (PE0630)	RV210	75008678	VARISTOR, EZJZ0V270RA
U03AS MAIN (PE0630)	RV213	75008678	VARISTOR, EZJZ0V270RA
U03AS MAIN (PE0630)	RV214	75008678	VARISTOR, EZJZ0V270RA
U03AS MAIN (PE0630)	RV215	75008678	VARISTOR, EZJZ0V270RA
U03AS MAIN (PE0630)	RV500	75008678	VARISTOR, EZJZ0V270RA
U03AS MAIN (PE0630)	RV501	75008678	VARISTOR, EZJZ0V270RA
U03AS MAIN (PE0630)	RV502	75008678	VARISTOR, EZJZ0V270RA
U03AS MAIN (PE0630)	RV503	75008678	VARISTOR, EZJZ0V270RA
U03AS MAIN (PE0630)	W1001	75009836	JUMPER, CHIP 1005TYPE, CR1/16S 000V PB(F)
U03AS MAIN (PE0630)	W1100	75009836	JUMPER, CHIP 1005TYPE, CR1/16S 000V PB(F)
U03AS MAIN (PE0630)	W1101	75009836	JUMPER, CHIP 1005TYPE, CR1/16S 000V PB(F)
U03AS MAIN (PE0630)	W1201	75009837	JUMPER, CHIP 1608TYPE, CR1/16 000V PB(F)
U03AS MAIN (PE0630)	W1301	75009837	JUMPER, CHIP 1608TYPE, CR1/16 000V PB(F)
U03AS MAIN (PE0630)	W1302	75009837	JUMPER, CHIP 1608TYPE, CR1/16 000V PB(F)
U03AS MAIN (PE0630)	W1303	75009837	JUMPER, CHIP 1608TYPE, CR1/16 000V PB(F)
U03AS MAIN (PE0630)	W1304	75009837	JUMPER, CHIP 1608TYPE, CR1/16 000V PB(F)
U03AS MAIN (PE0630)	W7081	75009842	RESISTOR, CHIP (1005), CR1/16S 330JV PB(F)

U03AS MAIN (PE0630)	W8000	75009851	JUMPER, CHIP 1005TYPE, CR1/16S 000V PB(F)
U03AS MAIN (PE0630)	W8001	75009851	JUMPER, CHIP 1005TYPE, CR1/16S 000V PB(F)
U03AS MAIN (PE0630)	W8004	75009923	RESISTOR, CHIP (2012), CR1/10 000V PB(F)
U03AS MAIN (PE0630)	W8005	75009923	RESISTOR, CHIP (2012), CR1/10 000V PB(F)
U03AS MAIN (PE0630)	W8006	75012552	JUMPER, CHIP 3216TYPE, CR1/8 000V PB(F)
U03AS MAIN (PE0630)	W8007	75012552	JUMPER, CHIP 3216TYPE, CR1/8 000V PB(F)
U03AS MAIN (PE0630)	W8008	75012552	JUMPER, CHIP 3216TYPE, CR1/8 000V PB(F)
U03AS MAIN (PE0630)	W8009	75012552	JUMPER, CHIP 3216TYPE, CR1/8 000V PB(F)
U03AS MAIN (PE0630)	W9003	75009837	JUMPER, CHIP 1608TYPE, CR1/16 000V PB(F)
U03AS MAIN (PE0630)	W9004	75009837	JUMPER, CHIP 1608TYPE, CR1/16 000V PB(F)
U03AS MAIN (PE0630)	W9006	75009837	JUMPER, CHIP 1608TYPE, CR1/16 000V PB(F)
U03AS MAIN (PE0630)	W9007	75009837	JUMPER, CHIP 1608TYPE, CR1/16 000V PB(F)
U03AS MAIN (PE0630)	W9025	75009837	JUMPER, CHIP 1608TYPE, CR1/16 000V PB(F)
U03AS MAIN (PE0630)	W9027	75009837	JUMPER, CHIP 1608TYPE, CR1/16 000V PB(F)
U03AS MAIN (PE0630)	W9502	75010114	RESISTOR, CHIP (1608), CR1/16 102JV PB(F)
U03AS MAIN (PE0630)	W9503	75009837	JUMPER, CHIP 1608TYPE, CR1/16 000V PB(F)
U03AS MAIN (PE0630)	W9603	75009851	JUMPER, CHIP 1005TYPE, CR1/16S 000V PB(F)
U03AS MAIN (PE0630)	W9611	75009851	JUMPER, CHIP 1005TYPE, CR1/16S 000V PB(F)
U03AS MAIN (PE0630)	X1301	75012563	CRYSTAL, CHIP, SMD-49 12MHZ 12PF
U03AS MAIN (PE0630)	X8001	75011438	RESONATOR, 20PPM 70OHM CL=8PF, NX5032GC-EXS0

## PARTS LIST

Block :

Location :  Search 


Page :  / 1

Parts No. :  Search 

Block		Location	Parts No.	Description	AA	S	M	L		
Miscellaneous		<a href="#">B001A</a>	75011173	LCD PANEL, LC420WXN-SAB1						
Miscellaneous		<a href="#">H001</a>	75010735	TUNER, ENG37E05KF						
Miscellaneous		<a href="#">MZ01A</a>	75010968	WIRE HARNESS, MF0154						
Miscellaneous		<a href="#">P801</a>	23372353	POWER CORD, UK 250V3A FL/FUSE13						
Miscellaneous		<a href="#">P801</a>	23372368	POWER CORD, CEE FL M5206 250V2 206 - 2.3M HOUSING						
Miscellaneous		<a href="#">PP08</a>	23974994	BAND, KESSOKU						
Miscellaneous		<a href="#">J800</a>	75012584	POWER UNIT, SRV2170WW						
Miscellaneous		<a href="#">W661</a>	75011535	SPEAKER, SPK1503AO, 35X120 8-OHM 10W						
Miscellaneous		<a href="#">Z006</a>	23103840	FERRITE CORE, TFE1013						
Miscellaneous		<a href="#">Z007</a>	23103914	FERRITE CORE, TFE1015AD						
Miscellaneous		<a href="#">Z008</a>	23103841	FERRITE CORE, TFE1014						
Miscellaneous		<a href="#">Z009</a>	23103778	FERRITE CORE, TFE1008						

## PARTS LIST






Block :

Location :  Search 

Page :  / 1

Parts No. :  Search 

Block		Location	Parts No.	Description	AA	S	M	L		
Accessory		Y101	75012576	OWNERS MANUAL						
Accessory		Y101E	75012578	OWNERS MANUAL, EURO						
Accessory		Y102E	75012579	OWNERS MANUAL, NORDIC						
Accessory		Y105	75010347	OWNERS MANUAL, STD EU						
Accessory		Y110	75012577	OWNERS MANUAL, QSUG						
Accessory		Y114	75012580	OWNERS MANUAL, ITA, SCHEMA						
Accessory		Y115	75009771	OWNERS MANUAL, XF DIGITAL UK RETUNE GUIDE						
Accessory		Y130	75010737	REMOCON HAND UNIT, CT-90300						
Accessory		Y131	75012514	POWER UNIT BATTERY, R03UG(JE)SP-2TGC-T						
Accessory		Y170	23845800	HOLDER, WIRE, NYLON66 D6.8						
Accessory		Y186	75009788	CLOTH, CLEAN						




# PARTS LIST

Block :

Location :  Search 

Page :  / 1

Parts No. :  Search 



Block	Location	Parts No.	Description	AA	S	M	L		
Cabinet	<a href="#">A201</a>	75010959	FRNT BEZEL ASSY						
Cabinet	 <a href="#">A401</a>	75010960	BACK COVER ASSY						
Cabinet	<a href="#">A412</a>	75010345	SCREW, BITTB3X8 SBN						
Cabinet	<a href="#">A420</a>	75010961	BRACKET ASSY, STAND						
Cabinet	<a href="#">A421</a>	75011371	BASE COVER, STAND						
Cabinet	<a href="#">A430</a>	75005733	PIECE CLAMP HOLDER						

# PARTS LIST

Block :  ▾

Location :  Search  Page :  / 1

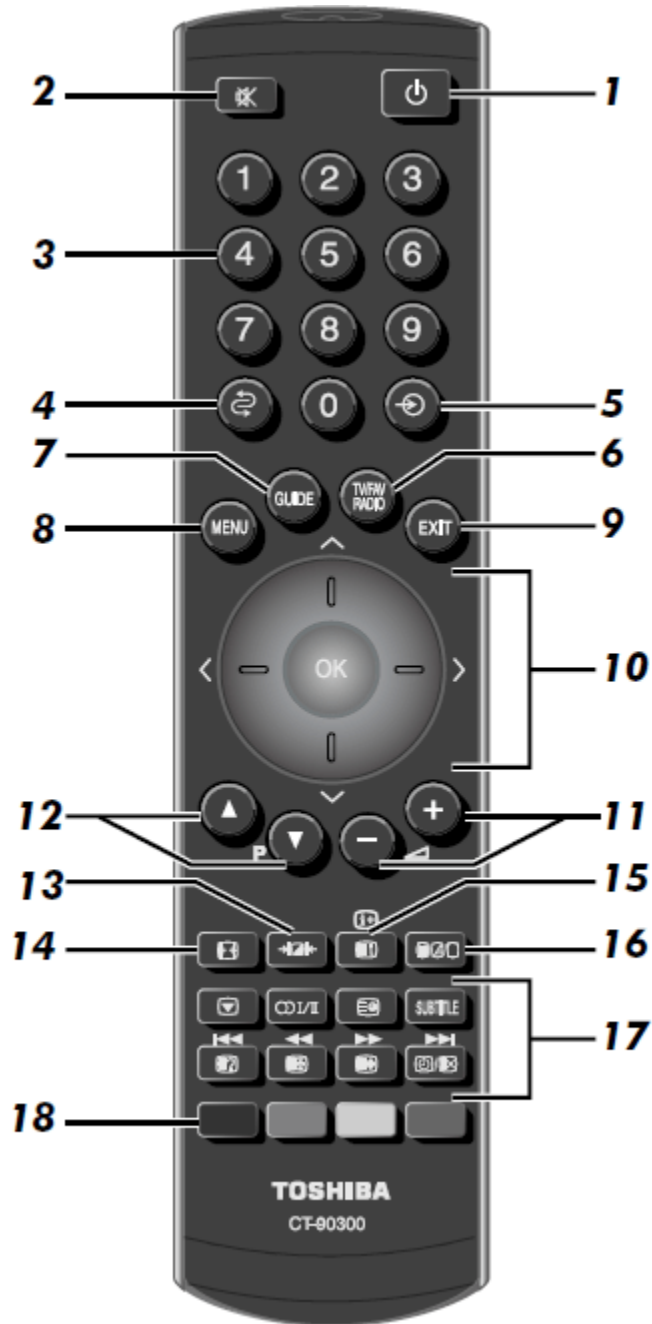
Parts No. :  Search 

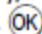

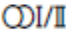

Block	Location	Parts No.	Description	AA	S	M	L		
Packing	<a href="#">A701A</a>	75010966	CARTON BOX, TOP						
Packing	<a href="#">A701B</a>	75010965	CARTON BOX, BOTTOM						
Packing	<a href="#">A702A</a>	75010964	PAD, TOP PACKING						
Packing	<a href="#">A702B</a>	75010963	PAD, BOTTOM PACKING						
Packing	<a href="#">A705</a>	23518043	PACKING, JOINT						

# FUNCTION AND OPERATION


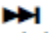


## The Remote Control

Simple at-a-glance reference of your remote control.



- 1 For On/Standby mode
- 2 To mute the sound
- 3 Number buttons
- 4 To return to the previous programme
- 5 To select input from external sources, **analogue** or **digital** TV
- 6 To display TV, Radio and Favourite programme list when in **digital** mode
- 7 To display the **digital** on-screen Programme Guide
- 8 On-screen Menus
- 9 To exit Menus
- 10 When using menus press ^ (up), v (down), < (left) and > (right) to move the cursor on the screen.  to confirm your selection
- 11 To alter the volume
- 12 To change programme positions and text pages
- 13 Selectable picture preferences
- 14 Widescreen viewing
- 15 To display on-screen information
- 16 To call up text services in **analogue** mode and interactive services in **digital** mode
- 17 **When in TV mode:**
  -  Still picture
  -  Stereo/bilingual transmissions
  - SUBTITLE Digital Subtitles
  -  Time display

**When using the Programme Guide:**

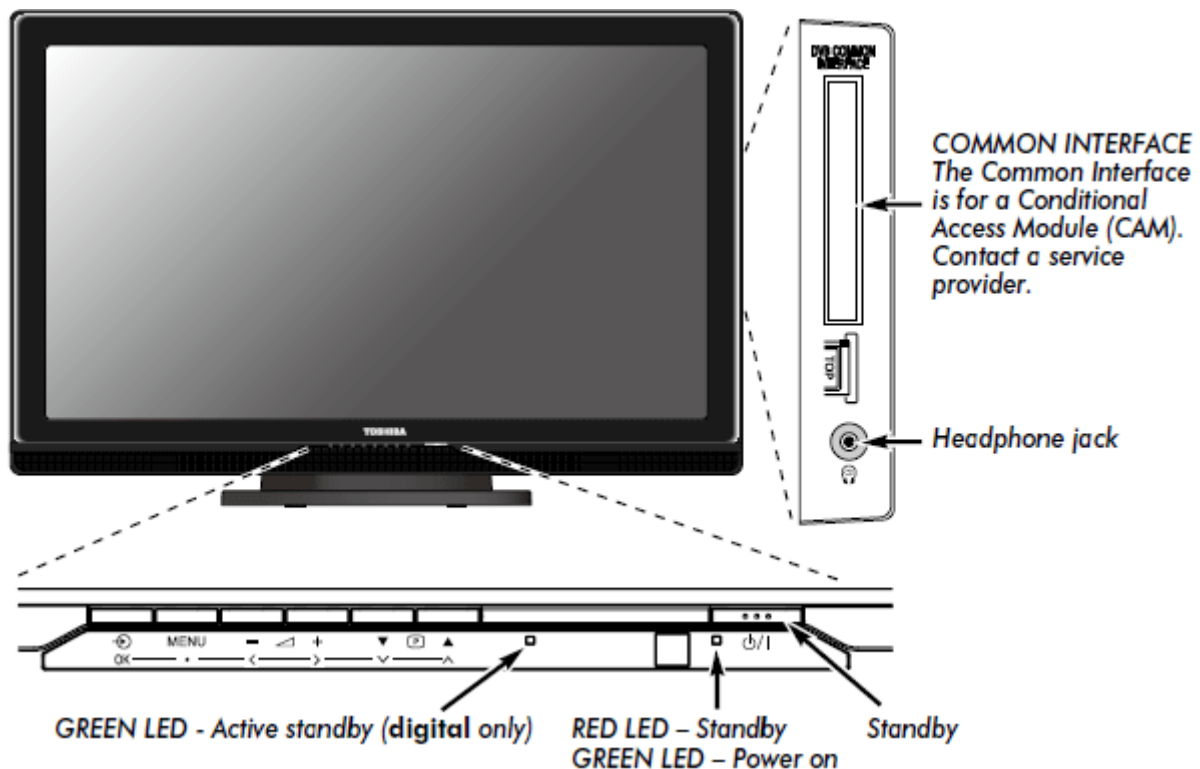
  -  - 24 hours
  -  + 24 hours
  -  - 1 page
  -  + 1 page
- 18 Text and interactive service control buttons



## FUNCTION AND OPERATION

### Using the Controls

Whilst all the necessary adjustments and controls for the television are made using the remote control, the buttons on the television may be used for some functions.




### Switching On

If the RED LED is unlit check that the mains plug is connected to the power supply. If the picture does not appear press ⏻ on the remote control, it may take a few moments. The GREEN LED will be lit.


To put the television into Standby press ⏻ on the remote control. To view the television press ⏻ again. The picture may take a few seconds to appear.

### Using the Remote Control

Press  on the remote control to see the menus.


The menu appears as a list of five topics. As each symbol is selected by pressing < or > on the navigation ring on the remote control, its respective options will appear below.


**NOTE:** The same menu is displayed in DTV (Digital TV) and ATV (Analogue TV) modes; however some items are greyed out in each case.

To use the options, press ^ and v on the remote control to move up and down through them and , < or > to select the required choice. Follow the on-screen instructions. The functions of each menu are described in detail throughout the manual.

## Using the Controls

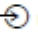
---

To alter the volume press -  +.

To alter the programme position press ▼  ▲.

Press **MENU** and <, >, ^ or v to control the sound and picture options.

Press **MENU** to finish.

To select an external input, press  until the appropriate input source is selected.

*Please always refer to the owner's manual of the equipment to be connected for full details.*

*Please note: Inserting the headphone plug will mute the sound from all speakers.*


# FUNCTION AND OPERATION

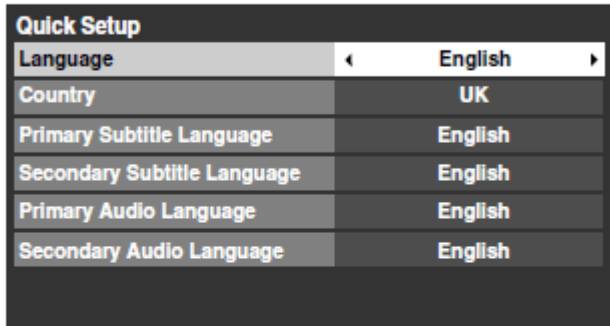
## Startup Application

Before switching on the television put your decoder and media recorder to **Standby** if they are connected.





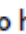





To set up the television use the buttons on the remote control as detailed.

### Quick Setup

- 1 Press the  button. The **Quick Setup** screen will appear. This screen will appear the first time that the television is switched on and each time "**Reset TV**" is executed.

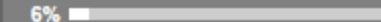



Quick Setup	
Language	English
Country	UK
Primary Subtitle Language	English
Secondary Subtitle Language	English
Primary Audio Language	English
Secondary Audio Language	English

- 2 Press  to highlight **Language** and  or  to select the menu language.
- 3 Press  to highlight **Country** and  or  to select. The television will now tune the stations for your country.
- 4 Press . Use  or  to select **ATV and DTV**, **ATV** or **DTV**. To execute **Auto Tuning** press  again.






The television will start to search for available ATV and/or DTV channels. The progress bar will indicate the scan status.

**You must allow the television to complete the search.**







Auto Tuning		
	Progress	Found
ATV tune	6% 	0
DTV tune	0% 	0
Channel: S41    Station:		


When the search is complete the television will automatically select programme one.

The **Auto Tuning** results screen will display the services that are found.

Auto Tuning			
ATV		DTV	
Prog.	Name		Ch
0	VCR		60
1			2
2			10
3			7
4			40
5			22

- 5** Press < or > to view the **DTV** (digital channel) or **ATV** (analogue channel) lists.

Auto Tuning			
ATV		DTV	
Prog.	Name	Type	Ch
1	BBC ONE		25
2	BBC TWO		25
7	BBC THREE		25
30	CBBC Channel		25
40	BBC NEWS 24		25
51	BBCI		25

- 6** Use  $\downarrow$  or  $\uparrow$  to move through the list to select a programme then press  to view.

**NOTE:** The time will be set automatically by transmission but can be advanced or decreased by up to 3 hours using **Local Time Setting** in the **DTV Settings** menu.

**PLEASE NOTE**

The **Quick Setup** menu can also be displayed at any time from the **SETUP** menu.

## Auto Tuning

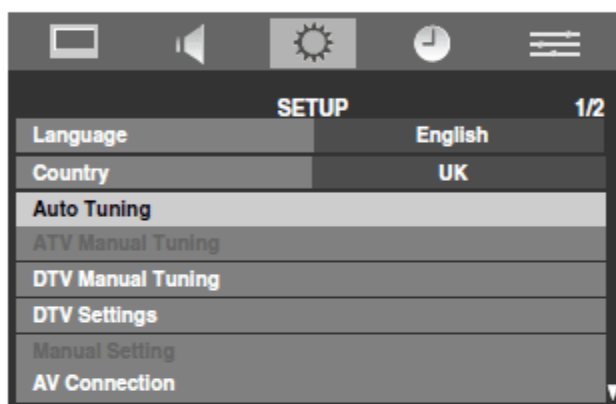
---

**NOTE:** As new services are broadcast it will be necessary to re-tune the television in order to view them.

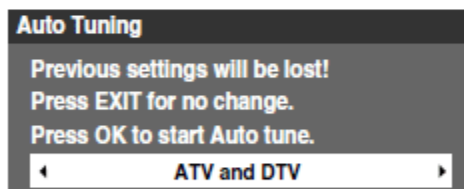
**Auto Tuning** will completely re-tune the television and can be used to up date the channel list.

**It is recommended that Auto Tuning is run periodically to ensure that all new services are added. All current programmes and settings, i.e. favourites and locked programmes, will be lost.**

- 1 Press **MENU** and use < or > to select **SETUP** menu. Use **↓** to highlight **Auto Tuning**. Press **OK**.



- 2 A screen will appear warning that previous programmes and settings will be deleted.



Use < or > to select **ATV and DTV**, **ATV** or **DTV**, then press **OK** to continue with the **Auto Tuning**.

The television will start to search for all available **ATV** and/or **DTV** stations.

**You must allow the television to complete the search.**


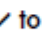

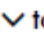
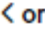
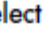
When the search is complete the **Auto Tuning** screen will display the services found.

- 3 Use **↓** or **↑** to move through the list to select a programme then press **OK** to view.

## Auto Programme Update

---

If the **Auto Programme Update** is set to **On**, when the TV is in standby mode, the Digital Tuning is automatically executed and new programmes are memorized.

- 1** Press , and select **SETUP** menu.
- 2** Use  to highlight **DTV Settings** and press .
- 3** Press  to select **Auto Programme Update** and use  or  to select **On**.

## Analogue switch-off

---

This is a **digital** television which is integrated to allow the use of both **digital** and **analogue** services. However, during the lifetime of this set it is very likely that **analogue** services will be switched off to allow for more new **digital** services.

This 'switch-off' will happen in a number of phases, which will be advertised in your area well in advance. It is recommended that at each phase the television is re-tuned to ensure that existing and new **digital** services can be viewed without disruption.

# FUNCTION AND OPERATION

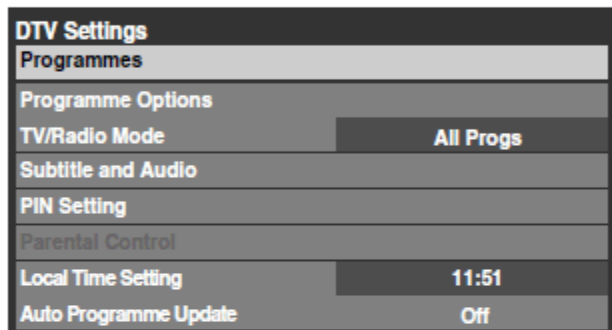
## DTV Settings

### Programmes

---

The station order may be changed to suit your personal preference.

- 1 Press **(MENU)**, and select **SETUP** menu.
- 2 Use **∨** to highlight **DTV Settings** and press **(OK)**.
- 3 Select **Programmes** from the **DTV Settings** menu and press **(OK)**.




- 4 With the list of stations now showing use **∨** or **∧** to highlight the station you want to move and press **(OK)**.



- 5 Use **∨** or **∧** to move through the list to your preferred position. As you do so the other stations will move to make room.



- 6 Press **OK** to store your move. Repeat as necessary, then press **EXIT**.

The Skip setting for the highlighted programme can be switched between "Set/Not Set" by pressing the **RED** button on the remote control. This feature allows you to set channels that will be skipped when **P▼** or **P▲**. However, these channels will still be available by direct number entry (when tuned a  icon will be displayed in the banner to indicate as a skipped channel).

Prog.	Name		Type
1	BBC ONE		<input type="checkbox"/>
7	BBC THREE		<input type="checkbox"/>
30	CBBC Channel		<input type="checkbox"/>
2	BBC TWO		<input checked="" type="checkbox"/>
40	BBC NEWS 24		<input type="checkbox"/>
51	BBCI		<input type="checkbox"/>

## DTV Manual Tuning

---

*This feature is available for service engineers or can be used for direct channel entry if the multiplex channel is known.*

- 1** Select **DTV Manual Tuning** from the **SETUP** menu and press **OK**.
- 2** Enter the multiplex number using the number buttons or use **<** or **>** to adjust the number up or down and then press **OK**. The television will automatically search for that multiplex.



The screenshot shows the 'DTV Manual Tuning' interface. At the top, it displays 'UHF Crystal Palace' and the multiplex number '25'. Below this is a signal strength indicator with 'WEAK' and 'STRONG' labels, and a 'Quality' indicator showing 'Good'. A summary line indicates '0 new programmes - total 13'. A table lists the new programmes found:

New Prog.	Name	Type
1	BBC ONE	<input type="checkbox"/>
2	BBC TWO	<input type="checkbox"/>
7	BBC THREE	<input type="checkbox"/>
30	CBBC Channel	<input type="checkbox"/>
40	BBC NEWS 24	<input type="checkbox"/>

When the multiplex is found any channels that are not currently on the programme list will be added and the programme information at the top of the screen will be updated.

- 3** Repeat as necessary. Press **EXIT** to finish.

# **FUNCTION AND OPERATION**

---

## **ATV Manual Tuning**

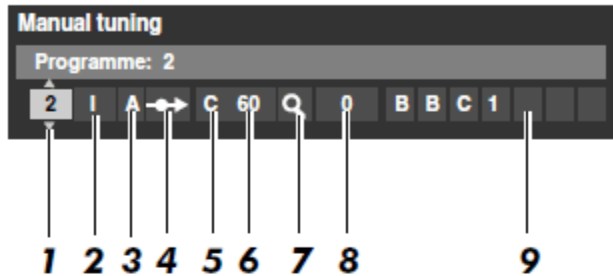
---

### **Tuning**

---

The television can be tuned-in manually using **ATV Manual Tuning**. For example: if the television cannot be connected to a media recorder/decoder with a SCART lead or to tune-in a station on another **System**.

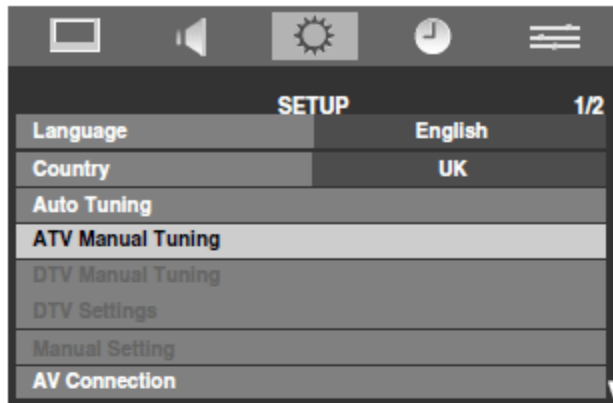
Use < and > to move across the screen and select any of the ATV Manual Tuning options. Then use ^ or v to adjust the settings.



- 1 Programme:**  
The number to be pressed on the remote control to tune the programme.
- 2 System:**  
Specific to certain areas.
- 3 Colour System:**  
Factory set to Auto, should only be changed if problems are experienced, i.e. NTSC input from external source.
- 4 Skip:**  
•→ means skip OFF.  
◐→ means nothing has been stored or the facility to skip the channel is ON.
- 5 Signal Class:**  
The channel classification.
- 6 Channel:**  
The channel number on which a station is being broadcast.
- 7 Searching:**  
Search up and down for a signal.
- 8 Manual fine tuning:**  
Only used if interference/weak signal is experienced.
- 9 Station:**  
Station identification. Use the ^ or v and < or > buttons to enter up to seven characters.

To allocate a programme position on the television for a decoder and media recorder: turn the decoder on, insert a pre-recorded film in the media recorder and press PLAY, then manually tune.

- 1 Press **MENU** and using **<** or **>** select the **SETUP** menu. With **∨** highlight **ATV Manual Tuning** and press **OK** to select.

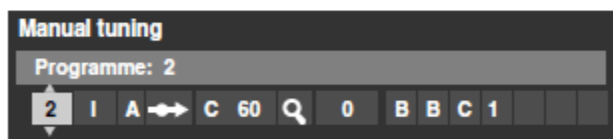


- 2 Use **∧** or **∨** to highlight the programme position required e.g. we suggest **Prog. 0** for a media recorder.

Manual Tuning		
Prog.	Channel	Station
2	C60	BBC1
3	S23	C-23
4	C27	C-27
5	S31	S-31
6	C35	C-35
7	C40	C-40
8	C50	C-50
9	C65	C-65

Different **Channel** numbers may be displayed.

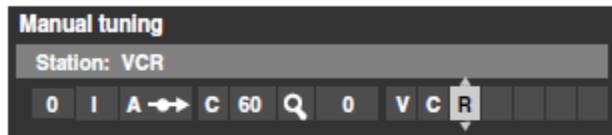
- 3 Press **OK** to select. If the programme is skipped, **Skip** must be removed before storing.



- 4 Press **>** to select **System** and use **∧** or **∨** to change if required.
- 5 Then press **>** to select **Searching**.
- 6 Press **∧** or **∨** to begin the search. The search symbol will flash.

Manual tuning

- 7** Each signal will show on the television, if it is not your media recorder, press  $\wedge$  or  $\vee$  again to restart the search.
- 8** When your media recorder signal is found, press  $\>$  to move along to **Station**. With  $\wedge$ ,  $\vee$ ,  $\lt$  and  $\gt$  put in the required characters, e.g. **VCR**.



- 9** Press  $\text{OK}$  to store.
- 10** Repeat for each **programme position** you want to tune or, press  $\text{MENU}$  to return to the list of channels and select the next number to tune.
- 11** Press  $\text{EXIT}$  when you have finished.

#### To name external equipment:

- 12** To name external equipment, e.g. DVD on EXT2, press  $\text{EXT}$  to select  $\text{EXT}2$ , then select **Manual Setting** from the **SETUP** menu.
- 13** Press  $\>$  to select **Label** then using  $\wedge$ ,  $\vee$ ,  $\lt$  and  $\gt$  put in the required characters.



#### PLEASE NOTE

This television has direct channel entry if the channel numbers are known.  
 Select the **ATV Manual Tuning** screen in **Step 3**.  
 Enter the **Programme number**, the **System**, then **C** for standard (terrestrial) channels or **S** for cable channels and the **Channel number**. Press  $\text{OK}$  to store.



# FUNCTION AND OPERATION

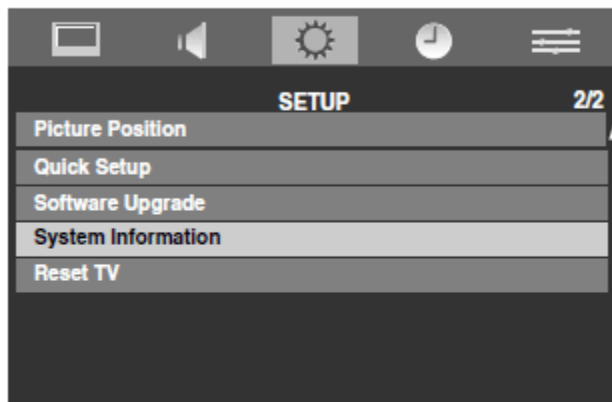
## Software Upgrade

### Version

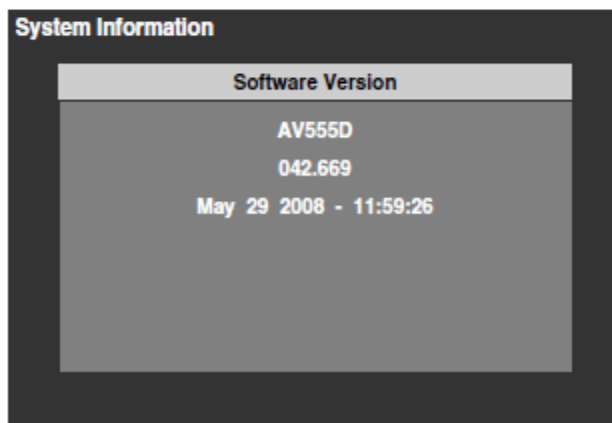
---

*This feature can be used to check the version of software currently installed.*

- 1 From the **SETUP** menu press  $\wedge$  or  $\vee$  to select **System Information**.



- 2 Press **OK** to display the **Software Version**.



### Auto Upgrade

---



When **Auto Upgrade** is set to **On** (default setting), the television will automatically upgrade while in standby if new software is available.

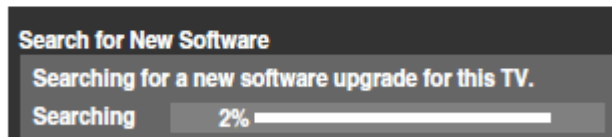
- 1 From the **SETUP** menu press  $\wedge$  or  $\vee$  to select **Software Upgrade** and press  $\text{OK}$ .
- 2 Press  $\vee$  to select **Auto Upgrade**.
- 3 Use  $\langle$  or  $\rangle$  to select **On** or **Off**.

## Searching for New Software

---

If preferred, software upgrades can be searched for manually using **Search for New Software**.

- 1 In the **Software Upgrade** menu press  $\wedge$  or  $\vee$  to select **Search for New Software**.
- 2 Press  $\text{OK}$ . The television will automatically start searching for a software upgrade, the progress bar will move along the line.



If an upgrade is found the television will automatically start downloading. If not, a screen will appear stating that an upgrade is unavailable.

## Reset TV

---

Selecting **Reset TV** will reset all TV settings, including stored channels, to their original factory values.

- 1 In the **SETUP** menu press  $\vee$  until **Reset TV** is highlighted.
- 2 Press  $\text{OK}$  to select. A screen will appear warning that all settings will be lost. Press  $\text{OK}$  to continue.

When the set powers back on, the **Quick Setup** screen will appear. Press  $\text{OK}$  to continue, the television will then auto tune.



# SPECIFICATION

DVB-T Broadcast systems/channels		Broadcast systems/channels	
UK	UHF 21-68	PAL-I	UHF UK21-UK69
France	VHF 05-10 (VHF 01-05) UHF 21-69	PAL-B/G	UHF E21-E69 VHF E2-E12, S1-S41
Germany	VHF 05-12 UHF 21-69	SECAM-L	UHF F21-F69 VHF F1-F10, B-Q
Austria	VHF 05-12 UHF 21-69	SECAM-D/K	UHF R21-R69 VHF R1-R12
Switzerland	VHF 05-12 UHF 21-69		
Italy	VHF 05-12 (D,E,F,G,H,H1,H2) UHF 21-69		
Spain	UHF 21-69		
Netherlands	VHF 05-12 UHF 21-69		
Sweden	VHF 05-12 UHF 21-69		
Finland	VHF 05-12 UHF 21-69		
Greece	VHF 05-12 UHF 21-69		

**Video Input** PAL, SECAM, NTSC 3.58/4.43

## External connections

EXT1	Input/Output	21-pin SCART	RGB, A/V
EXT2	Input/Output	21-pin SCART	A/V, S-video
EXT3	Input	Phono jacks Phono jacks	Y, P <sub>B</sub> /C <sub>B</sub> , P <sub>R</sub> /C <sub>R</sub> Audio L + R
EXT4	Input	Phono jack Phono jacks	Video Audio L + R
HDMI 1/2	Input	HDMI™ (Audio LIP SYNC supported)	
HDMI1 Audio		Phono jacks	Audio L + R

<b>Stereo</b>		Nicam 2 carrier system
<b>Visible Screen Size</b> (approx.)	Model	32 80cm 37 94cm 42 107cm
<b>Display</b>		16:9
<b>Sound output</b> (at 10% distortion)		Main 10W + 10W
<b>Power consumption</b> as specified in EN60107-1 : 1997	Model	32 112W 37 149W 42 195W
<b>Standby (approx.)</b>	Model	32 0.9W 37 0.9W 42 0.9W
<b>Dimensions</b> (approx.)	Model	32 55cm (H) 80cm (W) 22cm (D) 37 62cm (H) 91cm (W) 25cm (D) 42 68cm (H) 101cm (W) 26cm (D) <i>(Height dimension includes foot stand)</i>
<b>Weight (approx.)</b>	Model	32 14.0 kg 37 18.0 kg 42 20.0 kg
<b>Headphone socket</b>		3.5mm stereo
<b>Operating condition</b>		Temperature 5°C - 35°C (41°F - 94°F) Humidity 20 - 80% (non-condensing)
<b>Accessories</b>		Remote control 2 batteries (AAA, IEC R03 1.5V)