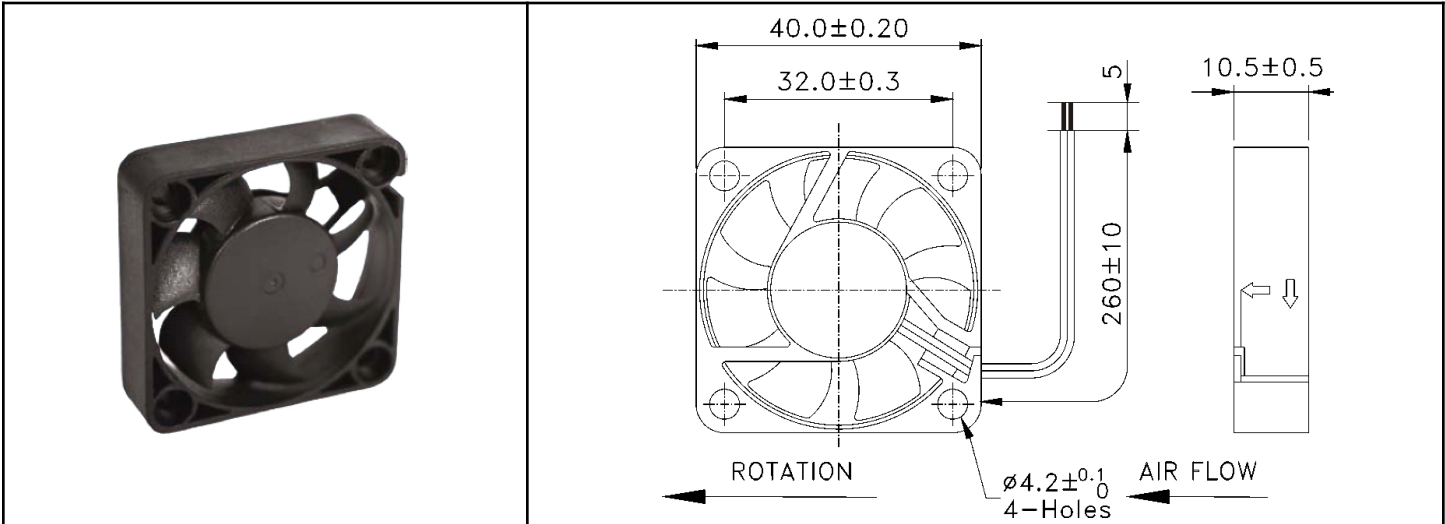


OD4010 Series



DC Fan - 12, 24V
40x10mm (1.58"x 0.39")



Frame & Impeller	PBT, UL94V-O plastic	Available Options: Sleeve Bearing Ball Bearing Tachometer Alarm 5V <u>Life Expectancy (L10)</u> 50,000+ hrs <u>Operating Temperature</u> -10 ~ 70C	
Connection	2x Lead wires 26AWG red(+) black (GND)		
Motor	Brushless DC, auto restart, impedance and polarity protected		
Bearing System	Sealed Sleeve		
Insulation Resistance	10M ohm between leadwire and frame (500VDC)		
Dielectric Strength	1 second at 500 VAC, max leakage - 500 MicroAmp		
Storage Temperature	-30C ~ +90C		

Model Number	OD4010-12HSS	OD4010-24HSS
Part Number	141143001	141243001
Nominal Voltage	12 VDC	24 VDC
Nominal Current	0.10A	0.09A
Rated Power	1.2W	1.4W
Rated Speed (RPM)	6000	6000
Airflow (CFM)	6.7	6.7
Noise Level (dB)	25	25
Max. Static Pressure	0.10" H2O	0.10" H2O