

Customer Information Sheet

DRAWING No.: D01-997XX42

SHEET 2 OF 2

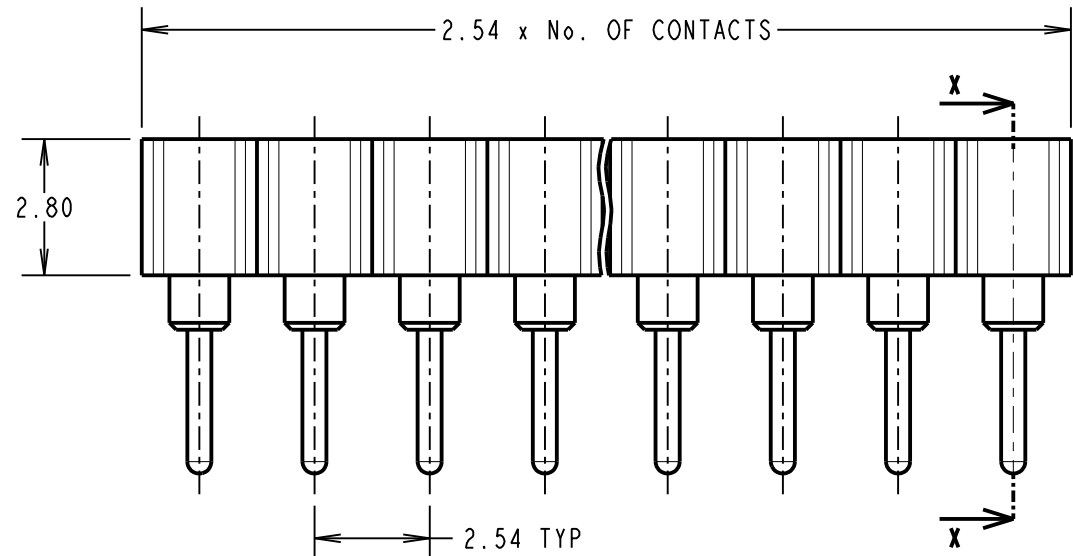
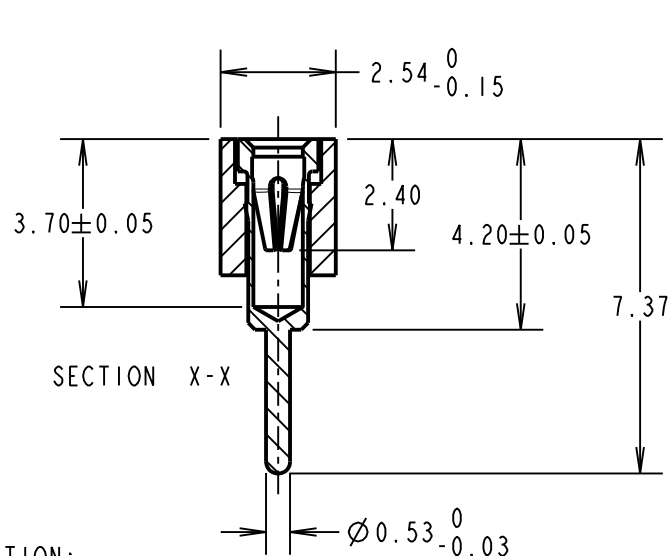
IF IN DOUBT - ASK

Ⓒ

NOT TO SCALE

THIRD ANGLE PROJECTION

ALL DIMENSIONS IN mm



SPECIFICATION:

MATERIAL:

CARRIER = GLASS FILLED PCT, BLACK, UL94V-0
 SHELL = BRASS
 CONTACT = BERYLLIUM COPPER

FINISH:

SHELL = 5µ 100% TIN OVER NICKEL
 CLIP = GOLD FLASH OVER NICKEL

ELECTRICAL:

CURRENT RATING = 1A
 CONTACT RESISTANCE = 10 MILLIOHMS MAX
 INSULATION RESISTANCE = 10000 MEGOHMS MIN
 DIELECTRIC WITHSTANDING = 1000V AC

MECHANICAL:

INSERTION FORCE (Ø0.46mm GAUGE) = 5N MAX
 WITHDRAWAL FORCE (Ø0.46mm GAUGE) = 0.5N MIN
 DURABILITY = 500 CYCLES MIN.

ENVIRONMENTAL:

TEMPERATURE RANGE = -55°C TO +125°C

NOTES:

1. RECOMMENDED PCB SIZE = 1.4-2.0mm
2. RECOMMENDED PIN SIZE = Ø0.40-0.56mm
3. RECOMMENDED PCB HOLE SIZE = Ø0.8mm

ORDER CODE:

D01-997XX42

No. OF CONTACTS: _____
 01 TO 32, 48, 64

FINISH: _____
 GOLD CLIP, 100% TIN SHELL

SB	11	18.03.13	11980
NAME	ISS.	DATE	C/NOTE
APPROVED: S.BENNETT			
CHECKED: S.FLOWER			
DRAWN: D.BECK			
CUSTOMER REF.:			
ASSEMBLY DRG:			

HARWIN

www.harwin.com
 technical@harwin.com

THIS DRAWING AND ANY INFORMATION OR DESCRIPTIVE MATTER SET OUT HEREON ARE CONFIDENTIAL AND COPYRIGHT PROPERTY OF THE HARWIN GROUP AND MUST NOT BE DISCLOSED, LOANED, COPIED OR USED FOR MANUFACTURING, TENDERING OR FOR ANY OTHER PURPOSE WITHOUT THEIR WRITTEN PERMISSION.

TOLERANCES

X. = ±1mm
 X.X = ±0.25mm
 X.XX = ±0.10mm
 X.XXX = ±0.01mm

ANGLES = ±5°
 UNLESS STATED

MATERIAL:

SEE ABOVE

FINISH: SEE ABOVE

S/AREA: mm²

TITLE:

SIL THROUGH SOCKET CONNECTOR

DRAWING NUMBER:

D01-997XX42

SHT
 2 OF 2