

### Specifications

Insulation Resistance:	1,000MΩ min. at 500V DC
Withstanding Voltage:	500V ACrms for 1 minute
Contact Resistance:	100mΩ at 1mA / 20mV max.
Voltage Rating:	250Vrms AC
Current Rating:	0.5A
Operating Temp. Range:	-25°C to +85°C
Coplanarity:	≤ 0.1mm
Mating Cycles:	10,000 (office environment)

### Part Number (Details)

**FPS 009 - 2305 - 0**

Series No.

Number of Contacts

Design No.

0 = Tape & Reel Packaging

### Materials and Finish

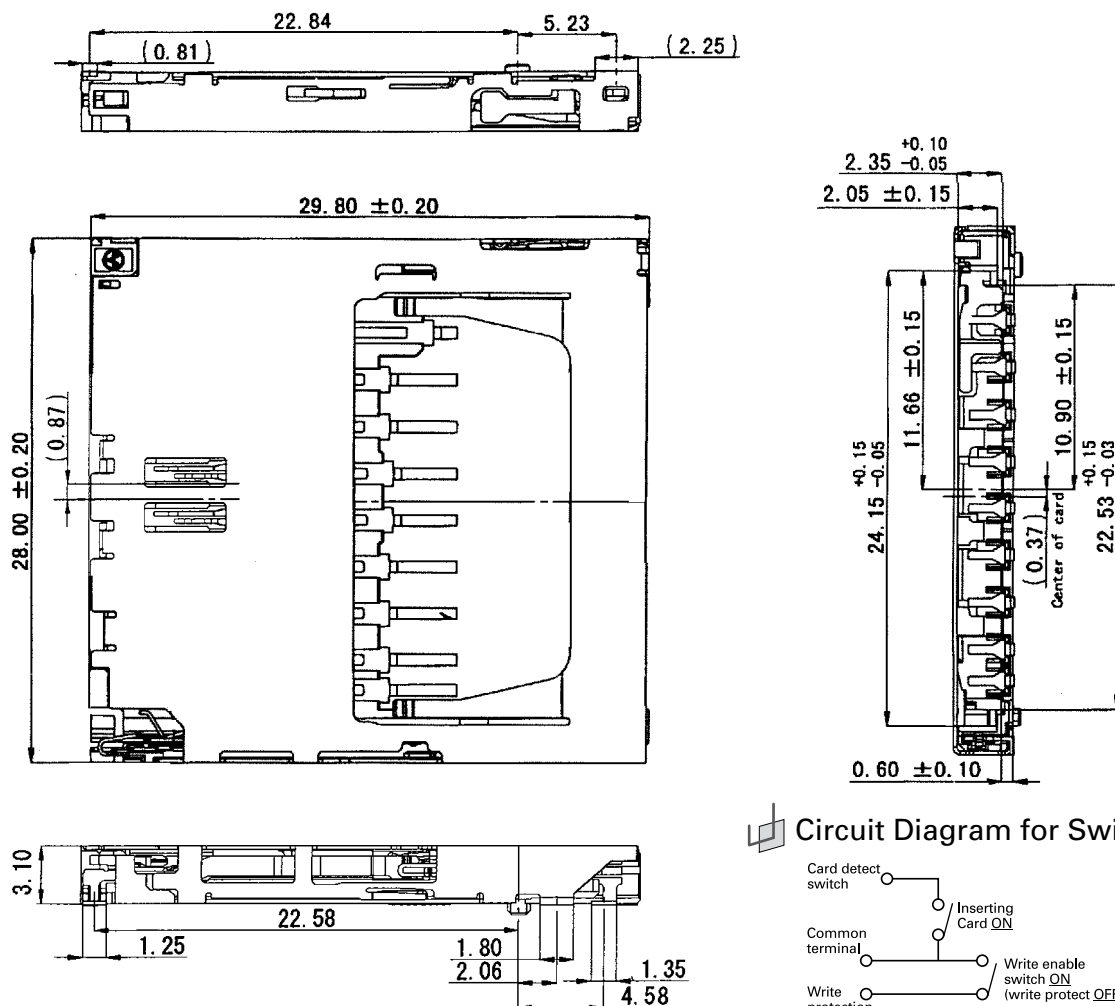
Insulator:	LCP glass filled (GF 40%)
Shielding Plate:	SUS, t = 0.20
Contacts:	PB, t = 0.15 / Contact area = Ni-Au / Solder Tails = Ni-SnCu



### Features

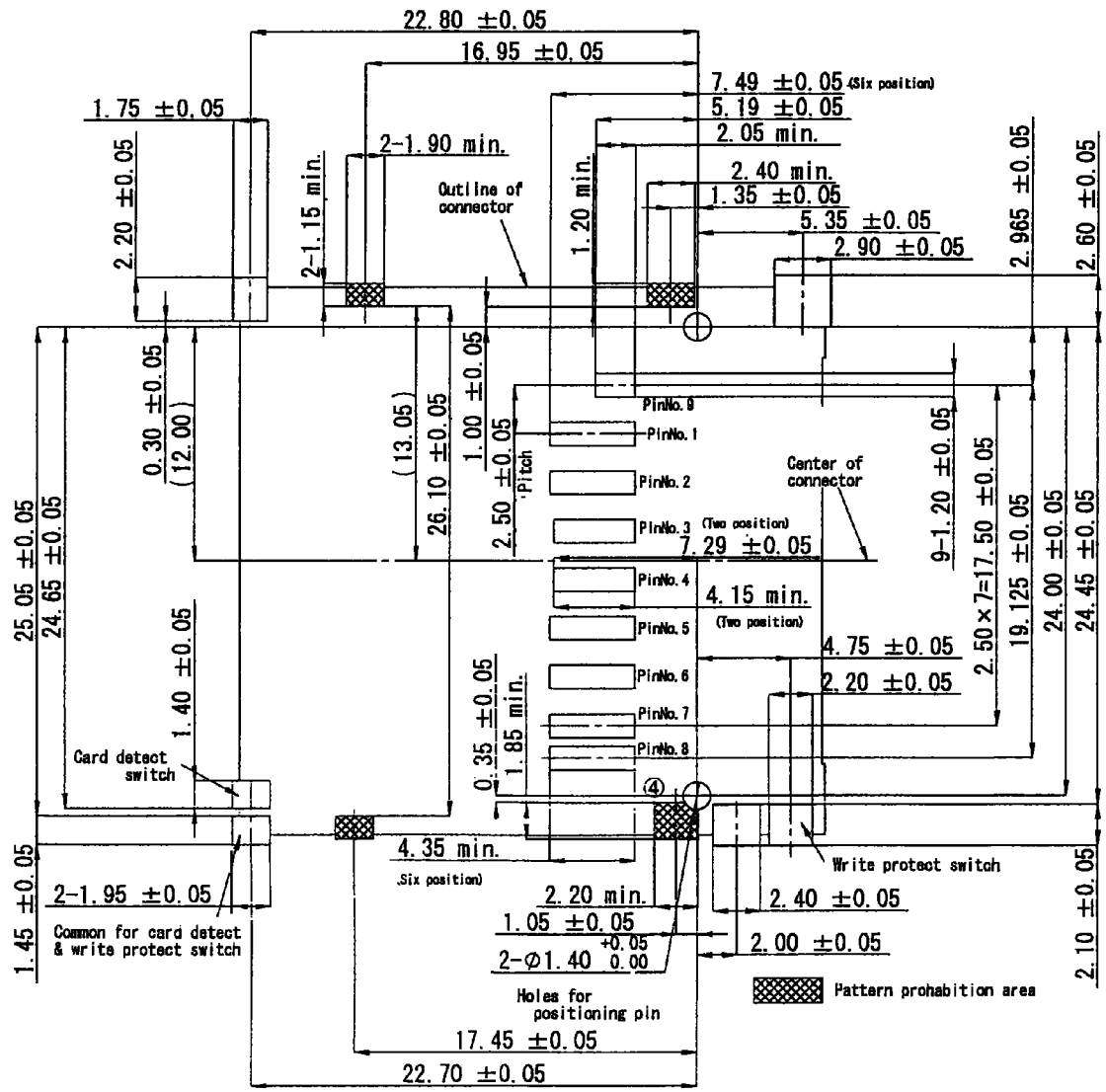
- Connector for both card types (MMC and SD card)
- Smooth extraction function by Push-in/ Push-out of card
- Soft lock mechanism for SD card
- Tape & Reel packaging (500 pcs per reel)
- Card detector and Write protection switch
- Mechanism to avoid fling-off with the Card
- Small size (Ht. 3.1 x W. 28.0 x L. 29.8)
- 2-point contact, protection against electrical interruption

### Outline Dimensions



Recommended PCB Layout for FPS009-2305-0

Top View



Card Insertion Details

