

PART NUMBER: MAH17

DESCRIPTION: absolute encoder

ELECTRICAL SPECIFICATIONS

output signals	G: gray code, N: natural binary, B: BCD (1000ppr only)
output circuit	NPN open collector
logic	negative logic (H=0, L=1)
current consumption	70mA or less (under no load)
frequency response	20 KHz
supply voltage	5 V dc \pm 5%
output resolution (ppr)	256 (8 bit), 512 (9 bit), 100, 1024 (10 bit)
max ouput current	sink current each bit 4mA (output voltage resistance 7V)

MECHANICAL SPECIFICATIONS

max shaft loading, radial:	1.9N (200gf)
thrust:	1.9N (200gf)
max rotational speed	6000 RPM
shock resistance	500m/s ² (50g), X, Y, Z each 3 times
vibration proof	55 Hz / 1.5mm 2h each X, Y, Z
weight	30g (with cable)
cable	256: outside diameter 3mm, 10-core vinyl wire insulated shield cable (length 1m) 1024: vinyl wire (AWG32) cable length 300mm

ENVIRONMENTAL SPECIFICATIONS

operating temp	-10° to +70° C
storage temp	-20° to +80° C
humidity	RH 35%~ 90%, non collecting

ORDERING INSTRUCTIONS

MAH17 - XXXX - X1

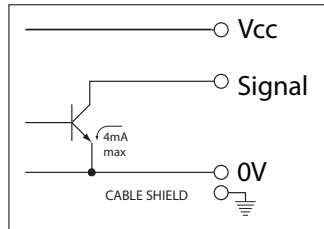
Resolution (PPR):
 256 = 256 PPR
 512 = 512 PPR
 1000 = 1000 PPR
 1024 = 1024 PPR

Output Type:
 G = Gray Code
 N = Natural Binary
 B = BCD (1000ppr only)

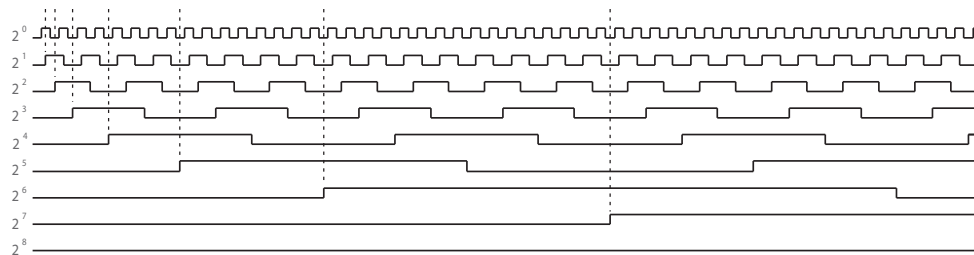
PART NUMBER: MAH17

DESCRIPTION: absolute encoder

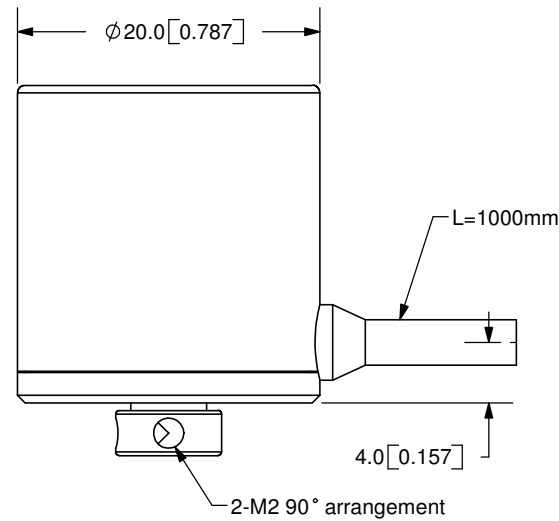
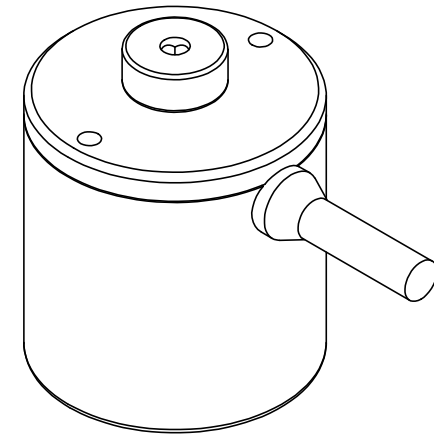
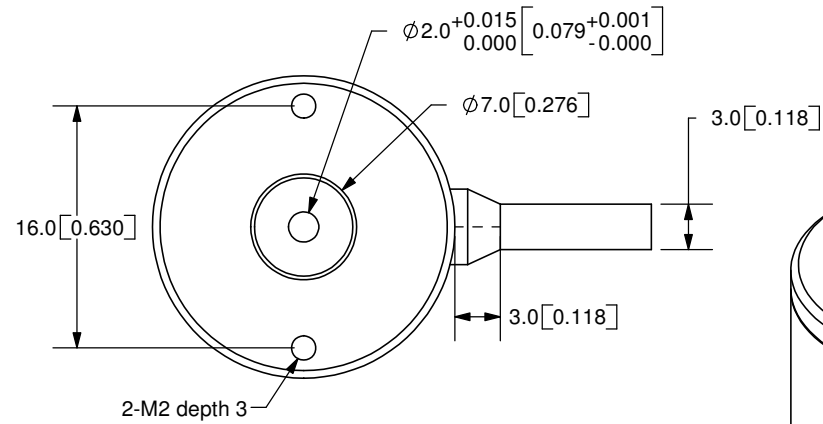
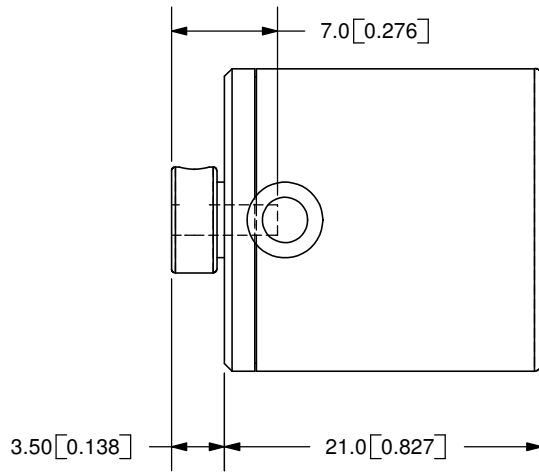
CIRCUIT CONNECTIONS



OUTPUT WAVEFORM



REV.	DESCRIPTION	DATE
A	NEW DRAWING	7/30/2007



TOLERANCE:
±0.3mm UNLESS OTHERWISE
SPECIFIED



20050 SW 112th Ave.
Tualatin, OR 97062
Phone: 503-612-2300
800-275-4899
Fax: 503-612-2383
Website: www.cui.com

TITLE: Incremental Encoder		REV: A
PART NO. MAH17		UNITS: MM [INCHES]
DRAWN BY: JMS	APPROVED BY:	SCALE: 2:1

Cable Color	Black	Red	Brown	Brown/Black	Orange	Orange/Black	Yellow	Yellow/Black
Output Type	0V	Power	2 ⁰	2 ¹	2 ²	2 ³	2 ⁴	2 ⁵
Cable Color	Green	Green/Black	Blue	Blue/Black	-	-	-	-
Output Type	2 ⁶	2 ⁷	2 ⁸	2 ⁹	-	-	-	-

PC FILE NAME:
MAH17

COPYRIGHT 2007
BY CUI INC.