

KR Electronics, Inc.

General Description

KR 2416-32 is a 32 MHz lowpass filter. Other passband frequencies are available. Please consult the factory.



Features

- Surface Mount Package
- Sharp 1.48:1 Transition to Stopband
- 50 dB Stopband
- 50 Ω Source and Load

Typical Performance

Overall Response (10 dB/div)



KR Electronics, Inc.
91 Avenel Street
Avenel, NJ 07001

Web www.krfilters.com
Email sales@krfilters.com
Phone (732) 636-1900
Fax (732) 636-1982

Typical Performance

Passband Amplitude & Group Delay (0.5 dB/div & 10 nsec/div)

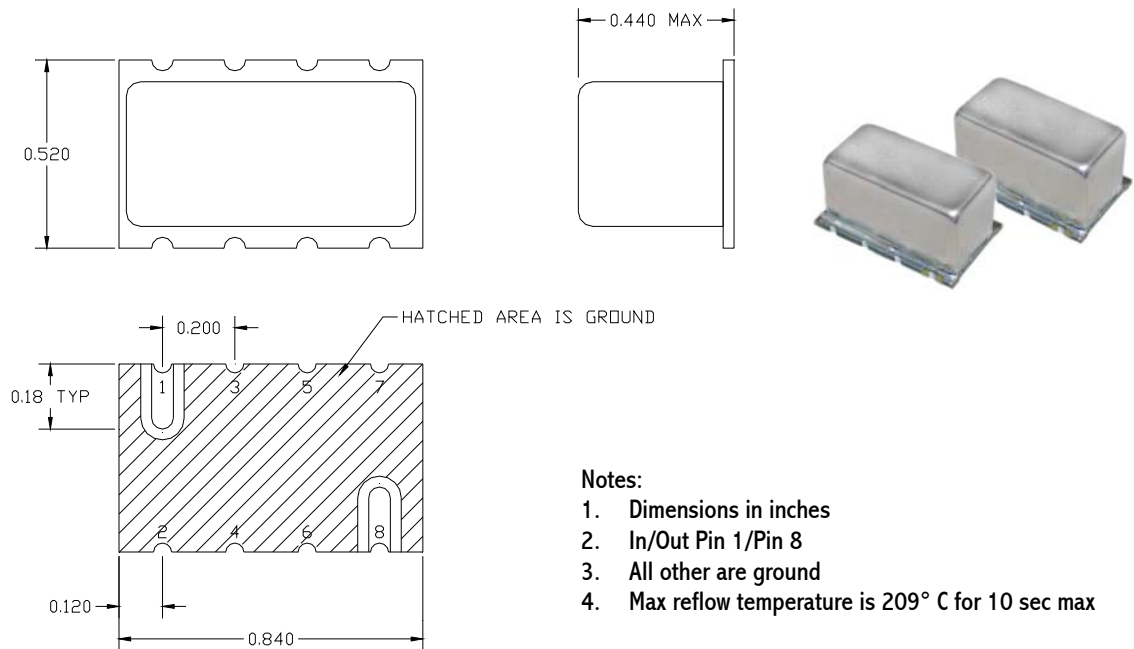


KR Electronics, Inc.

Specifications

Parameter	Specification	
Part Number	2416-32	
Filter type	Lowpass	
End of Passband (< 3 dB)	32 MHz	Typical < 1 dB
Start of Stopband	47.36 MHz	
Stopband Attenuation	> 50 dB	
Source & Load	50 Ω	

Physical Dimensions



KR Electronics, Inc.
91 Avenel Street
Avenel, NJ 07001

Web www.krfilters.com
Email sales@krfilters.com
Phone (732) 636-1900
Fax (732) 636-1982