

PLEASE CHECK WWW.MOLEX.COM FOR LATEST PART INFORMATION

Part Number: [0878681601](#)
Status: **Active**
Description: 1.60mm (.063") Pitch Board-to-Board Panel Detachable, PCB Receptacle, Right Angle, 16 Circuits, Gold (Au) Plating, Lubrication, Tray Packaging, Lead-free

Documents:

[3D Model](#) [Product Specification PS-87868-004 \(PDF\)](#)
[Drawing \(PDF\)](#) [RoHS Certificate of Compliance \(PDF\)](#)

General

Product Family	PCB Receptacles
Series	87868
Application	Board-to-Board
Comments	Panel Detachable
Product Name	N/A

Physical

Circuits (Loaded)	16
Durability (mating cycles max)	10,000
Glow-Wire Compliant	No
Lock to Mating Part	None
Material - Metal	Copper Alloy
Material - Plating Mating	Gold
Number of Rows	2
Orientation	Right Angle
PC Tail Length (in)	0.138 In
PC Tail Length (mm)	3.50 mm
PCB Locator	Yes
PCB Retention	Yes
PCB Thickness Recommended (in)	0.062 In
PCB Thickness Recommended (mm)	1.60 mm
Packaging Type	Tray
Pitch - Mating Interface (in)	0.063 In
Pitch - Mating Interface (mm)	1.60 mm
Polarized to Mating Part	No
Polarized to PCB	Yes
Stackable	No
Surface Mount Compatible (SMC)	Yes
Temperature Range - Operating	-30°C to +85°C
Termination Interface: Style	Through Hole

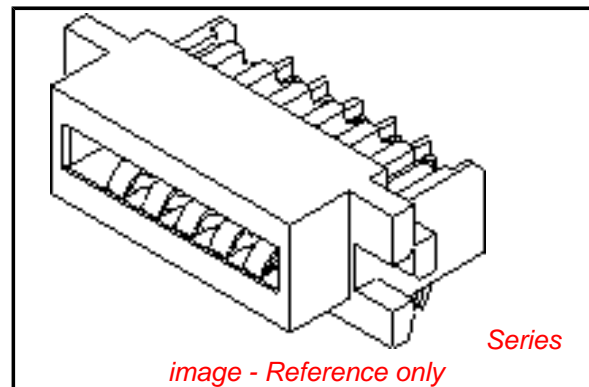
Electrical

Current - Maximum per Contact	1A
Voltage - Maximum	125V

Material Info

Reference - Drawing Numbers

Product Specification	PS-87868-004, RPS-87868-007
Sales Drawing	SD-87868-007



EU RoHS

ELV and RoHS Compliant
REACH SVHC
Contains SVHC: No
Halogen-Free
Status
Not Reviewed

China RoHS



Need more information on product environmental compliance?

Email productcompliance@molex.com
 For a multiple part number RoHS Certificate of Compliance, [click here](#)

Please visit the [Contact Us](#) section for any non-product compliance questions.

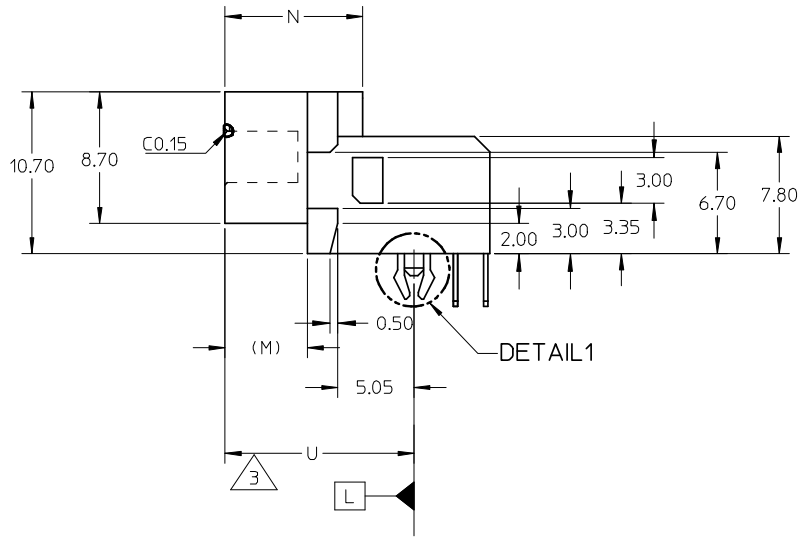
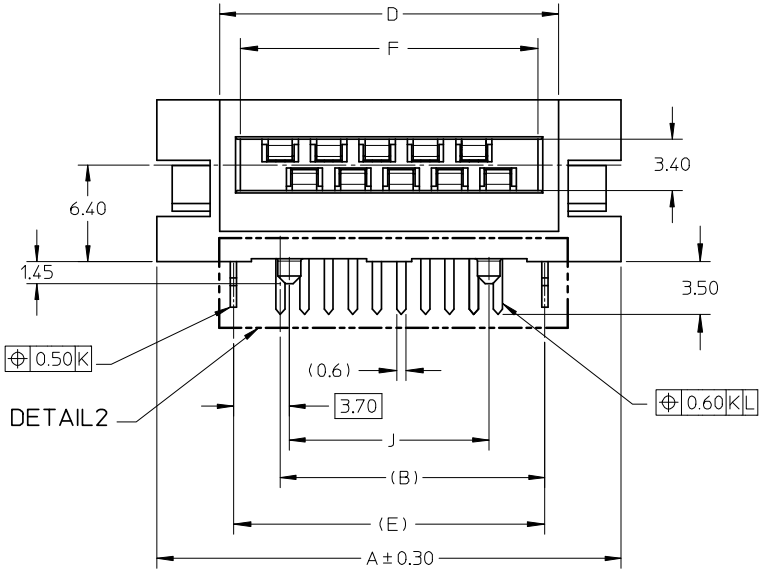
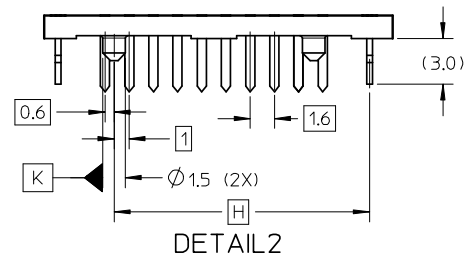
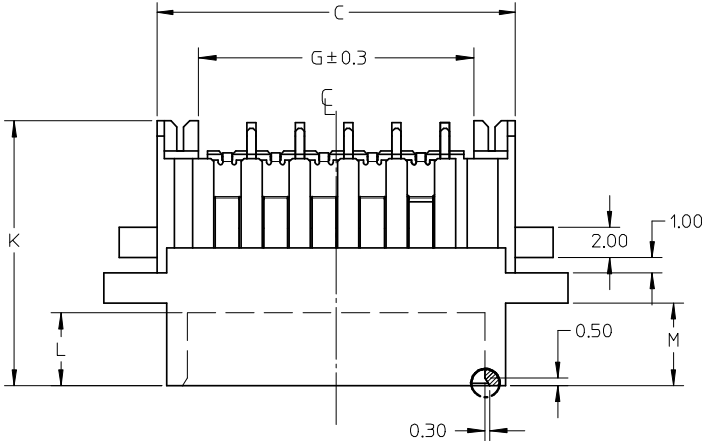
Search Parts in this Series

[87868Series](#)

Mates With

[87869 PCB Header](#)

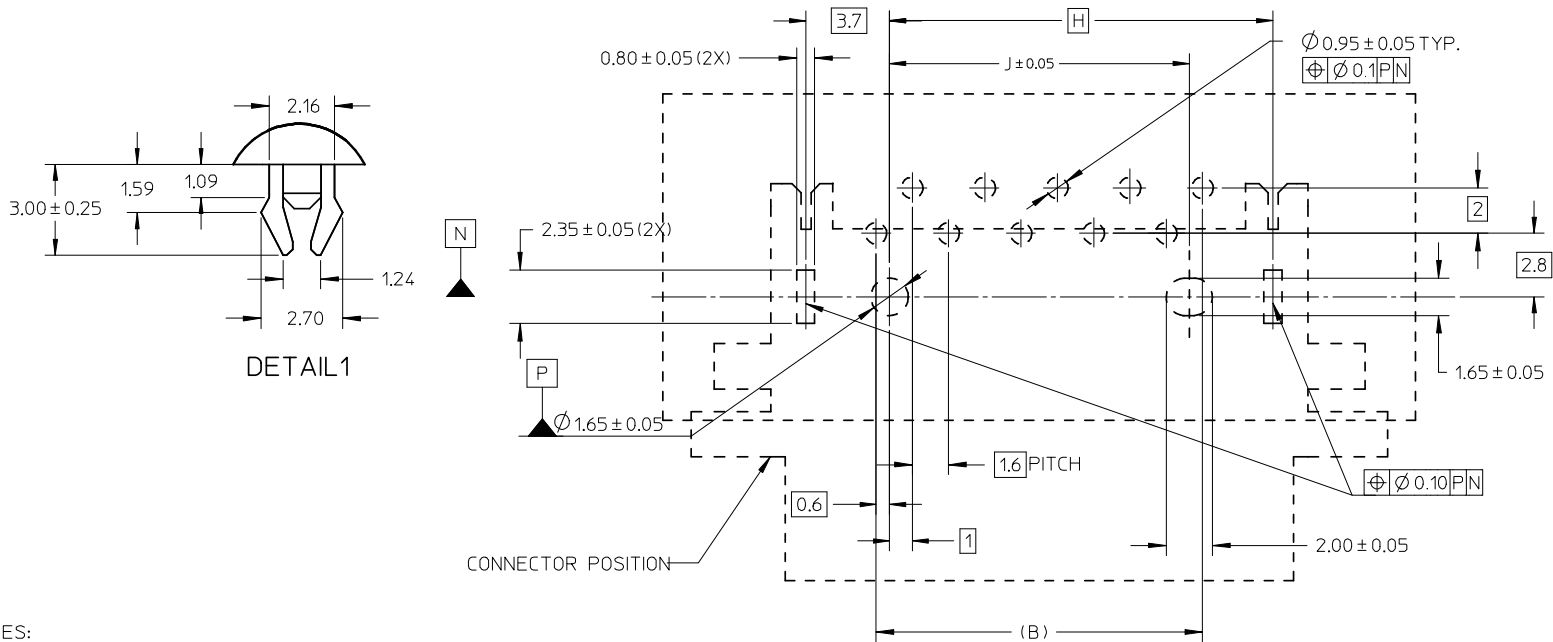
10 9 8 7 6 5 4 3 2 1



INITIAL RELEASE EC NO: S2008-0879 DRWN:CGOH 2008/04/17 CHKD:KHLIM 2008/04/18 APPR:BOKOK 2008/04/18	DESCRIPTION REV	QUALITY SYMBOLS	GENERAL TOLERANCES (UNLESS SPECIFIED)	DIMENSION STYLE	SCALE	DESIGN UNITS	THIRD ANGLE PROJECTION		
		▼=0 ∇=0	mm INCH 4 PLACES ± --- ± --- 3 PLACES ± --- ± --- 2 PLACES ± 0.20 ± --- 1 PLACE ± 0.25 ± --- ANGULAR ± 1 °	MM ONLY	NTS	METRIC			
			DRAWN BY: CGOH DATE: 2008/03/26	TITLE			1.6 PANEL DETACHABLE TYPE RECEPTACLE CONNECTOR MOLEX INCORPORATED		
			CHECKED BY: KHLIM DATE: 2008/04/17	APPROVED BY: BOKOK DATE: 2008/04/18					
		DRAFT WHERE APPLICABLE MUST REMAIN WITHIN DIMENSIONS		SIZE: A3	DOCUMENT NO. SD-87868-007		SHEET NO. 1 OF 3		
				THIS DRAWING CONTAINS INFORMATION THAT IS PROPRIETARY TO MOLEX INCORPORATED AND SHOULD NOT BE USED WITHOUT WRITTEN PERMISSION					

9 8 7 6 5 4 3 2 1

PART NUMBER	DIM'A'	DIM'B'	DIM'C'	DIM'D'	DIM'E'	DIM'F'	DIM'G'	DIM'H'	DIM'J'	DIM'K'	DIM'L'	DIM'M'	DIM'N'	DIM'P'	DIM'Q'	DIM'R'	DIM'S'	DIM'T'	DIM'U'	NUMBER OF CONTACTS	LUBRICATION
87868-1001	30.70	14.40	23.70	22.40	20.60	19.70	18.20	16.90	13.20	17.50	4.80	5.45	9.10	2.65	1.80	4.80	15.30	7.05	12.50	10	YES
87868-1401	37.10	20.80	30.10	28.80	27.00	26.10	24.60	23.30	19.60	17.65	4.95	5.60	9.25	2.50	1.65	4.95	15.45	7.20	12.65	14	
87868-1601	40.30	24.00	33.30	32.00	30.20	29.30	27.80	26.50	22.80	17.65	4.95	5.60	9.25	2.50	1.65	4.95	15.45	7.20	12.65	16	

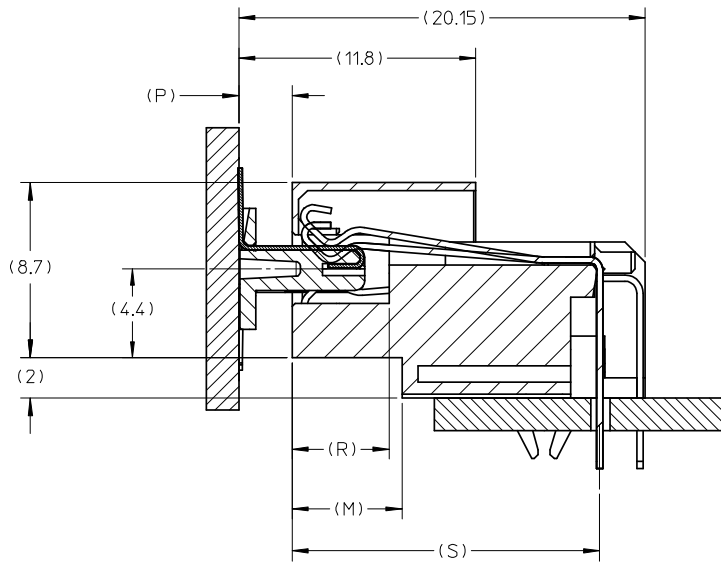


NOTES:

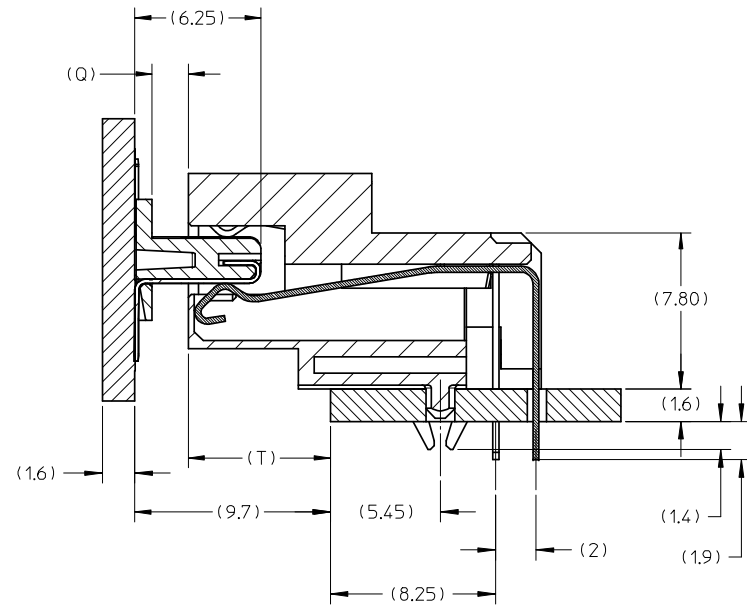
- MATE WITH 87869.
- MATERIAL:
 - HOUSING : GLASS FILLED NYLON, UL94V-0 (FOR WAVE SOLDERING ONLY)
 - TERMINALS : COPPER ALLOY
- BASIC PLANE \square IS THE CENTRE OF 2 BOSSES(Ø1.5)
- PLATING :
 - GOLD ON CONTACT AREA : 0.54µm MINIMUM
 - TIN ON SOLDER TAIL AREA : 24µm MINIMUM
 - OVERALL NICKEL UNDERPLATING : 1.54µm MINIMUM
- REFER TO PS-87868-004 FOR PERFORMANCE SPECIFICATIONS.
- CONTACT MOLEX FOR AVAILABILITY OF PRODUCT OPTIONS.
- PART SHALL BE PACKED IN TRAYS.

RECOMMENDED P.C. BOARD
THICKNESS 1.6MM

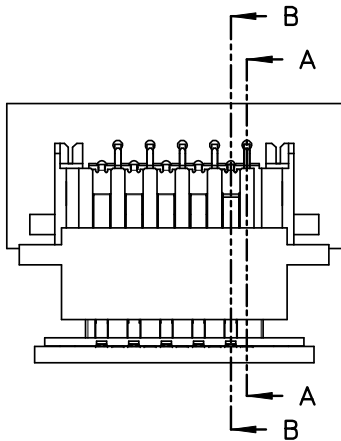
INITIAL RELEASE EC NO: S2008-0879 DRWN:CGOH 2008/04/17 CHKD:KHLIM 2008/04/18 APPR:BOKOK 2008/04/18	QUALITY SYMBOLS ▽=0 ◻=0	GENERAL TOLERANCES (UNLESS SPECIFIED)		DIMENSION STYLE MM ONLY		SCALE	DESIGN UNITS	THIRD ANGLE PROJECTION		
		mm	INCH	DRAWN BY		DATE	TITLE	1.6 PANEL DETACHABLE TYPE RECEPTACLE CONNECTOR MOLEX INCORPORATED SD-87868-007		
		4 PLACES ± ---	± ---	CGOH		2008/03/26				
		3 PLACES ± ---	± ---	CHECKED BY		DATE				
2 PLACES ± 0.20	± ---	KHLIM		2008/04/17						
1 PLACE ± 0.25	± ---	APPROVED BY		DATE		MATERIAL NO.		DOCUMENT NO.		
ANGULAR ± 1°		DRAFT WHERE APPLICABLE MUST REMAIN WITHIN DIMENSIONS		SEE TABLE		SD-87868-007		SHEET NO. 2 OF 3		
THIS DRAWING CONTAINS INFORMATION THAT IS PROPRIETARY TO MOLEX INCORPORATED AND SHOULD NOT BE USED WITHOUT WRITTEN PERMISSION										



SECTION B-B



SECTION A-A



NOTES:

1. THE ALLOWABLE TOLERANCE RANGE OFF MISALIGNMENT WHEN MATED
 - 1) PITCH DIRECTION: ± 1
 - 2) A RIGHT PITCH DIRECTION: ± 0.5
 - 3) MATING DIRECTION: ± 0.7

INITIAL RELEASE EC NO: S2008-0879 DRWN: CGOH 2008/04/17 CHKD: KHL IM 2008/04/18 APPR: BOKOK 2008/04/18	DESCRIPTION A	QUALITY SYMBOLS	GENERAL TOLERANCES (UNLESS SPECIFIED)	DIMENSION STYLE	SCALE	DESIGN UNITS	THIRD ANGLE PROJECTION		
		$\nabla = 0$ $\text{C} = 0$	mm INCH 4 PLACES $\pm \text{---}$ $\pm \text{---}$ 3 PLACES $\pm \text{---}$ $\pm \text{---}$ 2 PLACES ± 0.20 $\pm \text{---}$ 1 PLACE ± 0.25 $\pm \text{---}$	MM ONLY	NTS	METRIC	DRAWN BY: CGOH DATE: 2008/03/26 CHECKED BY: KHL IM DATE: 2008/04/17 APPROVED BY: BOKOK DATE: 2008/04/18	TITLE	1.6 PANEL DETACHABLE TYPE RECEPTACLE CONNECTOR
			ANGULAR $\pm 1^\circ$	SEE TABLE			MOLEX INCORPORATED MATERIAL NO. DOCUMENT NO.	MOLEX INCORPORATED SD-87868-007	SHEET NO. 3 OF 3
			DRAFT WHERE APPLICABLE MUST REMAIN WITHIN DIMENSIONS	SIZE A3	THIS DRAWING CONTAINS INFORMATION THAT IS PROPRIETARY TO MOLEX INCORPORATED AND SHOULD NOT BE USED WITHOUT WRITTEN PERMISSION				