



DL47 SERIES

稳压（齐纳）二极管 Zener Diodes

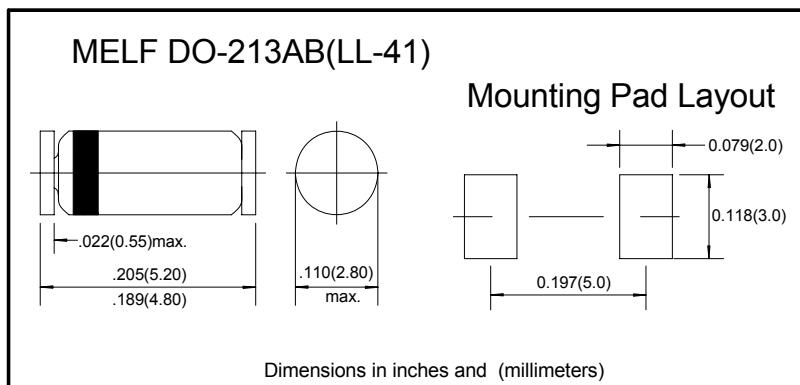
■特征 Features

- P_{tot} 1.0W
- V_z 3.3V-100V

■用途 Applications

- 稳定电压用 Stabilizing Voltage

■外形尺寸和印记 Outline Dimensions and Mark



■极限值（绝对最大额定值）

Limiting Values (Absolute Maximum Rating)

参数名称 Item	符号 Symbol	单位 Unit	条件 Conditions	最大值 Max
损耗功率 Power dissipation	P_{tot}	W	$L=4\text{mm}, T_L=25^\circ\text{C}$	1.0 ¹⁾
齐纳电流 Zener current	I_z	mA		P_V / V_z
最大结温 Maximum junction temperature	T_j	$^\circ\text{C}$		175
存储温度范围 Storage temperature range	T_{stg}	$^\circ\text{C}$		-65 to +175

■电特性（ $T_a=25^\circ\text{C}$ 除非另有规定）

Electrical Characteristics ($T_a=25^\circ\text{C}$ Unless otherwise specified)

参数名称 Item	符号 Symbol	单位 Unit	条件 Conditions	最大值 Max
典型热阻(1) Thermal resistance	$R_{\theta JA}$	$^\circ\text{C}/\text{W}$	结到环境, $L=4$ 毫米, $T_L=$ 常温 junction to ambient air, $L=4\text{mm}, T_L=\text{constant}$	170

备注: Notes:

¹⁾有效提供, 电极保持在环境温度

Valid provided that electrodes are kept at ambient temperature.

■ 电性参数 (T_A=25℃ 除非另有规定)

Electrical Characteristics (T_A=25℃ unless otherwise noted)

产品型号 Part Number	额定齐纳电压 Nominal Zener voltage ¹⁾	测试电流 Test current	最大动态电阻 Maximum dynamic impedance			最大反向漏电流 Maximum reverse leakage current		浪涌电流 Surge current ³⁾	最大调整电流 Maximum regulator current ²⁾
	V _Z at I _{ZT}	I _{ZT}	Z _{ZT} at I _{ZT}	Z _{ZK} at I _{ZK}	I _{ZK}	I _R	Test voltage V _R	at T _A =25℃ I _R	I _{ZM}
	V	mA	Ω	Ω	mA	μA	V	mA	mA
DL4728A	3.3	76	10	400	1	100	1	1380	276
DL4729A	3.6	69	10	400	1	100	1	1260	252
DL4730A	3.9	64	9	400	1	50	1	1190	234
DL4731A	4.3	58	9	400	1	10	1	1070	217
DL4732A	4.7	53	8	500	1	10	1	970	193
DL4733A	5.1	49	7	550	1	10	1	890	178
DL4734A	5.6	45	5	600	1	10	2	810	162
DL4735A	6.2	41	2	700	1	10	3	730	146
DL4736A	6.8	37	3.5	700	1	10	4	660	133
DL4737A	7.5	34	4	700	0.5	10	5	605	121
DL4738A	8.2	31	4.5	700	0.5	10	6	550	110
DL4739A	9.1	28	5	700	0.5	10	7	500	100
DL4740A	10	25	7	700	0.25	10	7.6	454	91
DL4741A	11	23	8	700	0.25	5	8.4	414	83
DL4742A	12	21	9	700	0.25	5	9.1	380	76
DL4743A	13	19	10	700	0.25	5	9.9	344	69
DL4744A	15	17	14	700	0.25	5	11.4	304	61
DL4745A	16	15.5	16	700	0.25	5	12.2	285	57
DL4746A	18	14	20	750	0.25	5	13.7	250	50
DL4747A	20	12.5	22	750	0.25	5	15.2	225	45
DL4748A	22	11.5	23	750	0.25	5	16.7	205	41
DL4749A	24	10.5	25	750	0.25	5	18.2	190	38
DL4750A	27	9.5	35	750	0.25	5	20.6	170	34
DL4751A	30	8.5	40	1000	0.25	5	22.8	150	30
DL4752A	33	7.5	45	1000	0.25	5	25.1	135	27
DL4753A	36	7	50	1000	0.25	5	27.4	125	25
DL4754A	39	6.5	60	1000	0.25	5	29.7	115	23
DL4755A	43	6	70	1500	0.25	5	32.7	110	22
DL4756A	47	5.5	80	1500	0.25	5	35.8	95	19
DL4757A	51	5	95	1500	0.25	5	38.8	90	18
DL4758A	56	4.5	110	2000	0.25	5	42.6	80	16
DL4759A	62	4	125	2000	0.25	5	47.1	70	14
DL4760A	68	3.7	150	2000	0.25	5	51.7	65	13
DL4761A	75	3.3	175	2000	0.25	5	56	60	12
DL4762A	82	3	200	3000	0.25	5	62.2	55	11
DL4763A	91	2.8	250	3000	0.25	5	69.2	50	10
DL4764A	100	2.5	350	3000	0.25	5	76	45	9

备注: Notes:

1) 齐纳阻抗是在1KHz交流电压下, 当交流电流其有效值等于10%的齐纳电流(I_{ZT}或I_{ZK})是叠加在I_{ZT}或I_{ZK}。齐纳阻抗测量两点保证拐点的击穿曲线和消除不稳定的单位

The zener impedance is derived from the 1 kHz AC voltage which results when an AC current having an RMS value equal to 10 % of the zener current (I_{ZT} or I_{ZK}) is superimposed on I_{ZT} or I_{ZK}. Zener impedance is measured at two points to insure a sharp knee on the breakdown curve and to eliminate unstable units

2) 有效提供, 电极保持在环境温度 Valid provided that electrodes are kept at ambient temperature

3) 测量在热平衡和直流试验条件 Measured under thermal equilibrium and DC test conditions



■特性曲线（典型） Characteristics(Typical)

图1：可接受功率损耗与环境温度关系

FIG1: Admissible Power Dissipation vs. Ambient Temperat

