

IEC Appliance Inlet C8 polarized, Snap-in Mounting, Front Side, Solder, Quick Connect or PCB Terminal



C8 polarized



70° C



### Description

- Panel Mount
- Snap-in mounting on PCB from front side
- Appliance Inlet , Pin temperature 70 °C , Protection class II
- Solder, Quick Connect or PCB Terminal

### Approvals

- VDE Certificate Number: 40034368
- UL File Number: E96454

### Weblinks

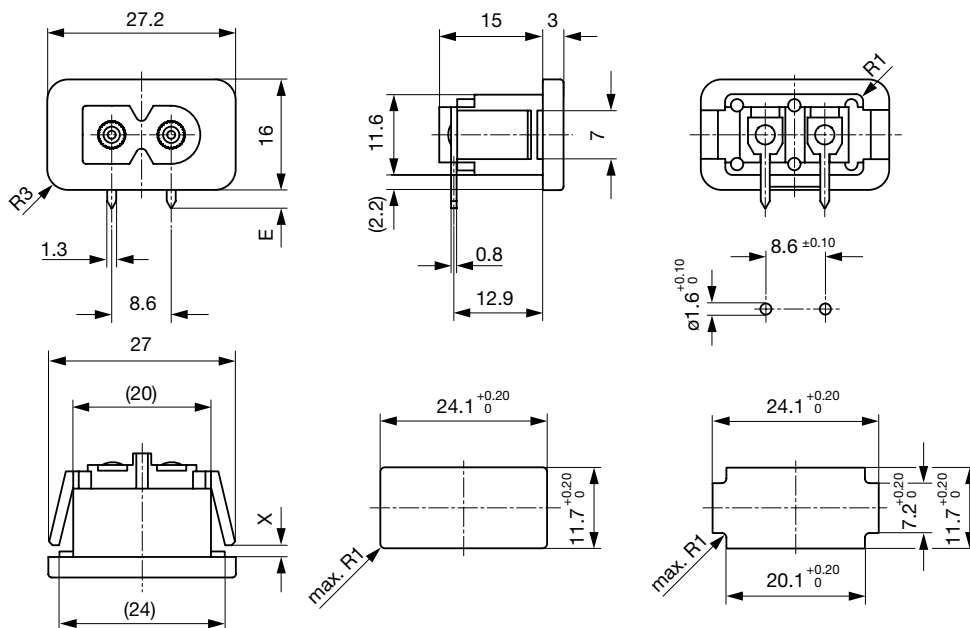
[pdf-datasheet](#), [html-datasheet](#), [General Product Information](#), [RoHS](#), [CHINA-RoHS](#), [REACH](#), [Distributor-Stock-Check](#), [Accessories](#), [Detailed request for product](#)

### Technical Data

Ratings IEC	2.5 A / 250 VAC; 50 Hz	appliance inlet/-outlet	C8p acc. to IEC 60320-1 UL 498, CSA C22.2 no. 42 (for cold conditions) pin-temperature 70 °C, 2.5 A, Protection Class II
Ratings UL/CSA	2.5 A / 250 VAC; 60 Hz 7 A / 125 VAC; 60 Hz		
Dielectric Strength	> 3 kVAC between L-N > 1.5 kVAC between L/N-PE (1 min/50 Hz)		
Allowable Operation Temp.	-25 °C to 70 °C		
IP-Protection	from front side IP 20 acc. to IEC 60529		
Insulation cover	Suitable for appliances with protection class II acc. to IEC 61140		
Material: Housing	PA6, black / grey / white, UL 94V-0		

**Dimensions**

Solder terminals for PCB



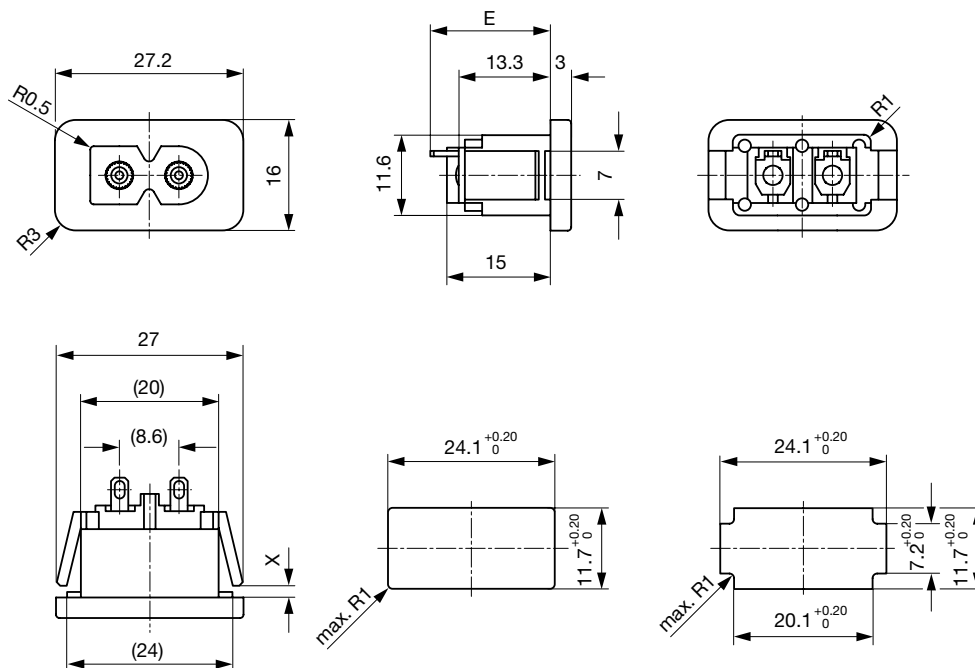
Panel thickness X = 1.0 / 1.5 / 2.0 / 2.5 / 3.0 mm

E: PCB terminal standard: 4.25 mm

E: PCB terminal short: 2.7 mm

E: PCB terminal long: 5.35 mm

**Terminals orientation A**



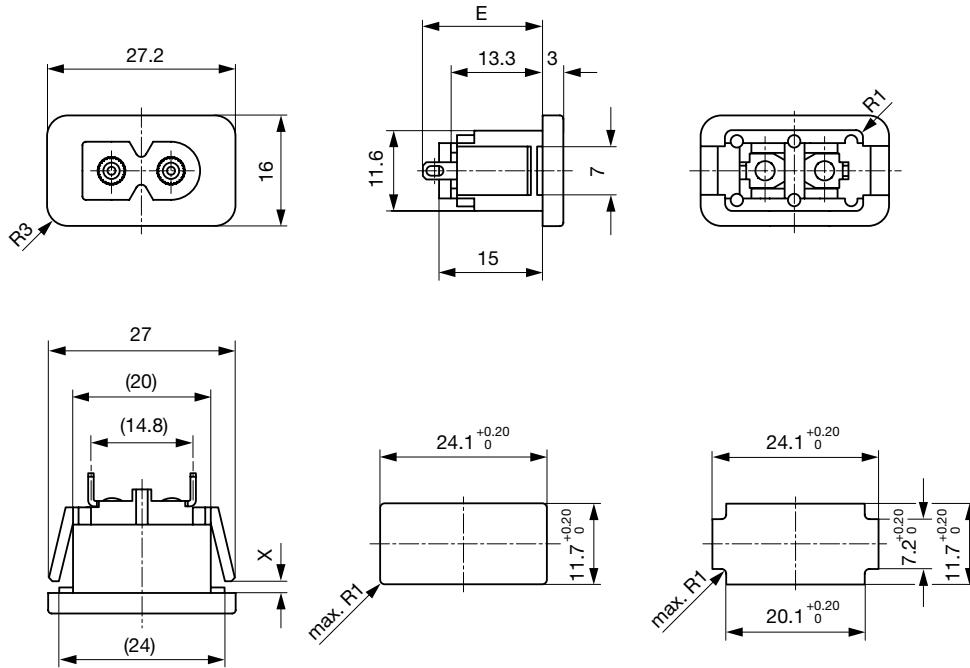
Panel thickness X = 1.0 / 1.5 / 2.0 / 2.5 / 3.0 mm

E: Solder terminals short: 17.3 mm (L=4.8 mm)

E: Solder terminals long: 21.0 mm (L=8.5 mm)

E: Quick connect terminals 2.8x0.8 mm: 23.3 mm

Terminals orientation B



Panel thickness X = 1.0 / 1.5 / 2.0 / 2.5 / 3.0 mm  
 E: Solder terminals short: 17.3 mm (L=4.8 mm)  
 E: Solder terminals long: 21.0 mm (L=8.5 mm)  
 E: Quick connect terminals 2.8x0.8 mm: 23.3 mm

Config. Code

2579 - H - A B C 0 - D - E G F

The characters are placeholders for the correspondingly keys of selections from the key tables.

2579 - H - A B C 0 - D - E G F = Type

Type	Configuration key
protection class II	X

2579 - H - A B C 0 - D - E G F = Terminals

Terminal L	Configuration key
short solder terminal (L = 4.8 mm)	2
long solder terminal (L = 8.5 mm)	3
PCB-terminal standard (additional solder terminal)	4
PCB-terminal short (additional solder terminal)	5
PCB-terminal long (additional solder terminal)	6

Terminal L

Blade terminal (2.8 x 0.8 mm)



Configuration key

7

Blade terminal (4.8 x 0.8 mm)



8

Blade terminal (6.3 x 0.8 mm)



9

PCB-terminal (standard)



A

PCB-terminal (short)



B

PCB-terminal (long)



C

2579 - H - A B C 0 - D - E G F = Terminals

Terminal N	Configuration key	Color	Configuration key
short solder terminal (L = 4.8 mm)	2	White	D
long solder terminal (L = 8.5 mm)	3		
PCB-terminal standard (additional solder terminal)	4		
PCB-terminal short (additional solder terminal)	5		
PCB-terminal long (additional solder terminal)	6		
Blade terminal (2.8 x 0.8 mm)	7		
Blade terminal (4.8 x 0.8 mm)	8		
Blade terminal (6.3 x 0.8 mm)	9		
PCB-terminal (standard)	A		
PCB-terminal (short)	B		
PCB-terminal (long)	C		

Symbols similar as in table A

### 2579 - H - A B C 0 - D - E G F = Terminals

Terminal Ground	Configuration key
without terminal	0

Symbols similar as in table A

### 2579 - H - A B C 0 - D - E G F = Color

Color	Configuration key
Black	A
Grey	B

### 2579 - H - A B C 0 - D - E G F = Style

Style	Configuration key
snap-in (s=panel thickness)	4

### 2579 - H - A B C 0 - D - E G F = Mass S

Mass "s"	Configuration key
10	
15	
20	
25	
30	

The dimension "S" is displayed in ( $\frac{1}{10}$  mm). This information is also valid for the order code

### 2579 - H - A B C 0 - D - E G F = Orientation of Terminals

Orientation of Terminals	Configuration key
horizontal	A
vertical	B

## All Variants

Config. Code	Description	Order Number
2579-X-2200-A-430B	2579, IEC Appliance Inlet C8p, 70°C, version: protection class II, L: short solder terminal (L = 4.8 mm), N: short solder terminal (L = 4.8 mm), ground: without terminal, color: Black, design: snap-in (s=panel thickness), dimension S: 30	6160.0140
2579-X-AA00-A-430A	2579, IEC Appliance Inlet C8p, 70°C, version: protection class II, L: PCB-terminal (standard), N: PCB-terminal (standard), ground: without terminal, color: Black, design: snap-in (s=panel thickness), dimension S: 30	6160.0141
2579-X-2200-A-430A	2579, IEC Appliance Inlet C8p, 70°C, version: protection class II, L: short solder terminal (L = 4.8 mm), N: short solder terminal (L = 4.8 mm), ground: without terminal, color: Black, design: snap-in (s=panel thickness), dimension S: 30	6160.0142
2579-X-2200-A-425A	2579, IEC Appliance Inlet C8p, 70°C, version: protection class II, L: short solder terminal (L = 4.8 mm), N: short solder terminal (L = 4.8 mm), ground: without terminal, color: Black, design: snap-in (s=panel thickness), dimension S: 25	6160.0145
2579-X-2200-A-415B	2579, IEC Appliance Inlet C8p, 70°C, version: protection class II, L: short solder terminal (L = 4.8 mm), N: short solder terminal (L = 4.8 mm), ground: without terminal, color: Black, design: snap-in (s=panel thickness), dimension S: 15	6160.0150
2579-X-2200-A-420B	2579, IEC Appliance Inlet C8p, 70°C, version: protection class II, L: short solder terminal (L = 4.8 mm), N: short solder terminal (L = 4.8 mm), ground: without terminal, color: Black, design: snap-in (s=panel thickness), dimension S: 20	6160.0151
2579-X-2200-A-425B	2579, IEC Appliance Inlet C8p, 70°C, version: protection class II, L: short solder terminal (L = 4.8 mm), N: short solder terminal (L = 4.8 mm), ground: without terminal, color: Black, design: snap-in (s=panel thickness), dimension S: 25	6160.0152
2579-X-2200-A-415A	2579, IEC Appliance Inlet C8p, 70°C, version: protection class II, L: short solder terminal (L = 4.8 mm), N: short solder terminal (L = 4.8 mm), ground: without terminal, color: Black, design: snap-in (s=panel thickness), dimension S: 15	6160.0157
2579-X-2200-A-420A	2579, IEC Appliance Inlet C8p, 70°C, version: protection class II, L: short solder terminal (L = 4.8 mm), N: short solder terminal (L = 4.8 mm), ground: without terminal, color: Black, design: snap-in (s=panel thickness), dimension S: 20	6160.0158
2579-X-4400-A-415A	2579, IEC Appliance Inlet C8p, 70°C, version: protection class II, L: PCB-terminal standard (additional solder terminal), N: PCB-terminal standard (additional solder terminal), ground: without terminal, color: Black, design: snap-in (s=panel thickness), dimension S: 15	6160.0159

The listed variants should be available from stock. Other versions on request [www.schurter.com/contact](http://www.schurter.com/contact)

Most Popular.

Availability for all products can be searched real-time: <http://www.schurter.com/Stock-Check/Stock-Check-SCHURTER>

Packaging unit 100 Pcs

## Mating Outlets/Connectors

### Category / Description



[Power Supply Cord Overview complete](#)

Cord Sets 2.5 A, North America, Black, 2.5 m, SVT 2x18AWG, IEC C7p, 002500 mm, SVT 2x18 AWG, black

[6052.0047](#)

[Power Supply Cord further types to 2579](#)