



**Model number**

**WCS3B-LS310**

Reading head, SSI interface, binary code

**Features**

- SSI interface
- Non-contact, absolute position encoder
- Automatic detection of dirt accumulation

**Accessories**

**WCS3B-PL2**

Transparent protective case and seal for WCS3B reader

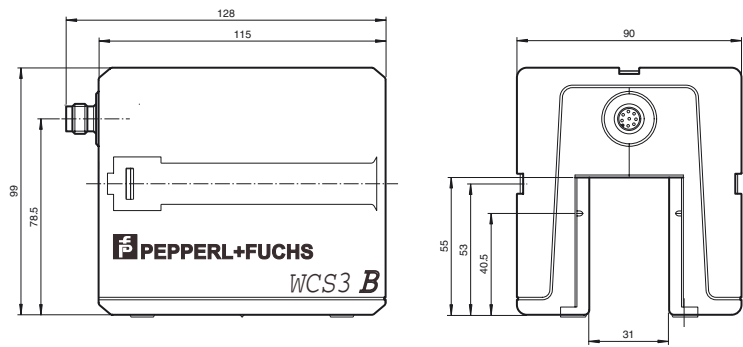
**WCS-MP1**

Mounting plate for reading heads WCS2 and WCS3

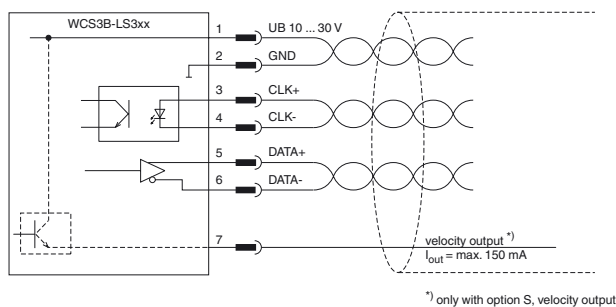
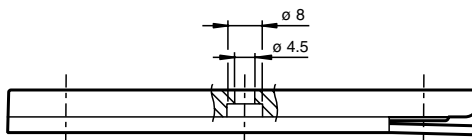
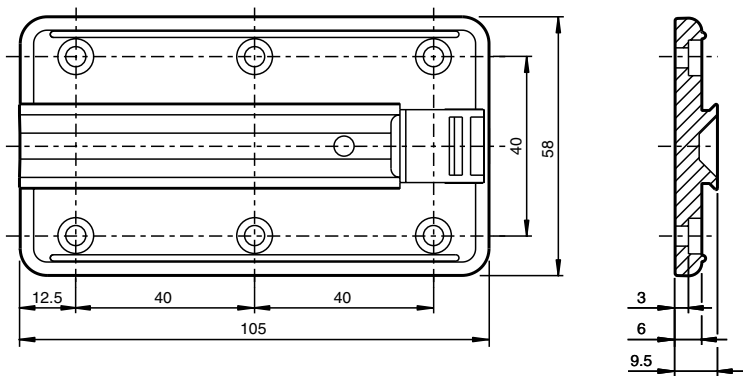
**Note**

with SSI interface

**Dimensions**



**Mounting plate**



**Technical data**

**General specifications**

Passage speed	v	≤ 12.5 m/s
Measuring range		max. 314.5 m
Free tolerances to code rail		horizontal: 31 mm ( ± 15.5 mm ) vertical: 28 mm ( ± 14 mm )
Resolution		± 0.4 mm ( 1,250 positions/m )

Release date: 2019-08-21 14:13 Date of issue: 2019-08-21 199290-0025\_eng.xml

Refer to "General Notes Relating to Pepperl+Fuchs Product Information".

Pepperl+Fuchs Group  
www.pepperl-fuchs.com

USA: +1 330 486 0001  
fa-info@us.pepperl-fuchs.com

Germany: +49 621 776 1111  
fa-info@de.pepperl-fuchs.com

Singapore: +65 6779 9091  
fa-info@sg.pepperl-fuchs.com

<b>Functional safety related parameters</b>	
MTTF <sub>d</sub>	170 a
Mission Time (T <sub>M</sub> )	20 a
Diagnostic Coverage (DC)	0 %
<b>Indicators/operating means</b>	
Operation indicator	LED green: power on
Data flow indicator	LED yellow: data communication active
Velocity indicator	LED yellow (only with Option S, speed output) off, if speed limit is exceeded (instead of data flow display)
Error indicator	LED red flashing: read head outside of code rail solid on: internal diagnostic test failed
<b>Electrical specifications</b>	
Operating voltage	U <sub>B</sub> 10 ... 30 V DC
Power consumption	P <sub>0</sub> 2 VA
<b>Interface</b>	
Interface type	SSI interface
Data output code	binary code , 25 bit
Clock frequency	100 ... 1000 kHz
Pause time	tp ≥ 20 μs double request possible, if t <sub>p</sub> ≤ 10 μs
<b>Standard conformity</b>	
Emitted interference	DIN EN 61000-6-4
Noise immunity	DIN EN 61000-6-2
Shock resistance	DIN EN 60068-2-27, half sine 30 g, 18 ms
Vibration resistance	DIN EN 60068-2-6, sine, 5 g, 10 - 2000 Hz, 10 cycles
<b>Ambient conditions</b>	
Operating temperature	0 ... 60 °C (32 ... 140 °F)
Storage temperature	-40 ... 85 °C (-40 ... 185 °F)
Relative humidity	90 % , noncondensing
<b>Mechanical specifications</b>	
Connection type	8-pin, M12 x 1 connector
Degree of protection	IP54
Material	
Housing	ABS , PC (Polycarbonate)
Mass	500 g
<b>General information</b>	
Ordering information	Mounting plate included with delivery