



**Features:**

- In depth Ramp / Soak Control
- Dual Display, 4 digit, 7 segment LED
- LED Status Indicator: Relay ON, Tune, Alarm, Manual
- 4 Front Panel Control buttons
- TC / RTD Input, Analog Input
- ON / OFF, PID, PID Autotune
- °C / °F Selectable
- 10 Programs, 16 Steps Each
- Alarm at Each Step
- Memory Retention
- Two Setpoints

**Size:** 1/16 DIN 48mm x 48mm

**Certifications:** CE c UL US

**Technical Specifications**

**Display**

Digits	4 digit 7 Segment LED, Dual display Height of Upper Display : 0.3785" Height of Lower Display : 0.2720"
LED Indications	Relay ON, Alarm, Manual mode, Tune

**Input Specifications**

Inputs	Thermocouple (J,K,T,R,S,C,E,B,N,L,U,W, Platinel II), RTD (Pt100) DC Analog Inputs (-5 to 56mV, 0 to 10V, 0 to 20mA)
Sampling time	200 ms
Input Filter (FTC)	0.2 to 10.0 sec
Resolution	1 / 0.1° for TC/RTD only ( Fixed 1° resolution for R & S type TC) Decimal point position selectable: 1/0.1/0.01/0.001 for analog input
Temperature Unit	°C/ °F Selectable
Indication Accuracy	For TC inputs: 0.25% of F.S. ±1° For R & S type TC inputs: 0.5% of F.S. ±2° (20 min of warm up time for TC inputs) For RTD inputs: 0.1% of F.S. ±1° For Analog Input: ±0.5%, ±1 digit (F.S. = Full Scale)

**Output Specifications**

<b>Control</b>	1
Contact Rating (SPST)	5A @ 230V AC / 30V DC, resistive
SSR Drive (Voltage Pulse)	18V DC, 20mA
Current	0/4 to 20mA DC (loop impedance:500Ω max.)
Voltage	0 to 5/10V DC (load resistance :10KΩ min.)
<b>Alarm</b>	1
Contact Rating (SPST)	5A @ 230V AC / 30V DC, resistive
SSR Drive	12V DC (20mA)

**Functional Specifications:**

Control Action	1) PID 2) ON-OFF
Proportional Band (P)	0.0 to 400.0°
Integral Time (I)	0 to 3600 sec
Derivative Time (D)	0 to 200 sec
<b>Alarm Modes</b>	Deviation high, Deviation low, Band, Full scale high, Full scale low, Sensor break
Operation	Absolute / Deviation mode
Hysteresis	Programmable
Hold / Standby mode	Programmable
Annunciator	Programmable
Reset Action	Programmable - Automatic or Latched
Probe Break Action	Upscale
<b>Profile</b>	
No. of Profiles	10
No. of Steps	16 each
Ramp/Soak Time Range	0.01 to 99.99 Hrs : Min
Target Temperature Range	SPLL to SPHL
Other Profile Parameters	Link profiles, Programmable repeat cycle, Power down resume / Reset options, Deviation hold, Alarm at each step with settable alarm duration

**Supply Voltage**

Supply Voltage	85 to 270V AC/DC (50 / 60Hz) Optional - 24V AC/DC, ±10%
Power Consumption	6VA max @230V AC

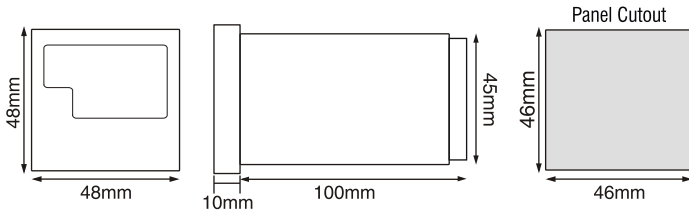
**Environmental Specifications**

Temperature	Operating: 0 to 50°C (32 to 122°F) Storage: -20 to 75°C (-4 to 167°F)
Humidity (non-condensing)	95% RH
Weight	170 gms
Protection Level	IP65 for faceplate

### Compliance

IEC/EN 61326 (EMI/EMC)  
IEC/EN 61010 Revision3 2010 Edition (Safety)  
UL 61010 Revision3 2010 Edition (Safety)

### Dimensions



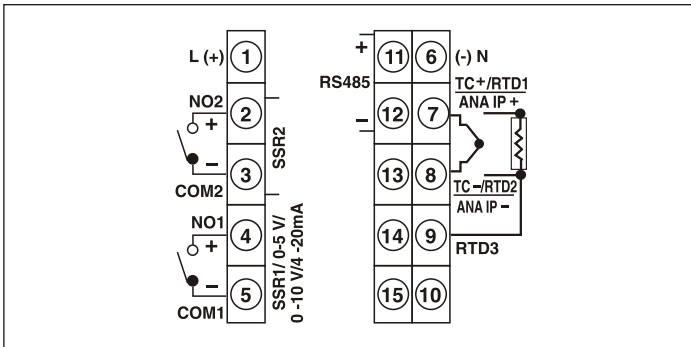
### Mounting Accessories (Supplied with units)

48 X 48 Collar clamp      ACL4802

### Input Ranges (For TC/RTD input)

Sensor Type	Resolution	Ranges	
		1	0.1
Pt100	°C	-150 to 850	-150 to 850
	°F	-238 to 1562	-199 to 999
J	°C	-199 to 750	-199 to 750
	°F	-328 to 1382	-199 to 999
K	°C	-199 to 1350	-199 to 999
	°F	-328 to 2462	-199 to 999
T	°C	-199 to 400	-199 to 400
	°F	-328 to 750	-199 to 750
R & S	°C	0 to 1750	N/A
	°F	32 to 3182	N/A

### Terminal Connections



UL Cable Size (AWG): 16-13 ; Stud Hole for Lug (inch): 0.137 ; Tightening Torque (Lb-inch): 7

IEC Cable Size (mm²): 1.5-2.5 ; Stud Hole for Lug (mm): 3.5 ; Tightening Torque (N-m): 0.8

### Ordering Information

This product is CE certified. Also available with UL marking against order. Please order as per the requirement.

Part no.	OUTPUT 1	OUTPUT2	RS485 Communication	Supply Voltage
PR502-0-0-0	RELAY	RELAY		85-270V AC/DC
PR502-0-0-1	RELAY	RELAY	Yes	85-270V AC/DC
PR502-0-1-1	RELAY	12VDC SSR	Yes	85-270V AC/DC
PR502-0-1-0	RELAY	12VDC SSR		85-270V AC/DC
PR502-1-0-1	18VDC SSR	RELAY	Yes	85-270V AC/DC
PR502-1-0-0	18VDC SSR	RELAY		85-270V AC/DC
PR502-1-1-0	18VDC SSR	12VDC SSR		85-270V AC/DC
PR502-1-1-1	18VDC SSR	12VDC SSR	Yes	85-270V AC/DC
PR502-2-0-0	4-20mA (Current)	RELAY		85-270V AC/DC
PR502-2-0-1	4-20mA (Current)	RELAY	Yes	85-270V AC/DC
PR502-3-0-0	0 - 10V (Voltage)	RELAY		85-270V AC/DC
PR502-3-0-1	0 - 10V (Voltage)	RELAY	Yes	85-270V AC/DC

### UL approved part numbers (with cUL mark)

Please add suffix-CU to the above part nos.:

- i.e. 1) PR502-0-0-0-CU
- 2) PR502-0-0-0-24V-CU
- and so on...

### Accessories ( Optional )

Standard SELEC accessories that can be used with this product.

#### Adapter plate

- 1) AP7248 : Plastic adapter plate, used to mount 1/16 DIN (cutout size 48 x 48) Instrument into existing (72 x 72) cutout size.
- 2) AP9648 : Plastic adapter plate, used to mount 1/16 DIN (cutout size 48 x 48) Instrument into existing (96 x 96) cutout size.
- 3) AP4896-4848-G-C : Plastic adapter plate, used to mount 1/16 DIN (cutout size 48 x 48) Instrument into existing (48 x 96) cutout size.