

**PLEASE CHECK WWW.MOLEX.COM FOR LATEST PART INFORMATION**

**Part Number:** [0353030750](#)  
**Status:** **Active**  
**Description:** 2.00mm (.079") Pitch Wire-to-Board Header, Vertical, Blade Pin, Shrouded, 7 Circuits

**Documents:**

[3D Model](#) [Product Specification PS-35303-001 \(PDF\)](#)  
[Drawing \(PDF\)](#) [RoHS Certificate of Compliance \(PDF\)](#)

**Agency Certification**

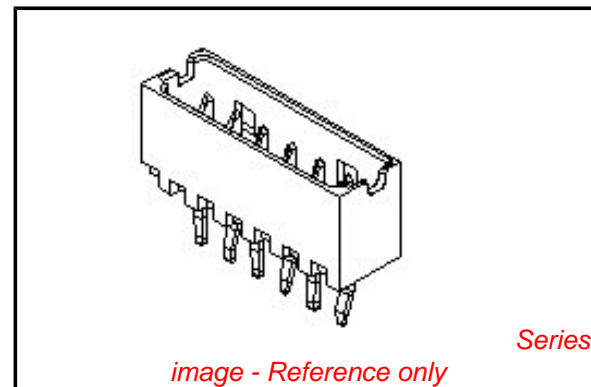
CSA LR 19980  
 UL E29179

**General**

Product Family PCB Headers  
 Series [35303](#)  
 Application Wire-to-Board  
 Product Name N/A

**Physical**

Breakaway No  
 Circuits (Loaded) 7  
 Circuits (maximum) 7  
 Color - Resin Natural  
 Durability (mating cycles max) 30  
 First Mate / Last Break No  
 Flammability 94V-0  
 Glow-Wire Compliant No  
 Guide to Mating Part No  
 Keying to Mating Part None  
 Lock to Mating Part Yes  
 Material - Metal Phosphor Bronze  
 Material - Plating Mating Tin  
 Material - Plating Termination Tin  
 Material - Resin Nylon  
 Number of Rows 1  
 Orientation Vertical  
 PC Tail Length (in) 0.138 In  
 PC Tail Length (mm) 3.50 mm  
 PCB Locator No  
 PCB Retention Yes  
 PCB Thickness Recommended (in) 0.062 In  
 PCB Thickness Recommended (mm) 1.60 mm  
 Packaging Type Tube  
 Pitch - Mating Interface (in) 0.079 In  
 Pitch - Mating Interface (mm) 2.00 mm  
 Plating min: Mating (µin) 32  
 Plating min: Mating (µm) 0.80  
 Plating min: Termination (µin) 32  
 Plating min: Termination (µm) 0.80  
 Polarized to PCB No  
 Shrouded Partial  
 Stackable No  
 Surface Mount Compatible (SMC) No  
 Temperature Range - Operating -20°C to +85°C  
 Termination Interface: Style Through Hole



*image - Reference only*

**EU RoHS**

**ELV and RoHS  
 Compliant**  
**REACH SVHC**  
 Not Reviewed  
**Halogen-Free  
 Status**

**China RoHS**



**Need more information on product  
 environmental compliance?**

Email [productcompliance@molex.com](mailto:productcompliance@molex.com)  
 For a multiple part number RoHS Certificate of  
 Compliance, [click here](#)

Please visit the [Contact Us](#) section for any  
 non-product compliance questions.

**Search Parts in this Series**

[35303Series](#)

**Mates With**

[51004 Wire-to-Board Housing](#)

**Electrical**

Current - Maximum per Contact

2A

Voltage - Maximum

125V

**Material Info****Reference - Drawing Numbers**

Product Specification

PS-35303-001

Sales Drawing

SD-35303-001, SD-35303-010

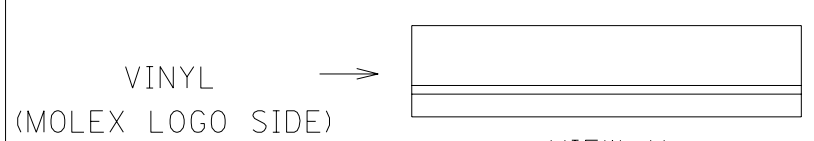
This document was generated on 04/06/2010

**PLEASE CHECK [WWW.MOLEX.COM](http://WWW.MOLEX.COM) FOR LATEST PART INFORMATION**

DWG. NO. SD-35303-001

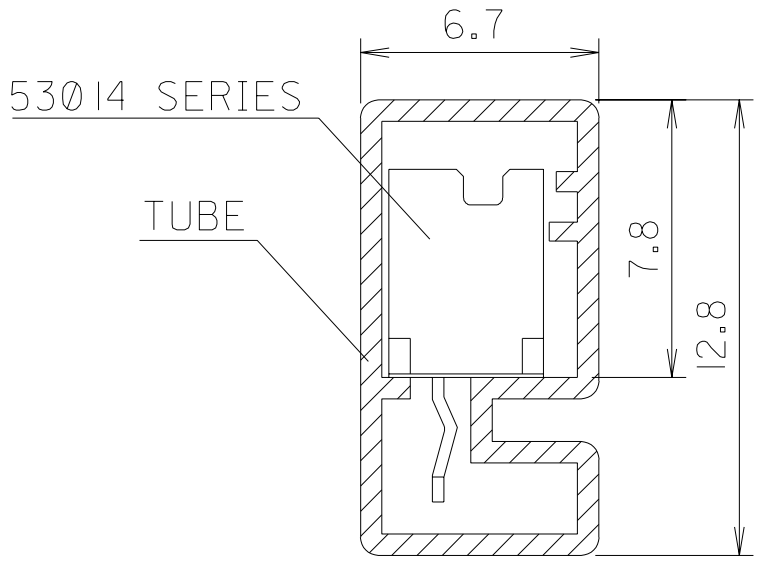
SIMILAR ITEM

PROJECT NO.



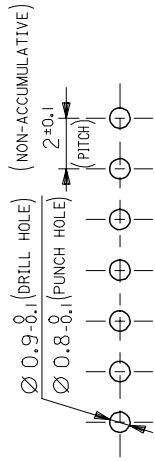
NOTES  
 1. TUBE : STOPPER & VINYL LOCKING TYPE  
 2. THICKNESS : 0.6+  
 3. LENGTH : 550mm

LEGEND 35303-\*\*\* 5 \*  
 COLOR : 0 --- NATURAL  
 1 --- BLACK  
 2 --- RED  
 3 --- YELLOW  
 4 --- BLUE  
 CKT (02, 03, 04, ...)



15	35303155*	35303-155*	8	35303085*	35303-085*	53014 SERIES	
14	35303145*	-145*	7	35303075*	-075*		
13	35303135*	-135*	6	35303065*	-065*		
12	35303125*	-125*	5	35303055*	-055*		
11	35303115*	-115*	4	35303045*	-045*		
10	35303105*	-105*	3	35303035*	-035*		
9	35303095*	35303-095*	2	35303025*	35303-025*		
CKTS	MAT'L NO.	ENG NO.	CKTS	MAT'L NO.	ENG NO.		USED ON

NEW RELEASED EC NO. KOR2004-0124 DRWN: K.S.KIM (040324) CH'K: J.K.OH APPR: C.W.LEE	DESCRIPTION MAJOR  = CRITICAL  =	GENERAL TOLERANCES: (UNLESS SPECIFIED)		SCALE NONE	DESIGN UNITS <input checked="" type="checkbox"/> mm <input type="checkbox"/> INCH	THIRD ANGLE PROJECTION	DIMENSIONS: <input type="checkbox"/> mm <input type="checkbox"/> INCH <input checked="" type="checkbox"/> mm ONLY	SHT REV
		4 PLACES ±0.    ±.	DRAWN BY & DATE H.S.SHIN (910220)	TITLE: TUBE PACKAGED FOR 53014 SERIES				
		3 PLACES ±0.    ±.	CHECKED BY & DATE J.K.OH					
		2 PLACES ±0.    ±.	APPROVED BY & DATE C.W.LEE	MOLEX INCORPORATED KOREA				
1 PLACE ±0.    ±.	CAD FILENAME SD-35303-001	MATERIAL NO. SEE TABLE	DRAWING NO. SD-35303-001				SHEET NO. 1 OF 1	
A	REV	ANGULAR: ± °		DRAFT WHERE APPLICABLE MUST REMAIN WITHIN DIMENSIONS			THIS DRAWING CONTAINS INFORMATION THAT IS PROPRIETARY TO MOLEX INCORPORATED AND SHOULD NOT BE USED WITHOUT WRITTEN PERMISSION.	
								SIZE A



RECOMMENDED P.C. BOARD  
HOLE DIMENSION(REFERENCE) t=1.6

**NOTES**

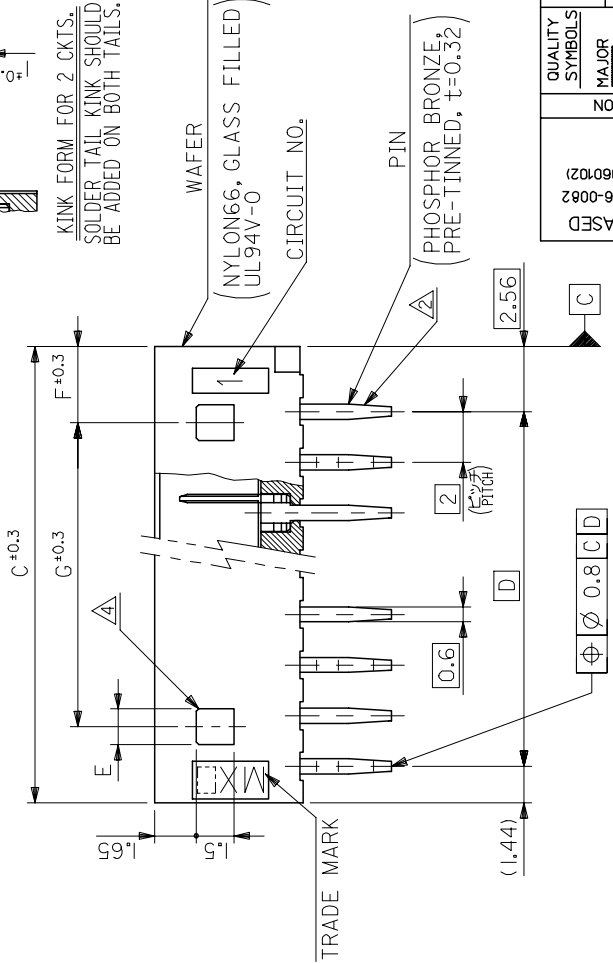
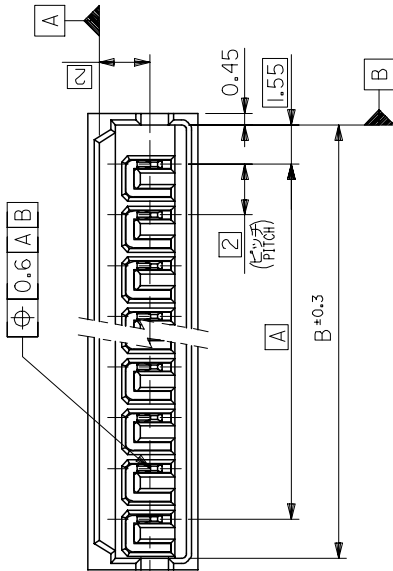
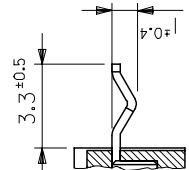
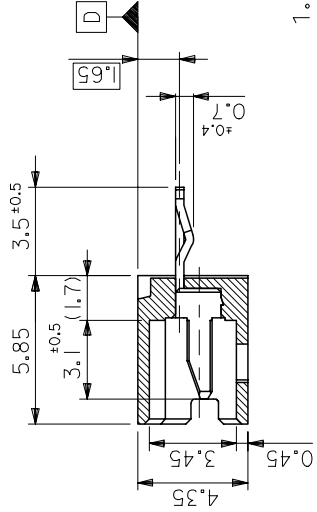
1. MATES WITH : 51004-\*\*\*00

△ KINK TO BE ADDED ON THE ODD NUMBER SOLDER TAILS.(FROM THE TRADE MARK SIDE.)

△ \* MARK INDICATES DYED COLOR :

"0" NATURAL, "1" BLACK, "2" RED, "3" YELLOW, "4" BLUE

△ LOCKING HOLE : 1 PLACE FOR 2, 3 CKTS. AND 2 PLACES FOR 4 CKTS. AND MORE THAN 4 CKTS.



PROJECT NO.	SCALE	DESIGN UNITS	THIRD ANGLE PROJECTION	APPLIED ITEM	ENG. NO.	ENG NO. △	NO. OF CKTS.
26	3	1.4	28	31.1	28	53014-15*	35303-155*
24	3	1.4	26	29.1	26	-14*	35303-145*
22	3	1.4	24	27.1	24	-13*	35303-135*
20	3	1.4	22	25.1	22	-12*	35303-125*
18	3	1.4	20	23.1	20	-11*	35303-115*
16	3	1.4	18	21.1	18	-10*	35303-105*
14	3	1.4	16	19.1	16	-09*	35303-095*
12	3	1.4	14	17.1	14	-08*	35303-085*
10	3	1.4	12	15.1	12	-07*	35303-075*
8	3	1.4	10	13.1	10	-06*	35303-065*
6	3	1.4	8	11.1	8	-05*	35303-055*
4	3	1.4	6	9.1	6	-04*	35303-045*
---	4	3.4	4	7.1	4	-03*	35303-035*
---	3	1.4	2	5.1	2	53014-02*	35303-025*
G	F	E	D	C	B	A	ENG. NO. △

GENERAL TOLERANCES: (UNLESS SPECIFIED)		SCALE		DESIGN UNITS		THIRD ANGLE PROJECTION		DIMENSIONS:		SHT		REV	
MM	INCH	5:1	MM	INCH	MM	INCH	MM	INCH	MM	INCH	MM	INCH	MM
±0.1	±0.004	1	1	1	1	1	1	1	1	1	1	1	1
±0.05	±0.002	2	2	2	2	2	2	2	2	2	2	2	2
±0.02	±0.001	3	3	3	3	3	3	3	3	3	3	3	3
±0.01	±0.0005	4	4	4	4	4	4	4	4	4	4	4	4
ANGULAR: ±													

QUALITY SYMBOLS	DESCRIPTION	APPR:	CHK:	DRWN:	ECN NO.	REV
MAJOR		S.H.CHOI	Y.SOO/KIM	K.S.KIM	KOR2006-0082	A
CRITICAL						

ANGLE	GENERAL TOLERANCES
30 OVER	±0.3
10 OVER 30 UNDER	±0.25
10 UNDER	±0.2

TITLE:		DRAWING NO.		SHEET NO.	
2.0 LOW PROFILE WAFER ASSY		SD-35303-010		1 OF 1	
MOLEX INCORPORATED					
MATERIAL NO.		DRAWING NO.		SHEET NO.	
		SD-35303-010		1 OF 1	
SIZE		B		B	

THIS DRAWING CONTAINS INFORMATION THAT IS PROPRIETARY TO MOLEX INCORPORATED AND SHOULD NOT BE USED WITHOUT WRITTEN PERMISSION.