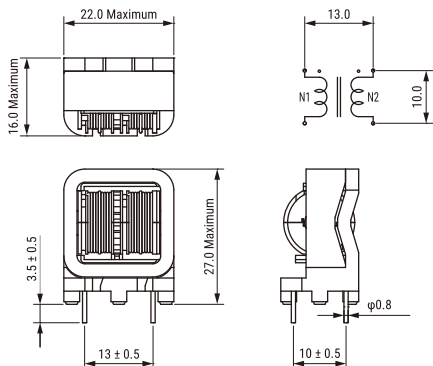


KEMET, SSR21NVS/NHS, AC Line Filters, Common Mode, 8200 uH



Dimensions	
L	22mm MAX
T	16mm MAX
H	27mm MAX
LL	3.5mm +/-0.5mm
S	10mm +/-0.5mm

Packaging Specifications	
Packaging:	Tray
Packaging Quantity:	450
Weight:	14.5 g

General Information	
Series:	SSR21NVS/NHS
Style:	Through-Hole
Features:	High Performance, High Frequency, Broad Bandwidth
RoHS:	Yes
Miscellaneous:	45 (K) Temperature Rise Max.

Specifications	
Voltage AC:	250 VAC
Inductance:	8.2 mH (10 kHz)
Temperature Range:	-25/+120C
DC Resistance:	130 mOhms