

PLEASE CHECK WWW.MOLEX.COM FOR LATEST PART INFORMATION

Part Number: [0732575001](#)
Status: **Active**
Overview: Type N RF Connectors
Description: 50 Ohms, N Plug - Clamp, RG-141, RG-303 and RG-58 Cable

Documents:

[Drawing \(PDF\)](#) [RoHS Certificate of Compliance \(PDF\)](#)
[Product Specification PS-73598-0028 \(PDF\)](#)

General

Product Family	RF/Coax Connectors
Series	73257
Comments	Clamp
Overview	Type N RF Connectors
Product Name	N
Style	Cable
UPC	822348632312
Wire/Cable Type	RG-141, RG-303, RG-58

Physical

Cable Attachment	Clamp
Gender	Plug
Keying to Mating Part	None
Orientation	Straight
PCB Mounting	N/A
Packaging Type	Bag
Panel Mount	No
Panel Mount Method	N/A
Reverse Polar	No

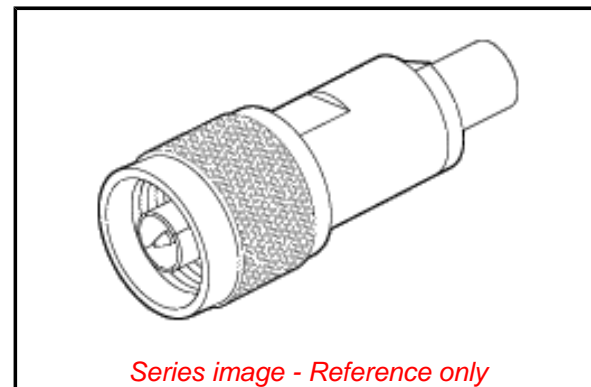
Electrical

Impedance	50#
-----------	-----

Material Info

Reference - Drawing Numbers

Product Specification	PS-73598-0028
Sales Drawing	SD-73257-5001



Series image - Reference only

EU ELV

Not Reviewed

EU RoHS

Not Reviewed

REACH SVHC

Not Reviewed

Halogen-Free

Status

Not Reviewed

Need more information on product environmental compliance?

Email productcompliance@molex.com
Please visit the [Contact Us](#) section for any non-product compliance questions.

China ROHS

Not Reviewed

ELV

Not Reviewed

Search Parts in this Series

[73257 Series](#)

PLEASE CHECK WWW.MOLEX.COM FOR LATEST PART INFORMATION