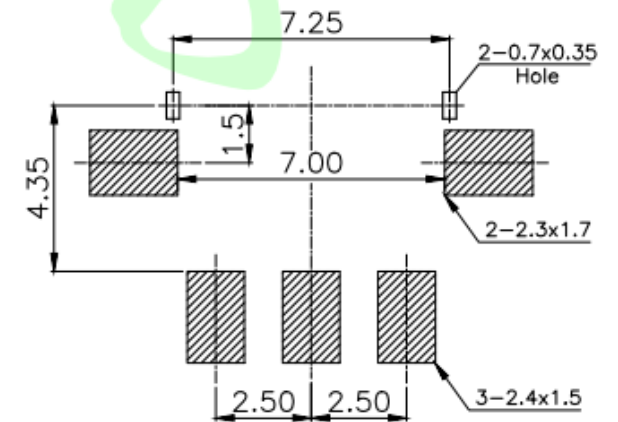
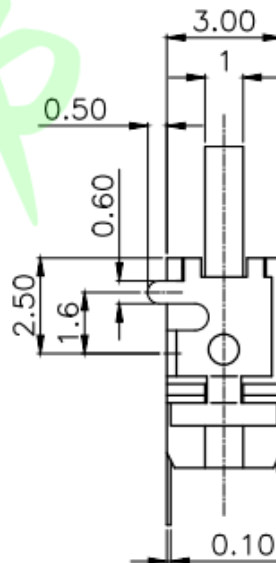


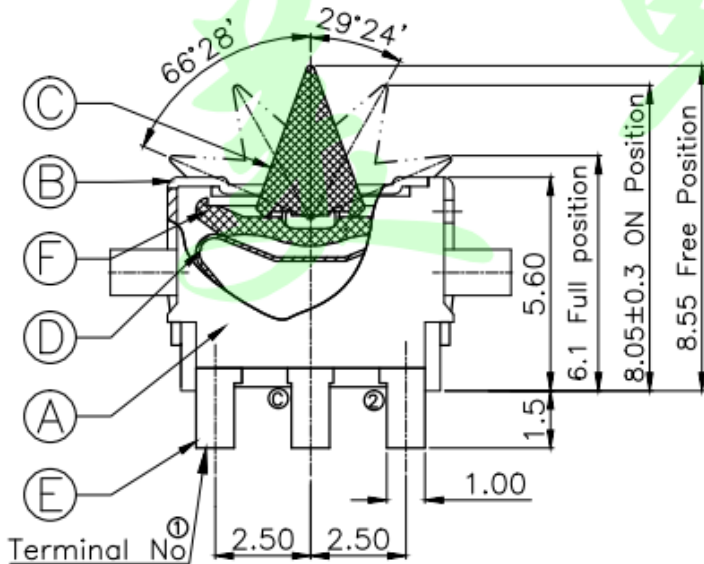
Circuit Diagram

Technical Parameters

1. Rated current: DC 5V 10mA
2. Operating force: 25±10gf
3. Mechanical life: 100,000 times



PCB Layout(Pattern side)



NO.	Name	Number	Qty	Material	Remarks
①	Frisket	1		PA46	Black
②	Terminal	3		Phosphor bronze	Silvering
③	Contact Reed	1		Be alloy	Silvering
④	Button	1		PA46	Black
⑤	Cover	1		SUS	Natural
⑥	Base	1		PA46	Black

Dongguan Usakro Electronic Technology Co., Ltd.

modify	Review	Approved	Tolerance not specified	Proportion	1:1	unit	mm	gape number	A4
			angle	±2'	design	date	name	UK-D0409	
			10~30	±0.30	Review	date	name		
			5~10	±0.20	Approved	date	name		
			~ 5	±0.10	Drawing number:				