

**PLEASE CHECK WWW.MOLEX.COM FOR LATEST PART INFORMATION**

**Part Number:** **0643261005**  
**Status:** **Active**  
**Overview:** cmc connectors  
**Description:** 2.50 mm (.098"), 4.20mm (.165") and 8.40mm, Power CMC Receptacles, 22 Circuits, Right Wire Output, Blue Coding with Rear Seal Cover

**Documents:**  
[Drawing \(PDF\)](#)

[RoHS Certificate of Compliance \(PDF\)](#)

**General**

Product Family	Crimp Housings
Series	<u>64326</u>
Comments	* Current tested on a fully loaded connector, current for temperature increase of 40°C. Current max = 26.0A for 2.8mm Terminal (5.0mm <sup>2</sup> wire), 4.5A for 0.635mm Terminal (0.75mm <sup>2</sup> wire)
Overview	<u>cmc connectors</u>
Product Name	CMC

**Physical**

Circuits (maximum)	22
Circuits Detail	2 x 2.80mm (.110") terminals high current, 20 x 0.635mm (.025") terminals signal pin
Color - Resin	Brown
Gender	Female
Glow-Wire Compliant	No
Keying to Mating Part	Yes
Lock to Mating Part	Yes
Material - Resin	Polyester
Number of Rows	4
Packaging Type	Carton
Panel Mount	No
Pitch - Mating Interface (in)	0.098 In, 0.165 In, 0.330 In
Pitch - Mating Interface (mm)	2.50 mm, 4.20 mm, 8.40 mm
Polarized to Mating Part	Yes
Stackable	No
Temperature Range - Operating	-40°C to +125°C

**Electrical**

Current - Maximum per Contact	26A, 4.5A
-------------------------------	-----------

**Material Info**

**Reference - Drawing Numbers**

Application Specification	AS-64326-001
Sales Drawing	SD-64326-001, SD-64326-002

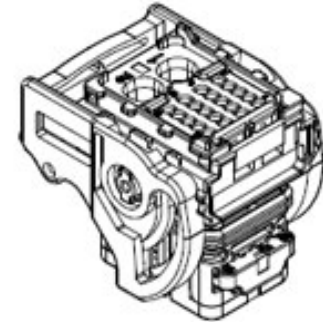


image - Reference only

Series

**EU RoHS**

**ELV and RoHS Compliant**  
**REACH SVHC Not Reviewed**  
**Halogen-Free Status Not Reviewed**

**China RoHS**



**Need more information on product environmental compliance?**

Email [productcompliance@molex.com](mailto:productcompliance@molex.com)  
 For a multiple part number RoHS Certificate of Compliance, [click here](#)

Please visit the [Contact Us](#) section for any non-product compliance questions.

**Search Parts in this Series**  
[64326Series](#)

**Mates With**

No free available mating header, please contact Product Manager

**Use With**

Terminals [64322](#) CP 0.635mm (.025"), [64324](#) CP 2.80mm (.110"), [643251010](#)  
 Blind Plugs for CP 0.635mm (.025") cavity [643251091](#) Seal Plug for CP 2.80mm (.110") cavity, Wire Cap [643191201](#)

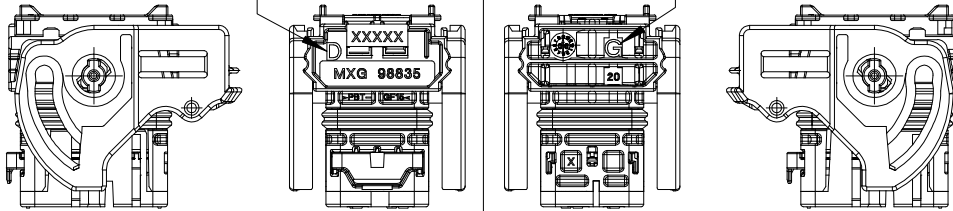
**FEMALE MODULE 22 WAY  
WITH REAR SEAL COVER CMC 22 WAY**

**FEMALE MODULE RIGHT WIRE OUTPUT**

RIGHT MARKING: "D"

**FEMALE MODULE LEFT WIRE OUTPUT**

LEFT MARKING: "G"



**MOLEX  
PART NUMBERS**

**COLOR**

**MOLEX  
PART NUMBERS**

**COLOR**

0643261001

BLACK

0643261002

BLACK

0643261005

BROWN

0643261006

BROWN

0643261009

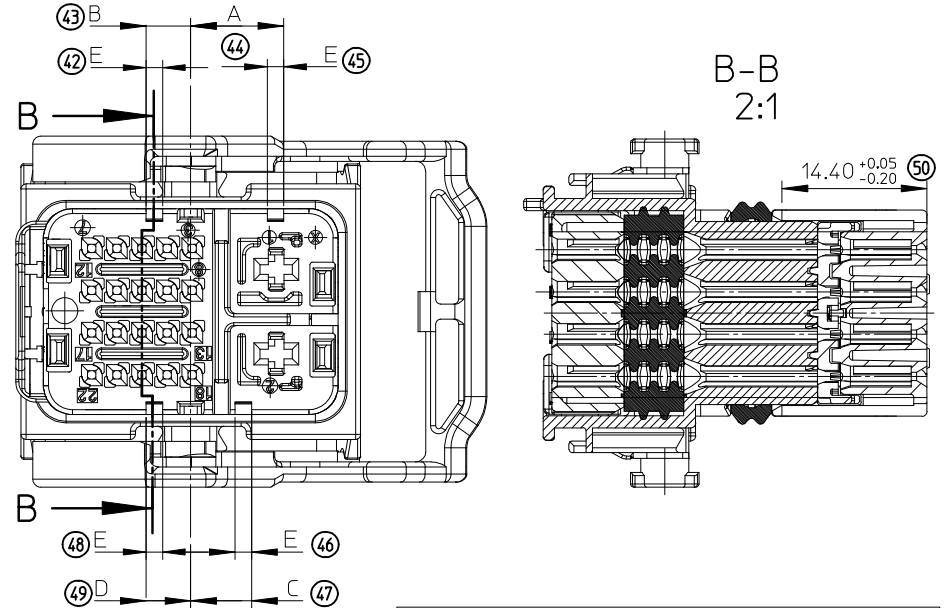
BLUE

0643261010

BLUE

**ASSOCIATED TERMINALS**

CAVITIES N°	TERMINAL	PLATING	MOLEX P/N*	WIRE SEAL P/N*	MIN / MAX WIRE INSULATION DIAMETER
1 to 2	CP2.8 0.50mm2 to 1mm2	Tin plated	0643241049	0643251162	Ø1.40 min / Ø2.15 Max
		Gold plated	0643241149		
	CP2.8 >1mm2 to 2mm2	Tin plated	0643241039	0643251175	Ø2.10 min / Ø2.80 Max
		Gold plated	0643241139		
	CP2.8 >2mm2 to 3mm2	Tin plated	0643241029	0643251188	Ø2.65 min / Ø3.45 Max
		Gold plated	0643241129		
CP2.8 >3mm2 to 5mm2	Tin plated	0643241019	0643251196	Ø3.40 min / Ø4.00 Max	
	Gold plated	0643241119			
3 to 22	CP0.6 0.35mm2	Tin plated	0643221019		Ø1.25 min / Ø1.40 Max
		Gold plated	0643221229		
	CP0.6 0.50mm2	Tin plated	0643221039		Ø1.40 min / Ø1.70 Max
		Gold plated	0643221239		
	CP0.6 0.75mm2	Tin plated	0643221029		Ø1.60 min / Ø1.90 Max
		Gold plated	0643221219		

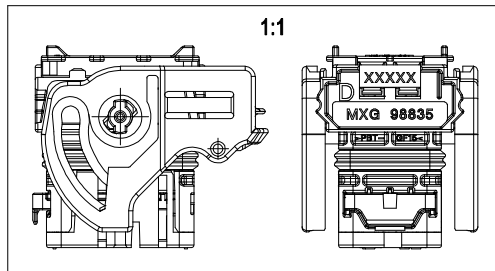


**CODINGS**

COLOR	A <sup>+0.10</sup> <sub>0</sub>	B <sup>+0.10</sup> <sub>0</sub>	C <sup>+0.10</sup> <sub>0</sub>	D <sup>+0.10</sup> <sub>0</sub>	E <sup>+0.10</sup> <sub>0</sub>
BLACK	9.2	4.4	6.0	4.4	1.6
BROWN	6.0	7.6	9.2	9.2	1.6
BLUE	7.55	6.0	9.15	6.0	1.6

**NOTES:**

- FOR ILLUSTRATION PURPOSE THE FEMALE MODULE SHOWN IS THE RIGHT WIRE OUTPUT "D", CODING BLACK
- APPLICATION SPECIFICATION: AS-64326-001
- THE ASSEMBLED FEMALE MODULE IS ASSEMBLED WITH THE COVER P/N°0643191201
- FOR 0.6 CAVITIES USE PLUGS P/N°:0643251010
- FOR 2.8 CAVITIES USE CAP SEALS P/N°: 0643251091
- PART WEIGHT: 31.000 g



FIRST RELEASE  
EC NO: G2009-0122  
DRAWING: DESBRUERES 2008/12/19  
CHKD: O. PLESSIS 2008/12/19  
APPR: CBOUCHAN 2009/01/12

QUALITY SYMBOL

GENERAL TOLERANCES (UNLESS SPECIFIED)

	mm	INCH
4 PLACES	± ---	± ---
3 PLACES	± ---	± ---
2 PLACES	± 0.05	± ---
1 PLACE	± 0.1	± ---
ANGULAR ± 2 °		

DRAFT WHERE APPLICABLE  
MUST REMAIN  
WITHIN DIMENSIONS

DIMENSION STYLE  
**MM ONLY**

DRAWN BY: G. DESBRUERES  
DATE: 2008/10/02

CHECKED BY: O. PLESSIS  
DATE: 2008/10/02

APPROVED BY: C. BOUCHAN  
DATE: 2008/10/03

MATERIAL NO. SEE CHARTS

SCALE: 1:1

DESIGN UNITS: METRIC

FIRST ANGLE PROJECTION

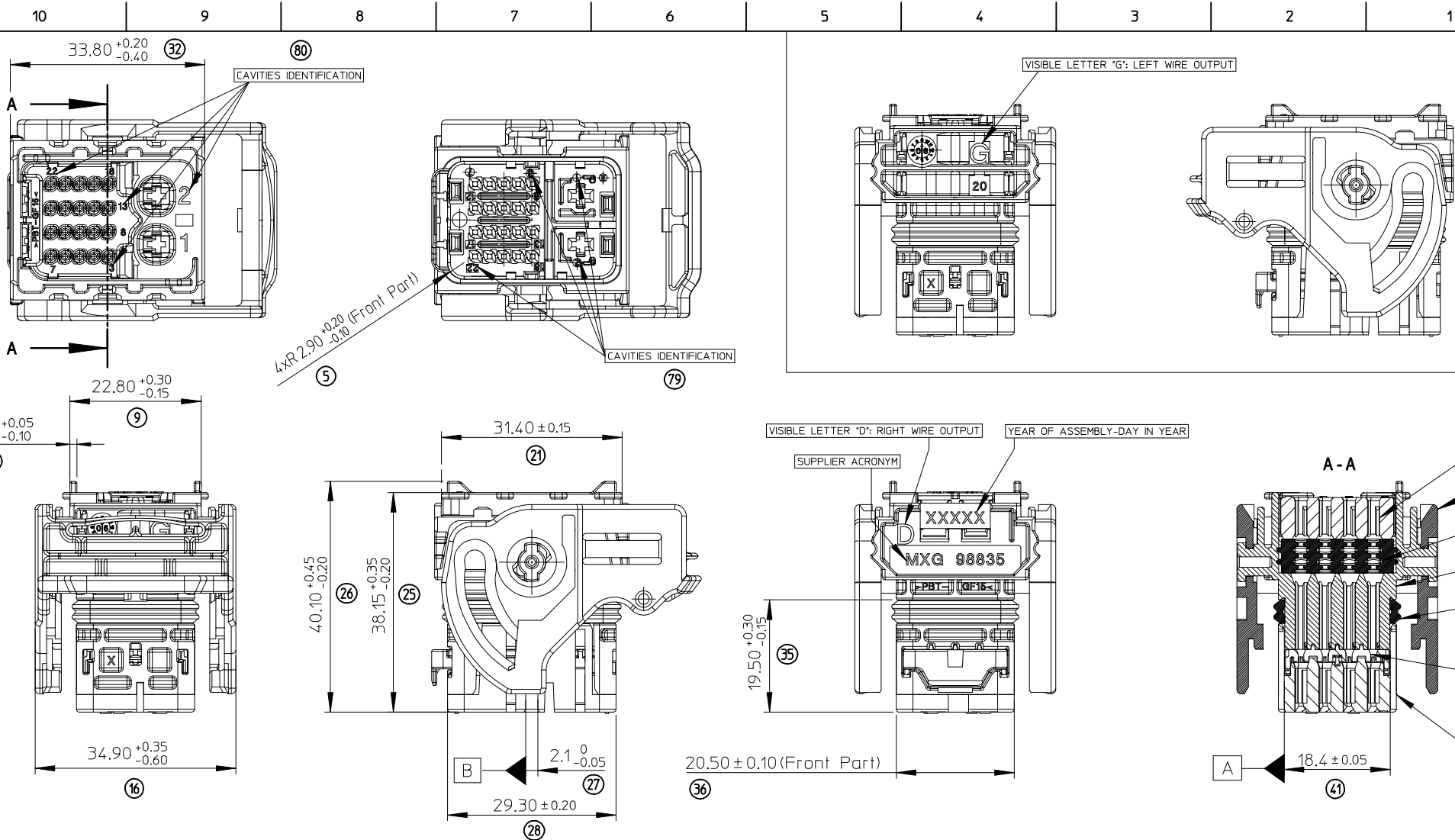
TITLE: CMC FEMALE MODULE 22W  
GENERIC SALES DRAWING

MOLEX MOLEX INCORPORATED

DOCUMENT NO. SD-64326-001

SHEET NO. 1 OF 3

THIS DRAWING CONTAINS INFORMATION THAT IS PROPRIETARY TO MOLEX INCORPORATED AND SHOULD NOT BE USED WITHOUT WRITTEN PERMISSION



POS.	QTY	P/N*	DESIGNATION	MATERIAL	COLOR
7	1	0989930241	LEVER SIZE T2	>PBT-GF30<	BLACK
6	1	0986560001	PERIMETER SEAL	SILICONE	BLUE
5	1	0988350007	REAR SEAL COVER 22 way	>PBT-GF15 FR(17)< CLASS UL-V0	GREY
4	1	0988350006	BACK SEAL	SILICONE	GREEN
3	1	0988350005	T.P.A	>PBT-GF15 FR(17)< CLASS UL-V0	YELLOW
2	1	0988350004	HOUSING TOP PART	>PBT-GF15 FR(17)< CLASS UL-V0	BROWN
1	1	0988350001	HOUSING BOTTOM PART	>PBT-GF15 FR(17)< CLASS UL-V0	BLACK
		0988350002			BROWN
		0988350003			BLUE

**FIRST RELEASE**  
 EC NO: G2009-0172Z  
 DRWNG: GDESBRUERES 2008/12/19  
 CHK'D: O. PLESSIS 2008/12/19  
 APPR: CBOUCHAN 2009/01/12

QUALITY SYMBOL  
 ▲ ±0  
 ▼ ±0

GENERAL TOLERANCES (UNLESS SPECIFIED)

	mm	INCH
4 PLACES	± ---	± ---
3 PLACES	± ---	± ---
2 PLACES	± 0.05	± ---
1 PLACE	± 0.1	± ---
ANGULAR ± 2 °		

DRAFT WHERE APPLICABLE  
 MUST REMAIN WITHIN DIMENSIONS

DIMENSION STYLE  
**MM ONLY**

DRAWN BY DATE  
 G. DESBRUERES 2008/10/02

CHECKED BY DATE  
 O. PLESSIS 2008/10/02

APPROVED BY DATE  
 C. BOUCHAN 2008/10/03

MATERIAL NO.  
**SEE SHEET 1**

SCALE  
**1.5:1**

DESIGN UNITS  
**METRIC**

FIRST ANGLE PROJECTION

TITLE  
**CMC FEMALE MODULE 22W  
 GENERIC SALES DRAWING**

**MOLEX INCORPORATED**

DOCUMENT NO.  
**SD-64326-001**

SHEET NO.  
**2 OF 3**

THIS DRAWING CONTAINS INFORMATION THAT IS PROPRIETARY TO MOLEX INCORPORATED AND SHOULD NOT BE USED WITHOUT WRITTEN PERMISSION

FEMALE MODULE OVERALLS - T.P.A IN POSITION TO FIT TERMINALS

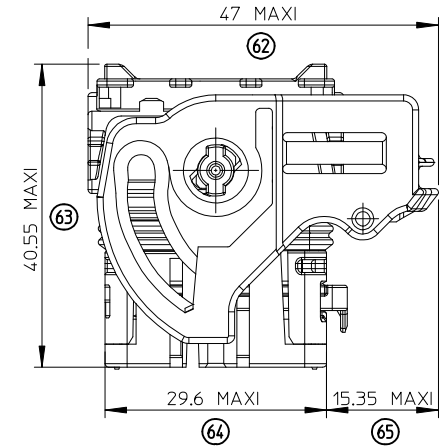
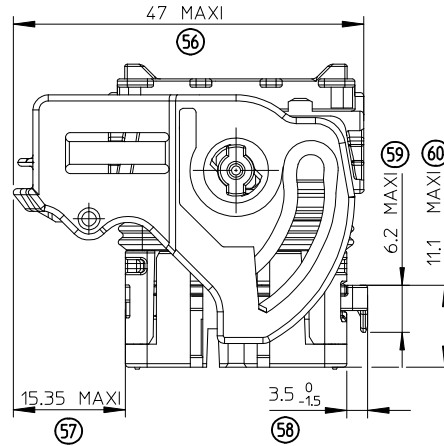
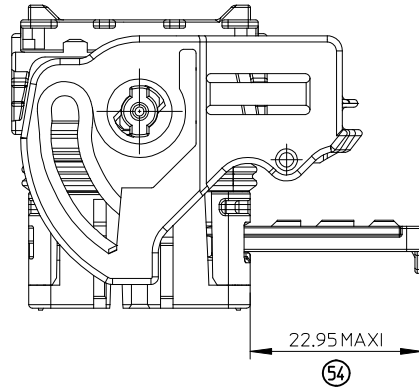
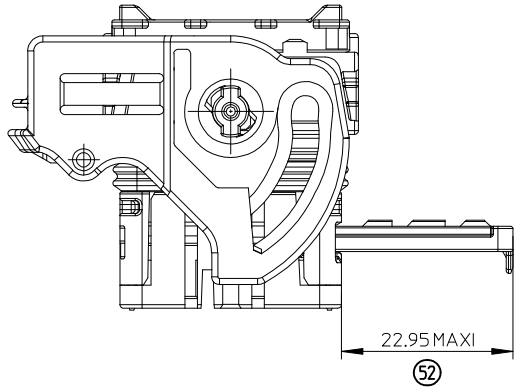
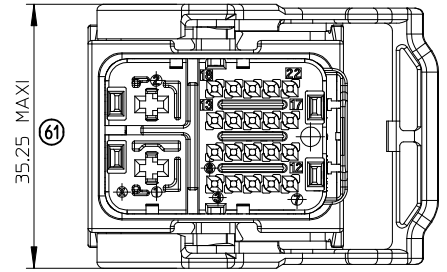
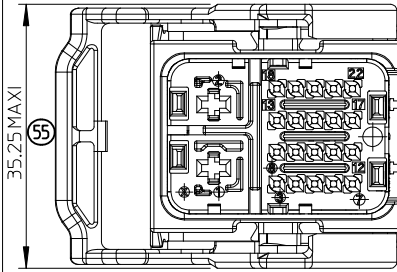
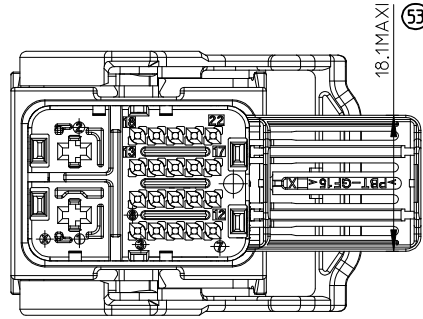
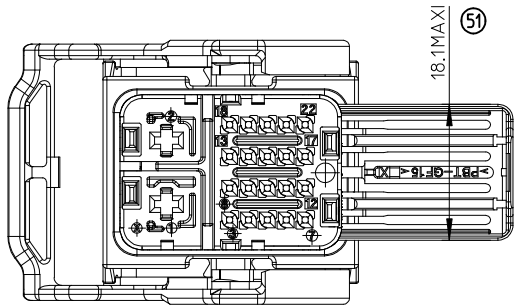
FEMALE MODULE OVERALLS - T.P.A IN DELIVERY POSITION

FEMALE MODULE - RIGHT WIRE OUTPUT

FEMALE MODULE - LEFT WIRE OUTPUT

FEMALE MODULE - RIGHT WIRE OUTPUT

FEMALE MODULE - LEFT WIRE OUTPUT



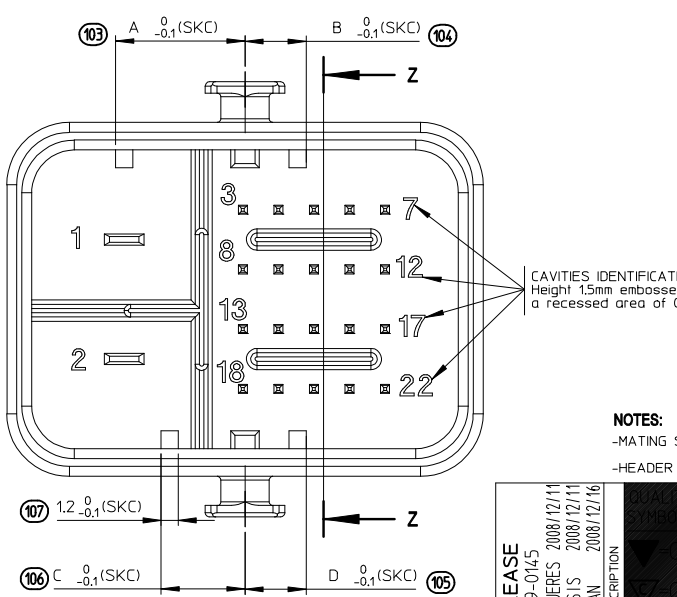
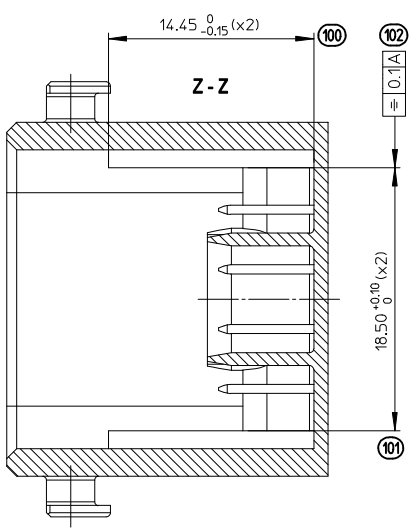
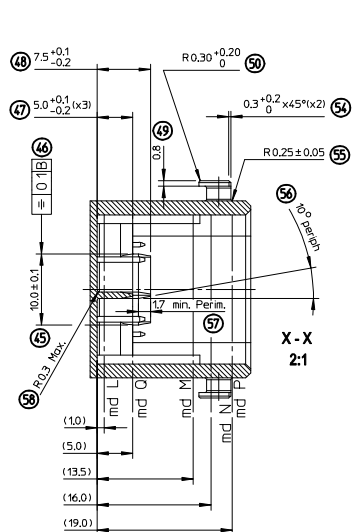
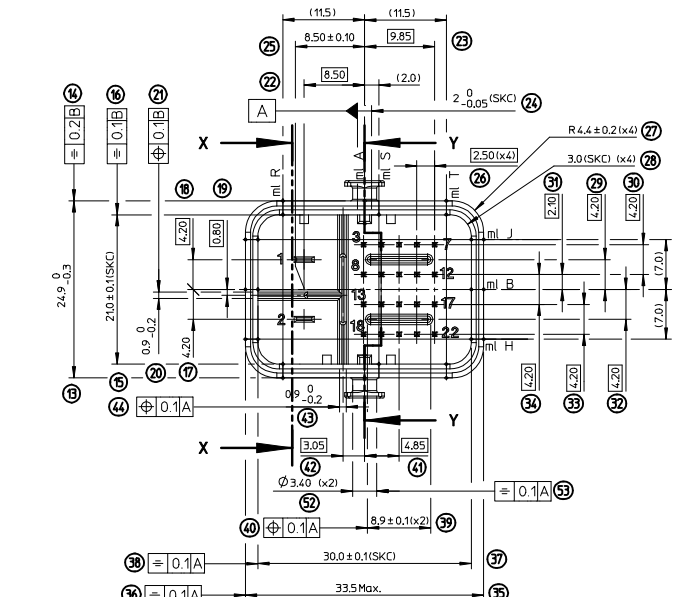
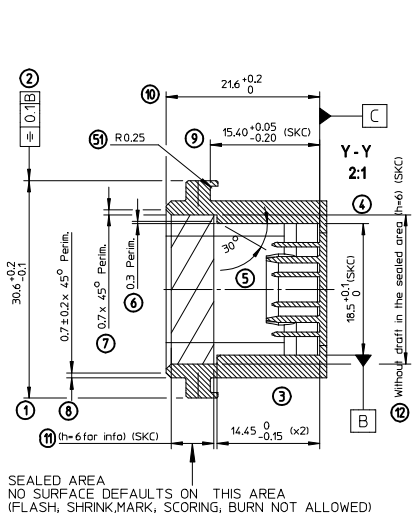
<b>FIRST RELEASE</b>	DESCRIPTION
EC NO: G2009-0122	QUALITY SYMBOL
DRWN: DESBRUERES 2008/12/19	REV
CHKD: O.PLESSIS 2008/12/19	1
APPR: CBOUCHAN 2009/01/12	

GENERAL TOLERANCES (UNLESS SPECIFIED)	
mm	INCH
4 PLACES	± ---
3 PLACES	± ---
2 PLACES	± 0.05
1 PLACE	± 0.1
ANGULAR ± 2 °	
DRAFT WHERE APPLICABLE MUST REMAIN WITHIN DIMENSIONS	

DIMENSION STYLE	
MM ONLY	
DRAWN BY	DATE
G. DESBRUERES	2008/10/02
CHECKED BY	DATE
O. PLESSIS	2008/10/02
APPROVED BY	DATE
C. BOUCHAN	2008/10/03
MATERIAL NO.	
SEE SHEET 1	
SIZE	
A3	

SCALE	DESIGN UNITS	FIRST ANGLE PROJECTION
1:1	METRIC	
TITLE		
CMC FEMALE MODULE 22W GENERIC SALES DRAWING		
molex MOLEX INCORPORATED		
DOCUMENT NO.	SHEET NO.	
SD-64326-001	3 OF 3	
THIS DRAWING CONTAINS INFORMATION THAT IS PROPRIETARY TO MOLEX INCORPORATED AND SHOULD NOT BE USED WITHOUT WRITTEN PERMISSION		

HOUSING OVERALLS - MALE TERMINALS AND WALLS FOR PROTECTION IMPLANTATION



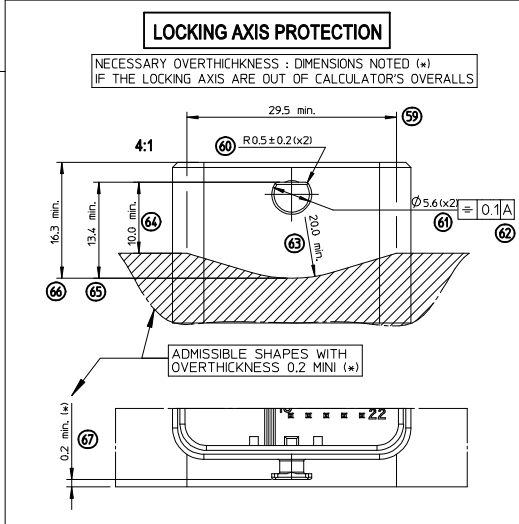
CODINGS				
COLOR	DIM. A	DIM. B	DIM. C	DIM. D
BLACK	9.1	4.3	5.9	4.3
BROWN	5.9	7.5	9.1	9.1
BLUE	7.45	5.9	9.05	5.9

CODINGS LOCATION	
(BLACK CODING SHOWN)	4:1

SKCI SPECIAL KEY CHARACTERISTICS		
⊗	DENOTES S.P.C DIMENSIONS	
⊕	DENOTES CRITICAL DIMENSIONS	
⊙	DENOTES FUNCTIONAL DIMENSIONS	
⊛	QUANTITY PER INDIVIDUAL SHEET	
⊚	⊚ <sub>0</sub> ⊚ <sub>0</sub> ⊚ <sub>0</sub> (SKCI) 13	

NOTES:  
 -MATING SURFACES WITHOUT ANY FLASH  
 -HEADER PPA GF 33% AND PBT GF 30% RECOMMENDED

CHART MEASURES FOR INTERFACE			
NUMB.	DIMENSION	MEASURE LINE	MEASURE DEPTH
35	33.5 MAXI	B H J	P
37	30 +0.1	B H J	N P
	29.8 mini 30.1 MAXI	B H J	L
15	21 +0.1	R T	L N P
		S	L
		A	N P
	20.8 mini 21.1 MAXI	R S T	L
13	24.9 0/-0.3	A R T	P
10	21.6 +0.2/0	MAX / MIN	
28	R3.0 ±0.1		N P
4	18.5 +0.1/0	A	L M Q
107	1.2 0/-0.1	CODING	L M
101	18.5 +0.1/0	CODING	L M
103/105/106	9.1 0/-0.1	CODING	L M
103/104	7.5 0/-0.1	CODING	L M
103/104/105/106	5.9 0/-0.1	CODING	L M
104/105	4.3 0/-0.1	CODING	L M

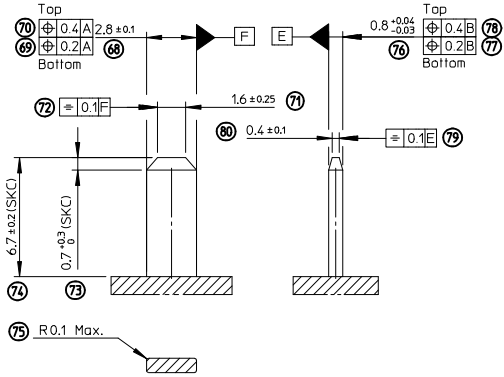


NECESSARY OVERTHICKNESS - DIMENSIONS NOTED (⊕)  
 IF THE LOCKING AXIS ARE OUT OF CALCULATOR'S OVERALLS

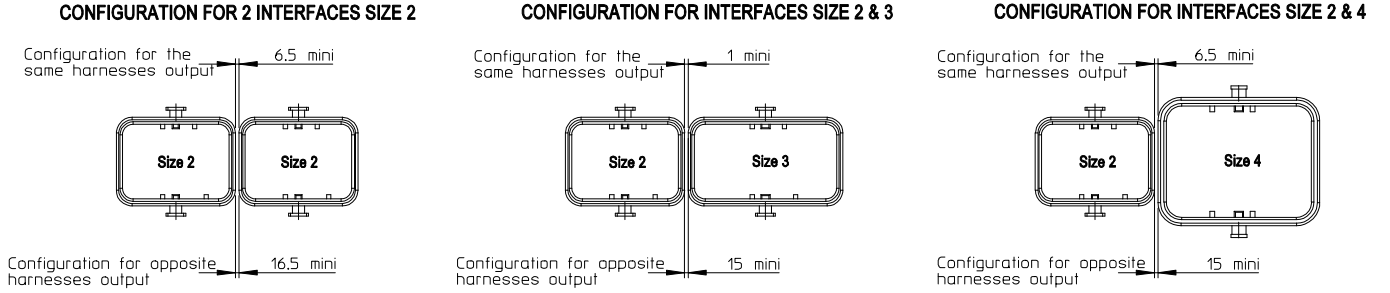
ADMISSIBLE SHAPES WITH OVERTHICKNESS 0.2 MINI (⊕)

FIRST RELEASE EC NO: G2009-0145 DRAWN: GDESBRUERES 2008/12/11 CHKD: O. PLESSIS 2008/12/11 APPR: CBOUCHAN 2008/12/16	DESCRIPTION	GENERAL TOLERANCES (UNLESS SPECIFIED)		DIMENSION STYLE	SCALE	DESIGN UNITS	FIRST ANGLE	
		mm	INCH	MM ONLY	1:1	METRIC	PROJECTION	
		4 PLACES	± ---	± ---	DRAWN BY G. DESBRUERES 2008/10/09		TITLE	
		3 PLACES	± ---	± ---	CHECKED BY O. PLESSIS 2008/10/09		INTERFACE FOR HYBRIDE	
		2 PLACES	± 0.05	± ---	APPROVED BY C. BOUCHAN 2008/10/10		MODULE 22CKT CMC	
		1 PLACE	± 0.1	± ---	MATERIAL NO. N/A		GENERIC SALES DRAWING	
		ANGULAR ± 2 °		DOCUMENT NO. SD-64326-002		MOLEX		
		DRAFT WHERE APPLICABLE MUST REMAIN WITHIN DIMENSIONS		SHEET NO. 1 OF 2		MOLEX INCORPORATED		
		SIZE A2		THIS DRAWING CONTAINS INFORMATION THAT IS PROPRIETARY TO MOLEX INCORPORATED AND SHOULD NOT BE USED WITHOUT WRITTEN PERMISSION				

### TAB 2.8 DEFINITION

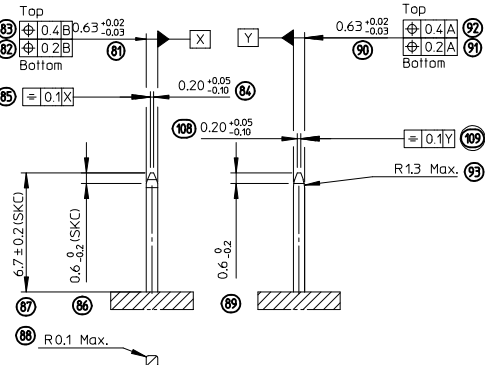


### HEADERS LOCATION

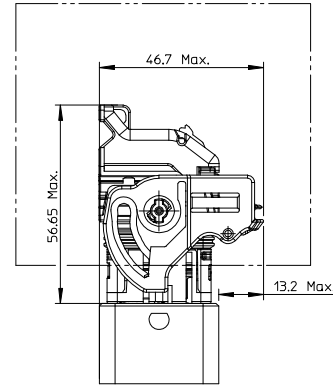
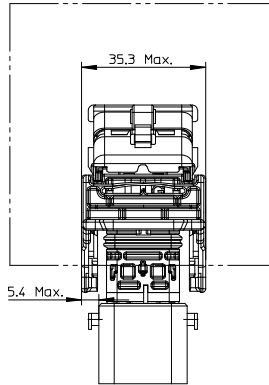


### FEMALE HOUSING OVERALLS - MATING & UNMATING WITH HEADER

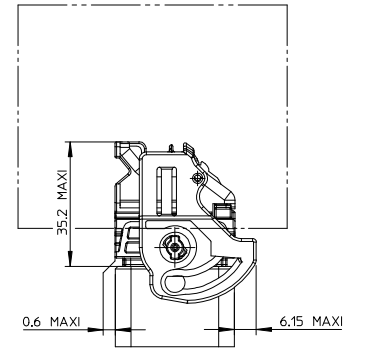
### PIN 0.635 DEFINITION



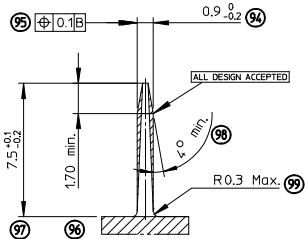
### OVERALLS FOR MATING & UNMATING



### LOCKED FEMALE HOUSING OVERALL DIMENSIONS



### WALL FOR PROTECTION DEFINITION



(SKC) SPECIAL KEY CHARACTERISTICS	
	DENOTES S.P.C DIMENSIONS
	DENOTES CRITICAL DIMENSIONS
	DENOTES FUNCTIONAL DIMENSIONS
QUANTITY PER INDIVIDUAL SHEET	

<b>FIRST RELEASE</b>	
EC NO: G2009-0145	DRWN:GDESBRUERES 2008/12/11
CHKD:O.PLESSIS 2008/12/11	APPR:CBOUCHAN 2008/12/16

### GENERAL TOLERANCES (UNLESS SPECIFIED)

	mm	INCH
4 PLACES	±---	±---
3 PLACES	±---	±---
2 PLACES	±0.05	±---
1 PLACE	±0.1	±---

ANGULAR ± 2 °

### DIMENSION STYLE

MM ONLY
DRAWN BY DATE
G. DESBRUERES 2008/10/09
CHECKED BY DATE
O.PLESSIS 2008/10/09
APPROVED BY DATE
C. BOUCHAN 2008/10/10
MATERIAL NO.
N/A

SCALE 2:1	DESIGN UNITS METRIC	FIRST ANGLE PROJECTION
-----------	---------------------	------------------------

### INTERFACE FOR HYBRIDE MODULE 22CKT CMC GENERIC SALES DRAWING

	MOLEX INCORPORATED
DOCUMENT NO.	SD-64326-002
SHEET NO.	2 OF 2

DRAFT WHERE APPLICABLE MUST REMAIN WITHIN DIMENSIONS

THIS DRAWING CONTAINS INFORMATION THAT IS PROPRIETARY TO MOLEX INCORPORATED AND SHOULD NOT BE USED WITHOUT WRITTEN PERMISSION