

PA40-44-01-DP(-PP) Data Sheet

40 pin DIP socket/44 pin PLCC plug

Supported Device/Footprints

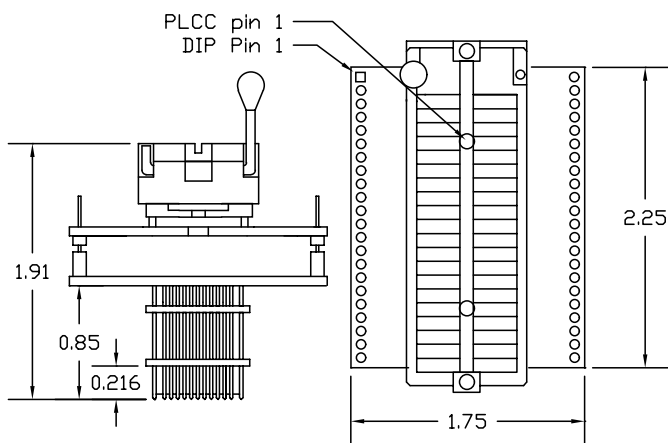
These adapters accept 40 pin DIP devices and plugs into 44 pin PLCC production sockets. They allow DIP devices, or emulators with DIP plugs, to be used during development of PLCC based products.

The following DIP devices footprint are converted to the indicated PLCC footprint.

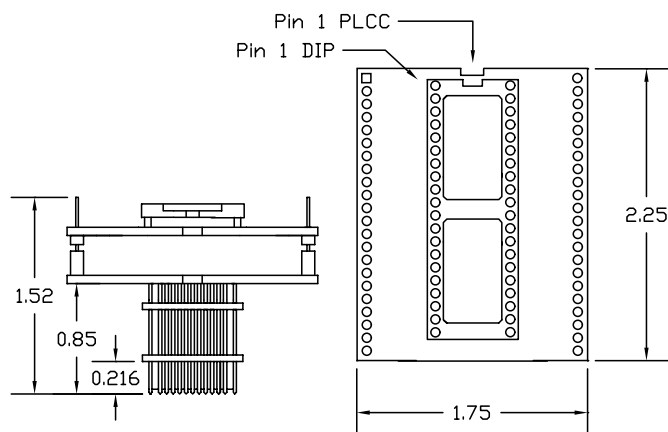
Zilog: Z86C21/ E21/ C61/ E61
Footprint: Same device 44PLCC

Other devices that require the same wiring would also be supported.

Adapter Dimensions



PA40-44-01-DP



PA40-44-01-DP-PP

Adapter Construction

The adapter is made up of 2 sub-assemblies. They assemble via connectors making the adapter modular. This way the sub-assemblies can be easily replaced.

The following chart lists the adapters described by this datasheet and their subassemblies.

| Adapter | Test Socket | Top Board | Bottom Board |
|------------------|-------------|--------------|--------------|
| PA40-44-01-DP | 40-ADZ * | 44-40-01-DIP | 44PLUG |
| PA40-44-01-DP-PP | none * | 44-40-01-DIP | 44PLUG |

* The top board always has a 40 pin DIP production socket. The optional test socket plugs into the production socket.

Test Sockets

| LSC # | Style | Mfgr/Pn |
|-------|---------|------------------|
| 40ADZ | DIP ZIF | Aries 40-6554-11 |

When disassembling the adapter take care not to bend the pins. When reassembling the adapter note the pin 1 indicators to align the parts correctly.

Test Points

are available using the two rows of header pins.

Adapter Wiring

The following chart shows the connections from the DIP device to the adapter's PLCC plug.

| DIP Socket | PLCC Plug | PLCC Plug | DIP Socket |
|------------|-----------|-----------|------------|
| 1 | 1 | 44 | 40 |
| 2 | 2 | 43 | 39 |
| 3 | 3 | 42 | 38 |
| 4 | 4 | 41 | 37 |
| 5 | 5 | 40 | 36 |
| N/C | 6 | 39 | N/C |
| 6 | 7 | 38 | 35 |
| 7 | 8 | 37 | 34 |
| 8 | 9 | 36 | 33 |
| 9 | 10 | 35 | 32 |
| 10 | 11 | 34 | 31 |
| 11 | 12 | 33 | 30 |
| 12 | 13 | 32 | 29 |
| 13 | 14 | 31 | 28 |
| 14 | 15 | 30 | 27 |
| 15 | 16 | 29 | 26 |
| N/C | 17 | 28 | N/C |
| 16 | 18 | 27 | 25 |
| 17 | 19 | 26 | 24 |
| 18 | 20 | 25 | 23 |
| 19 | 21 | 24 | 22 |
| 20 | 22 | 23 | 21 |

Skip and short notation: (6, 17, 28, 39)