

PLEASE CHECK WWW.MOLEX.COM FOR LATEST PART INFORMATION

Part Number: [0533531871](#)
Status: **Active**
Description: 0.80mm (.031") Pitch Header, Surface Mount, Dual Row, Vertical Stacking, 7.00 and 8.00mm (.276 and .315") Stacking Heights, Lead-free, 18 Circuits

Documents:

[3D Model](#) [Product Specification PS-52588-032 \(PDF\)](#)
[Drawing \(PDF\)](#) [RoHS Certificate of Compliance \(PDF\)](#)
[Product Specification PS-52465-010 \(PDF\)](#)

General

Product Family PCB Headers
 Series [53353](#)
 Application Board-to-Board
 Product Name N/A

Physical

Breakaway No
 Circuits (Loaded) 18
 Circuits (maximum) 18
 Durability (mating cycles max) 30
 Glow-Wire Compliant No
 Lock to Mating Part None
 Mated Height (in) 0.276 In, 0.315 In
 Mated Height (mm) 7.00 mm, 8.00 mm
 Material - Metal Phosphor Bronze
 Material - Plating Mating Tin
 Material - Plating Termination Tin
 Number of Rows 2
 Orientation Vertical
 PCB Locator No
 PCB Retention None
 Packaging Type Embossed Tape on Reel
 Pitch - Mating Interface (in) 0.031 In
 Pitch - Mating Interface (mm) 0.80 mm
 Polarized to PCB No
 Stackable No
 Temperature Range - Operating -20°C to +105°C
 Termination Interface: Style Surface Mount

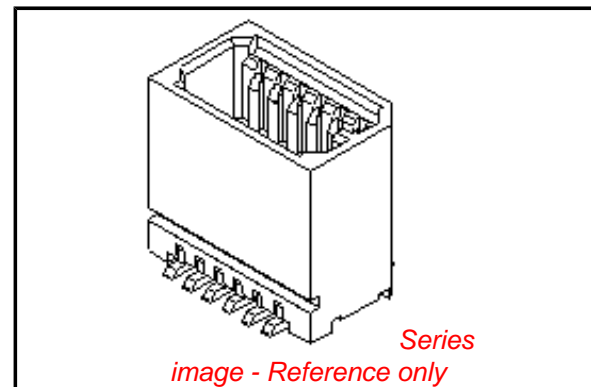
Electrical

Current - Maximum per Contact 0.5A
 Voltage - Maximum 50V

Material Info

Reference - Drawing Numbers

Product Specification PS-52465-010, PS-52588-032, RPS-52465-042, RPS-52465-044
 Sales Drawing SD-53353-003, SD-53353-004



EU RoHS

**ELV and RoHS
Compliant**
REACH SVHC
 Not Reviewed
**Halogen-Free
Status**
 Not Reviewed

China RoHS



**Need more information on product
environmental compliance?**

Email productcompliance@molex.com
 For a multiple part number RoHS Certificate of Compliance, [click here](#)

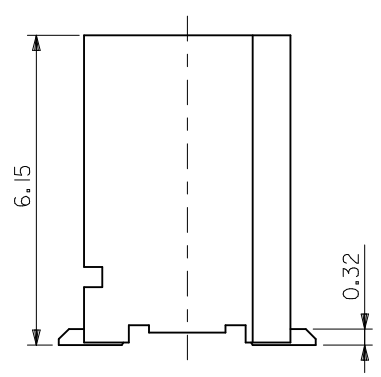
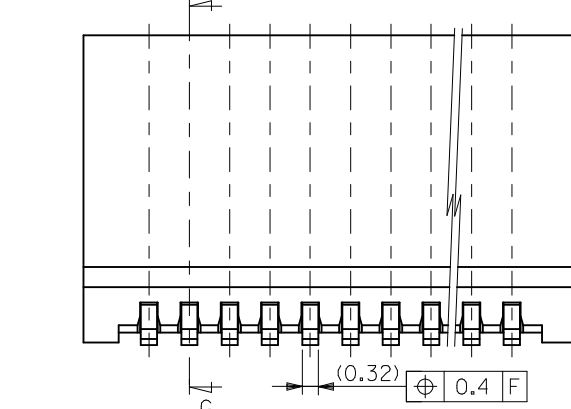
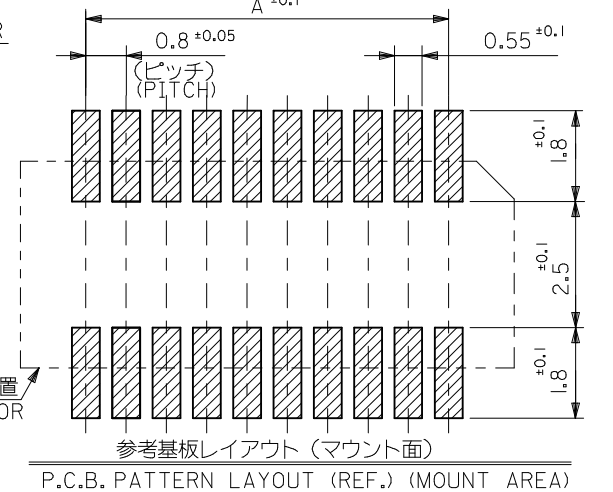
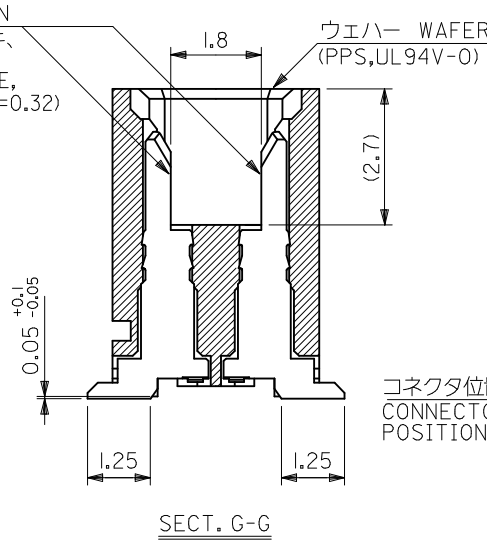
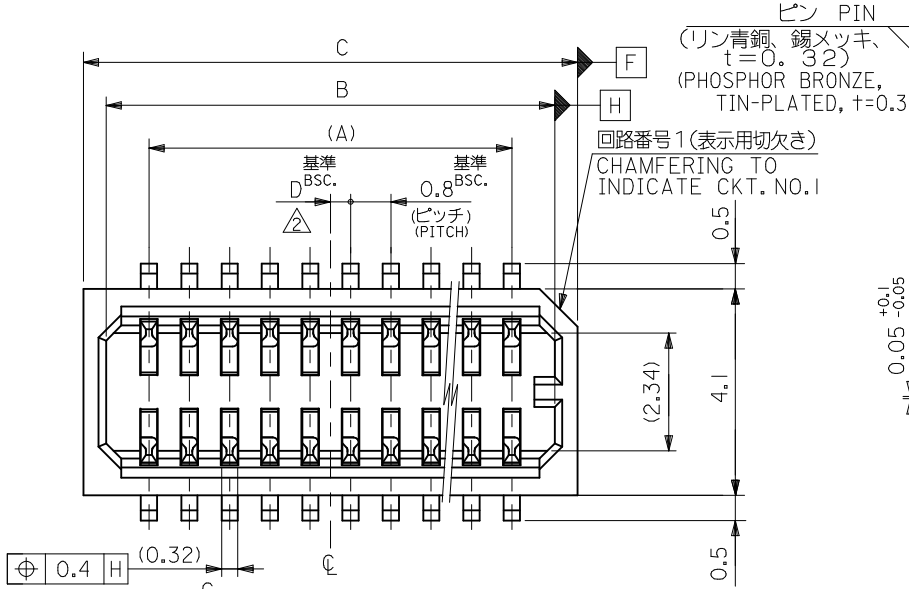
Please visit the [Contact Us](#) section for any non-product compliance questions.

Search Parts in this Series

[53353Series](#)

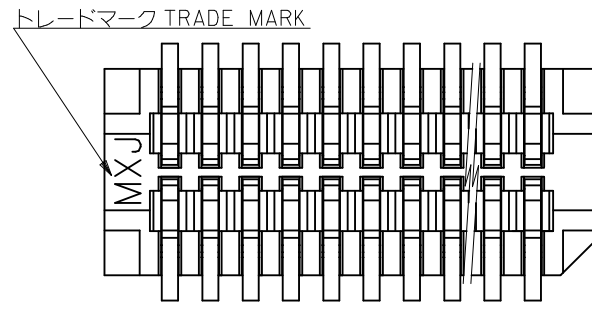
Mates With

[52465 PCB Receptacle](#), [52588 PCB Receptacle](#)



- 注記 NOTES
1. 嵌合相手: 52465, 52588 シリーズ
MATES WITH : 52465, 52588 SERIES
 2. ウェハーの ϕ から隣接するピンの ϕ 迄の位置を示す。
SHOW POSITION FROM ϕ OF WAFER TO ϕ OF ADJACENT PINS.
 3. ELV 及び RoHS 適合品。
ELV AND ROHS COMPLIANT.
 4. テール平坦度: 0.1MAX.
COPLANARITY : 0.1MAXIMUM

0.4	17.8	16.9	15.2	---	53353-4071	40
0.4	16.2	15.3	13.6	---	53353-3671	36
0.8	13.8	12.9	11.2	53353-3029	53353-3071	30
0.4	13.0	12.1	10.4	---	53353-2871	28
0.8	10.6	9.7	8.0	---	53353-2271	22
0.4	9.8	8.9	7.2	---	53353-2071	20
0.8	9.0	8.1	6.4	---	53353-1871	18
0.4	8.2	7.3	5.6	---	53353-1671	16
0.8	7.4	6.5	4.8	---	53353-1471	14
0.4	6.6	5.7	4.0	---	53353-1271	12
0.8	5.8	4.9	3.2	---	53353-1071	10

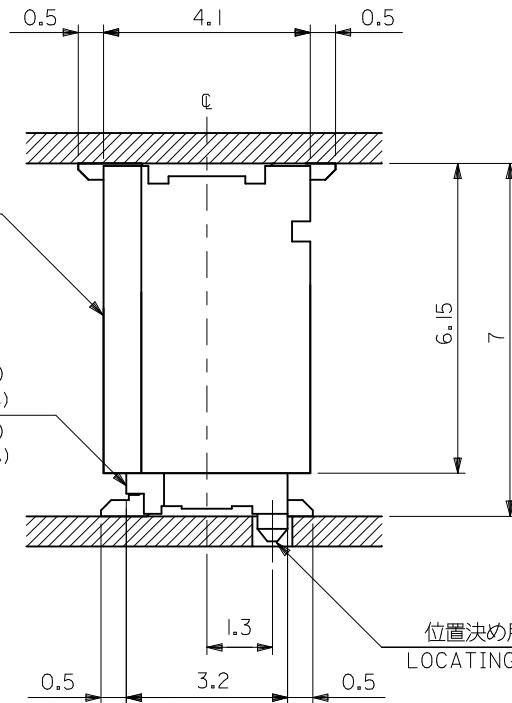


REVISED EC NO: J2010-0376 DRWN:TKAIHO 2009/09/25 CHKD:SMARUYAMA 2009/09/25 APPR:MSASAO 2009/09/25	DESCRIPTION REV	GENERAL TOLERANCES (UNLESS SPECIFIED)		DIMENSION STYLE MM ONLY		SCALE METRIC		DESIGN UNITS THIRD ANGLE PROJECTION	
		10 UNDER	± ---	DRAWN BY Y. WADA	DATE 2004/3/4	TITLE 0.8 B/B CONN. WAFER ASSY ST. SMT(WITHOUT BOSS)			
		10 OVER 30 UNDER	± ---	CHECKED BY M. SASAO	DATE 2004/3/4	MOLEX INCORPORATED			
		30 OVER	± ---	APPROVED BY M. SASAO	DATE 2004/3/4	DOCUMENT NO. SD-53353-003			
ANGULAR ± --- °		DRAFT WHERE APPLICABLE MUST REMAIN WITHIN DIMENSIONS		MATERIAL NO. SEE CHART		SHEET NO. 1 OF 2			

53353-***29 (位置決め用ボス無)
(WITHOUT LOCATING BOSS)

嵌合相手 MATES WITH
52465-***19 (位置決め用ボス付)
(WITH LOCATING BOSS)

52465-***29 (位置決め用ボス無)
(WITHOUT LOCATING BOSS)

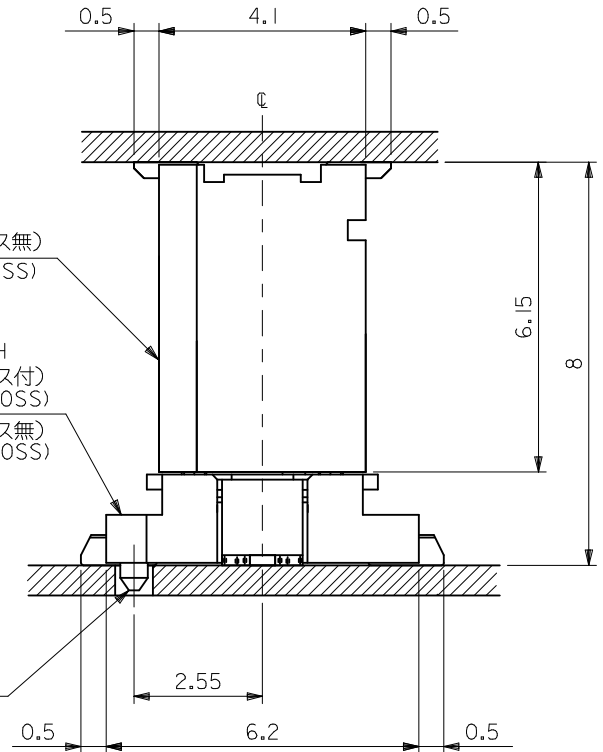


53353-***29 (位置決め用ボス無)
(WITHOUT LOCATING BOSS)

嵌合相手 MATES WITH
52588-**** (位置決め用ボス付)
(WITH LOCATING BOSS)

52588-**** (位置決め用ボス無)
(WITHOUT LOCATING BOSS)

位置決め用ボス
LOCATING BOSS



嵌合状態図 (参考)
MATED DRAWING (REF.)

REVISED	EC NO: J2010-0376	2009/09/25
	DRWN:TKAIHO	2009/09/25
	CHKD:SMARUYAMA	2009/09/25
	APPR:MSASAO	2009/09/25
	REV A	

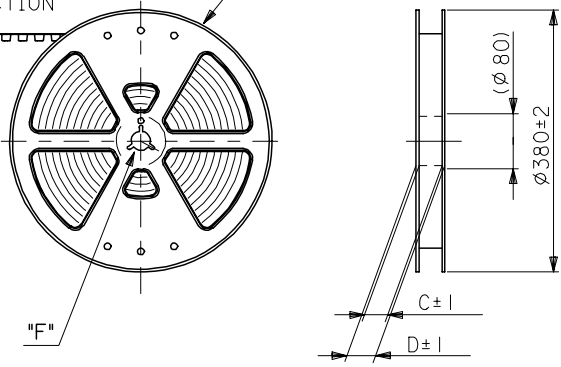
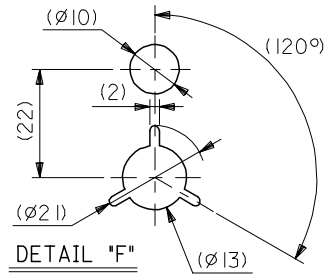
GENERAL TOLERANCES (UNLESS SPECIFIED)	
10 UNDER	± ---
10 OVER 30 UNDER	± ---
30 OVER	± ---
ANGULAR	± --- °
DRAFT WHERE APPLICABLE MUST REMAIN WITHIN DIMENSIONS	

DIMENSION STYLE MM ONLY	
DRAWN BY Y. WADA	DATE 2004/3/4
CHECKED BY M. SASAO	DATE 2004/3/4
APPROVED BY M. SASAO	DATE 2004/3/4
MATERIAL NO. SEE CHART	
SIZE A3	THIS DRAWING CONTAINS INFORMATION THAT IS PROPRIETARY TO MOLEX INCORPORATED AND SHOULD NOT BE USED WITHOUT WRITTEN PERMISSION

CONNECTOR SERIES No. : 53353-***29		
SCALE ---	DESIGN UNITS METRIC	THIRD ANGLE PROJECTION
TITLE 0.8 B/B CONN. WAFER ASSY ST. SMT(WITHOUT BOSS)		
MOLEX INCORPORATED		
DOCUMENT NO. SD-53353-003	SHEET NO. 2 OF 2	

引き出し方向
PULL OUT DIRECTION

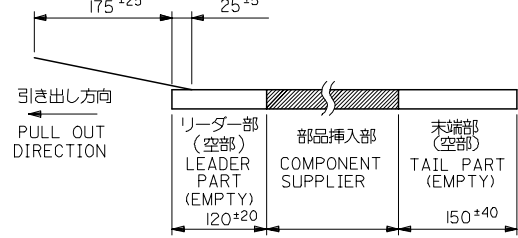
REEL



注記 NOTES

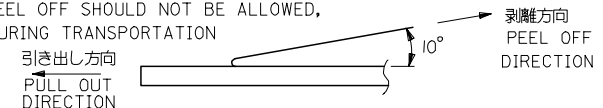
1. 梱包数量：1000個/リール NUMBER OF CONNECTORS:1000PCS/REEL
2. リードテープ長さ LEAD TAPE LENGTH

トップテープ TOP TAPE
リーダー部 LEADER PART トップテープ TOP TAPE
未接着部 NON-BONDED PART



3. トップテープの剥離強度：(剥離方向は下図参照)
0. 1~1. 3N {10~130gf} 尚、本規格値は、出荷時に適用。
(但し、輸送時に剥離が発生しない事。)

PEELING OFF FORCE OF TOP TAPE
0. 1~1. 3N {10~130gf} (PEELING DIRECTION AS SHOWN IN FOLLOWING FIG.)
THIS REQUIREMENT SHOULD BE APPLIED AT SHIPMENT
PEEL OFF SHOULD NOT BE ALLOWED,
DURING TRANSPORTATION

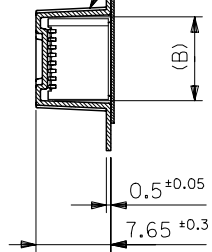


4. 材料 MATERIAL
キャリアテープ：ポリプロピレン (PP) CARRIER TAPE:POLYPROPYLENE
トップテープ：PET, PE, PEF TOP TAPE:PET,PE,PEF
リール：ポリスチレン (PS) REEL:POLYSTYRENE(PS)
<リサイクル材を含む> <RECYCLE MATERIAL CONTAIND>

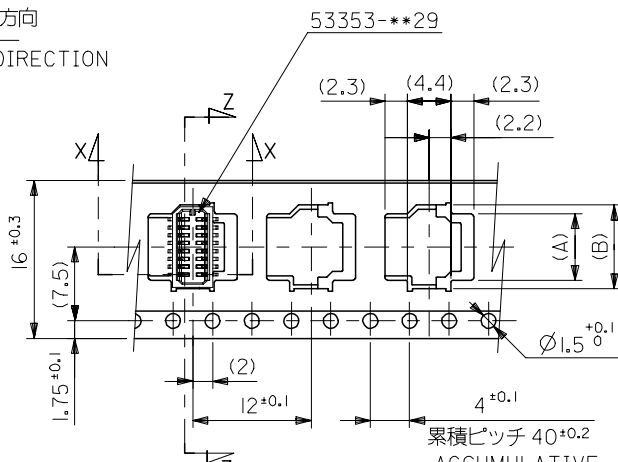
5. 本製品は53353-**-91の鉛フリー品である。
THIS PRODUCT IS LEAD FREE OF 53353-**-91.

引き出し方向
PULL OUT DIRECTION

トップテープ
TOP TAPE

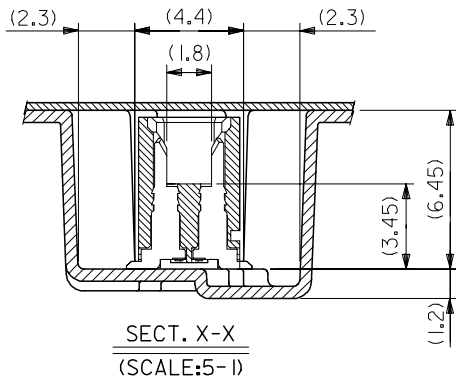


SECT. Z-Z



累積ピッチ 40±0.2
ACCUMULATIVE PITCH 40±0.2

16mm幅キャリアテープ
16mm WIDTH CARRIER TAPE

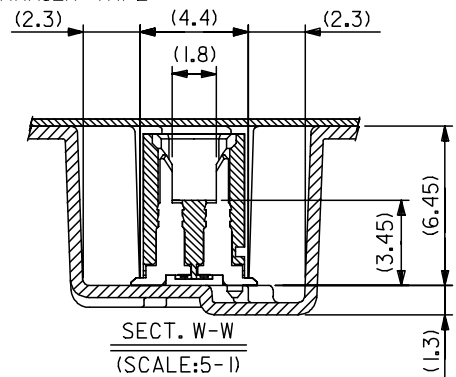
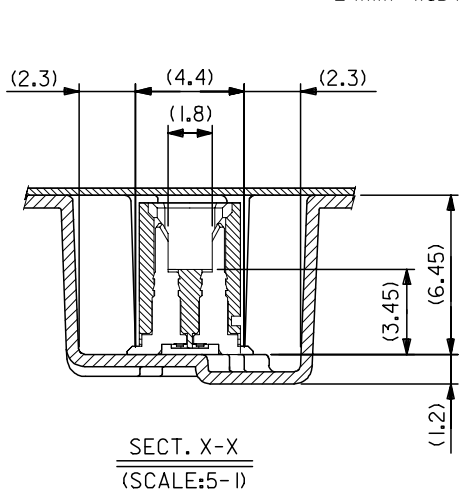
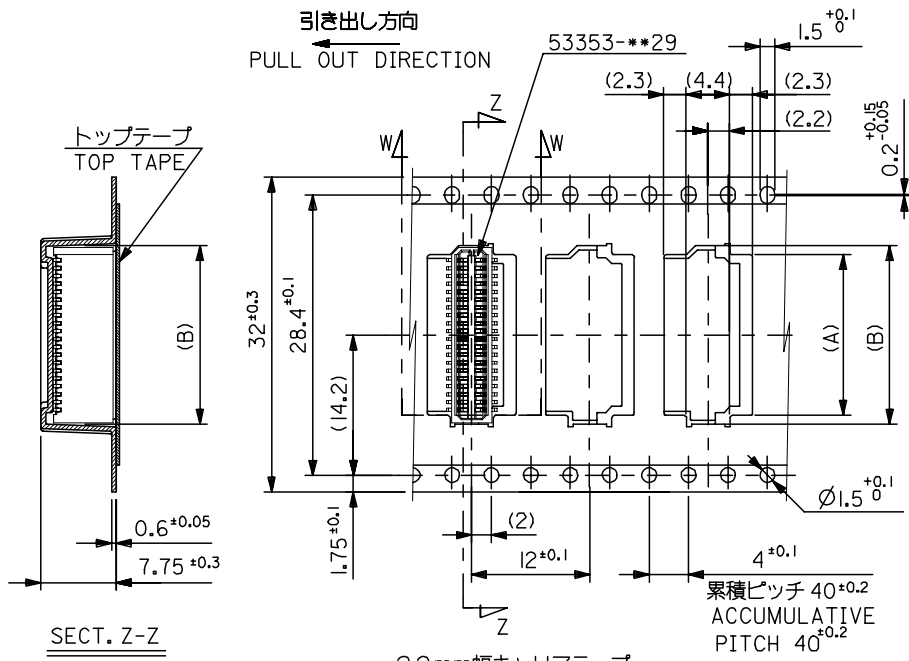
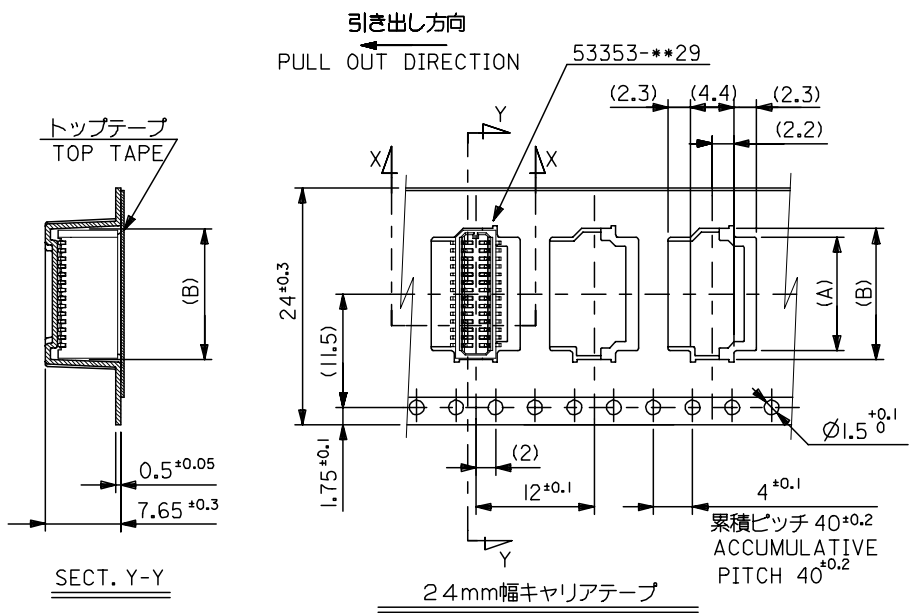


SECT. X-X
(SCALE:5-1)

16	21.4	17.4	8.5	6.7	53353-1671	16
			7.7	5.9	53353-1471	14
			6.9	5.1	53353-1271	12
			6.1	4.3	53353-1071	10
キャリアテープ幅 CARRIER TAPE WIDTH	D	C	(B)	(A)	MATERIAL NO.	極数 CIRCUIT

MODEL NO. 53353-**-91

REVISED EC NO: J2005-2159 DRAWN:KENSUJUKI 2005/01/26 CHKD:NUKITA 2005/01/26 APPR:NUKITA 2005/02/02 REV A	GENERAL TOLERANCES (UNLESS SPECIFIED)		DIMENSION STYLE MM ONLY		SCALE ---	DESIGN UNITS METRIC	THIRD ANGLE PROJECTION
	10 UNDER	±0.2	DRAWN BY YWADA	DATE 2004/03/04	TITLE 0.8 BTB CONN WAFER ASSY ST SMT WITHOUT BOSS EMBTP PKG -LEAD FREE-		
	10 OVER 30 UNDER	±0.25	CHECKED BY MSASAO	DATE 2004/03/04	APPROVED BY MSASAO 2004/03/04		
	30 OVER	±0.3	APPROVED BY MSASAO 2004/03/04		MOLEX INCORPORATED		
	ANGULAR	±3 °	MATERIAL NO. SEE CHART		DOCUMENT NO. SD-53353-004	SHEET NO. 1 OF 2	
DRAFT WHERE APPLICABLE MUST REMAIN WITHIN DIMENSIONS		THIS DRAWING CONTAINS INFORMATION THAT IS PROPRIETARY TO MOLEX INCORPORATED AND SHOULD NOT BE USED WITHOUT WRITTEN PERMISSION					



キャリアテープ幅 CARRIER TAPE WIDTH		D		C		(B)	(A)	MATERIAL NO.	極数 CIRCUIT
32	37.4	33.4	18.1	16.3	53353-4071	40			
			16.5	14.7	53353-3671	36			
24	29.4	25.4	14.1	12.3	53353-3071	30			
			13.3	11.5	53353-2871	28			
			10.9	9.1	53353-2271	22			
			10.1	8.3	53353-2071	20			
			9.3	7.5	53353-1871	18			

REVISED EC NO: J2005-2159 DRAWN: KENSUJUKI 2005/01/26 CHK'D: NUKITA 2005/01/26 APPR: NUKITA 2005/02/02	GENERAL TOLERANCES (UNLESS SPECIFIED)		DIMENSION STYLE MM ONLY		SCALE ---	DESIGN UNITS METRIC	THIRD ANGLE PROJECTION		
	10 UNDER ±0.2 10 OVER 30 UNDER ±0.25 30 OVER ±0.3	DRAFT WHERE APPLICABLE MUST REMAIN WITHIN DIMENSIONS		DRAWN BY YWADA	DATE 2004/03/04	TITLE 0.8 BTB CONN WAFER ASSY ST SMT WITHOUT BOSS EMBTP PKG -LEAD FREE-			
	APPROVED BY MSASAO		DATE 2004/03/04		MOLEX INCORPORATED				
	MATERIAL NO. SEE CHART		DOCUMENT NO. SD-53353-004		SHEET NO. 2 OF 2				

SIZE A3 THIS DRAWING CONTAINS INFORMATION THAT IS PROPRIETARY TO MOLEX INCORPORATED AND SHOULD NOT BE USED WITHOUT WRITTEN PERMISSION