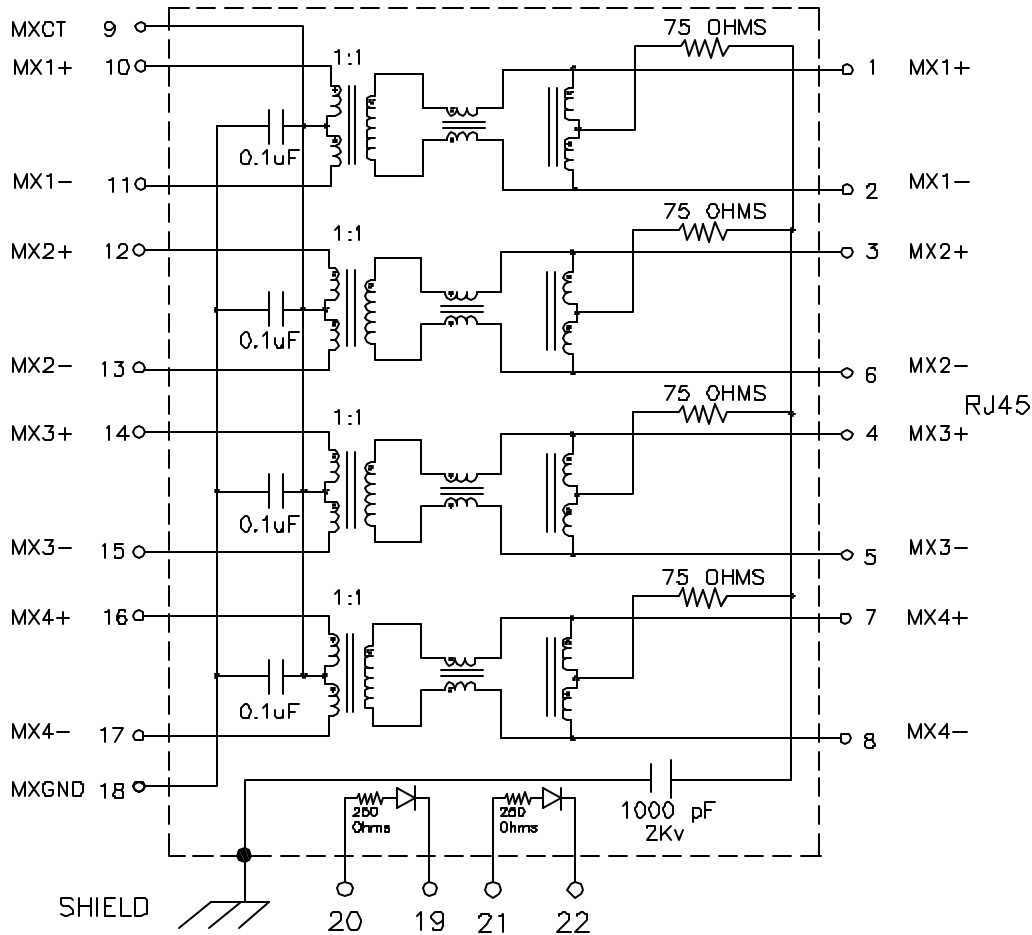


Schematic:



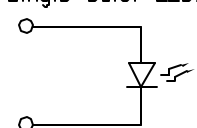
Electrical Specifications: @25°C

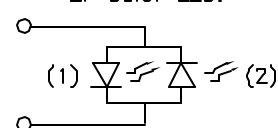
- Isolation Voltage: 1500 Vrms
- Common Mode Rejection: @1-100MHz -30dB Min
- CMDR: @1-100MHz -35dB Min
- Crosstalk: @1-100MHz -28dB Min
- Insertion Loss (1-100MHz): -1.1dB Max
- Return Loss: @1-40MHz -16dB Min
- @40-100MHz $-(10-20\text{Log}(f/80))$ Min

Complete the Combo P/N as follows:

Replace 'x' & 'u' in the part number with one of the LED color letters:

Y=Yellow	'x' = Left LED Color
G=Green	'u' = Right LED Color
A=Amber	
R=Red	
C=Green(1)/Amber(2) Bicolor	
D=Amber(1)/Green(2) Bicolor	
M=Green(1)/Yellow(2) Bicolor	
N=Yellow(1)/Green(2) Bicolor	
P=Red(1)/Green(2) Bicolor	
Q=Green(1)/Red(2) Bicolor	

Single Color LED: 

Bi-Color LED: 

- Notes:
1. Solderability: Leads shall meet MIL-STD-202G, Method 208H for solderability.
 2. Flammability: UL94V-0
 3. ASTM oxygen index: > 28%
 4. Insulation System: Class F 155°C. UL file E151556
 5. Operating Temperature Range: All listed parameters are to be within tolerance from -40°C to +85°C
 6. Storage Temperature Range: -55°C to +125°C
 7. Aqueous wash compatible
 8. Electrical and mechanical specifications 100% tested
 9. RoHS Compliant Component

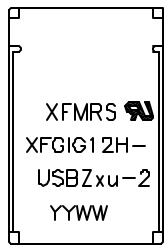
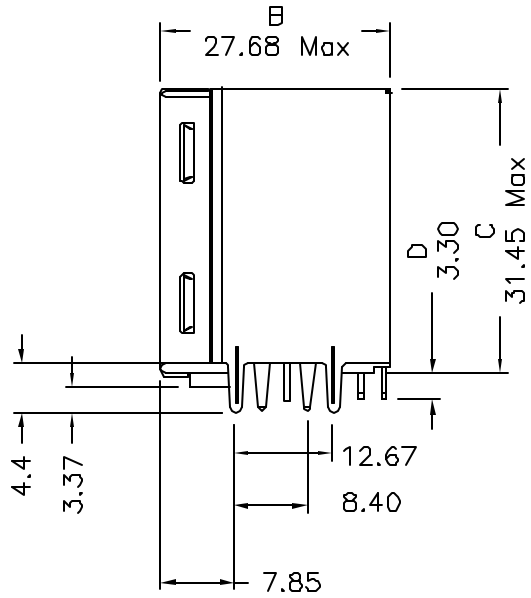
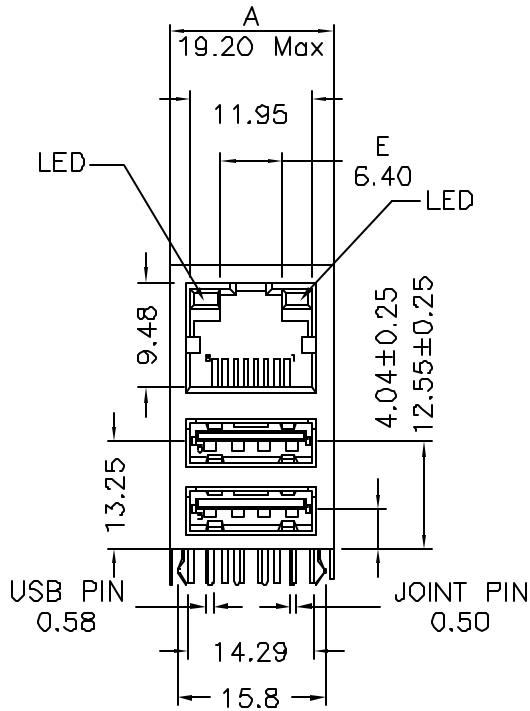
DOC. REV A/3

PROPRIETARY:

Document is the property of XFMRs Group & is not allowed to be duplicated without authorization.

XFMRs Inc. www.XFMRs.com	Title: RJ45/DUAL USB GIGABIT COMBO		
	UNLESS OTHERWISE SPECIFIED	P/N: XFGIG12H-USBZxu-2	REV. A
TOLERANCES: .xxx ±0.010	DWN.	罗振江	Nov-15-07
Dimensions in Inch	CHK.	廖玉坤	Nov-15-07
SHEET 1 OF 3	APP.	MS	Nov-15-07

Mechanical Dimensions:



TOP VIEW

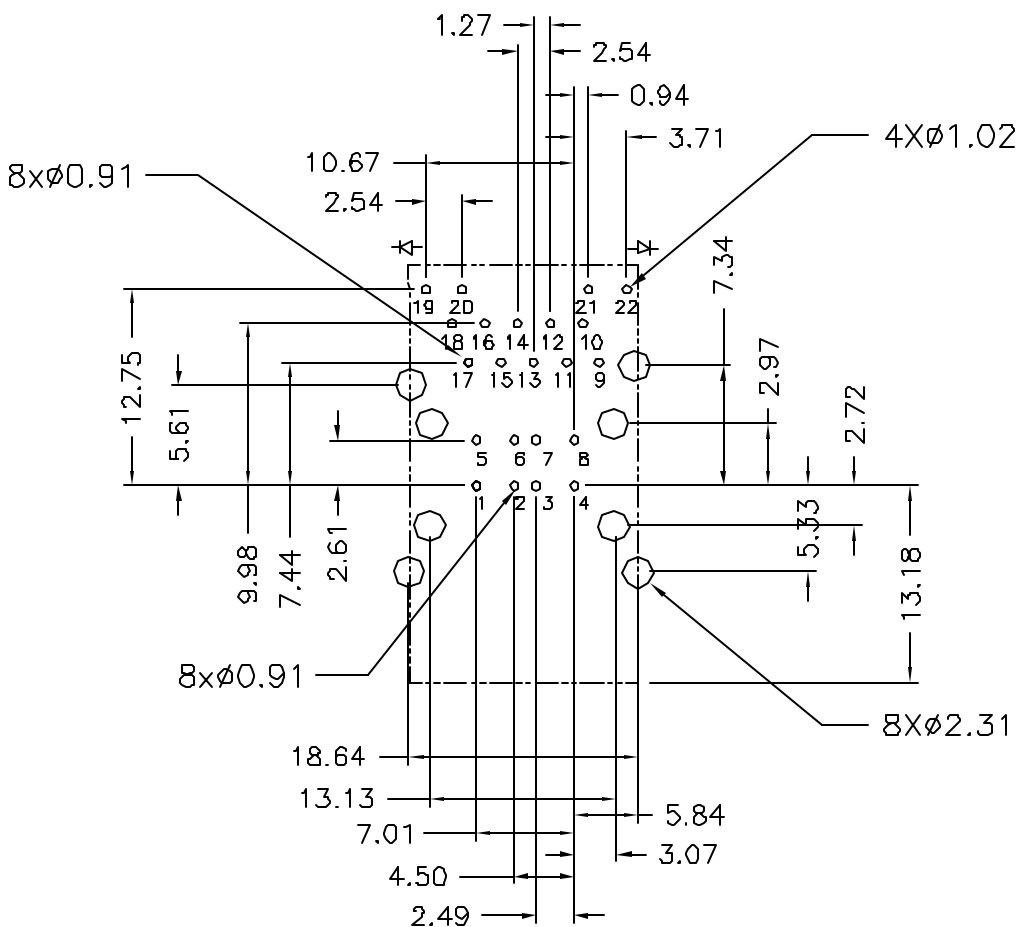
DOC. REV. A/3

PROPRIETARY:

Document is the property of XFMRS Group & is not allowed to be duplicated without authorization.

XFMRS Inc. www.XFMRS.com		Title: RJ45/DUAL USB GIGABIT COMBO	
UNLESS OTHERWISE SPECIFIED TOLERANCES: .x ±0.25 Dimensions in MM		P/N: XFGIG12H-USBZxu-2	REV. A
DWN.	Juan Mao	Nov-15-07	
CHK.	YK Liao	Nov-15-07	
SHEET 2 OF 3	APP.	MS	Nov-15-07

3. Mechanical Dimensions (cont.):



SUGGESTED PC BOARD LAYOUT VIEW
FROM COMPONENT SIDE

DOC. REV. A/3

PROPRIETARY:

Document is the property of XFMRS Group & is not allowed to be duplicated without authorization.

XFMRS Inc. www.XFMRS.com		Title: Mechanical Dimensions For STACKED RFMAG USB COMBO	
UNLESS OTHERWISE SPECIFIED TOLERANCES: .xx \pm 0.25 Dimensions in MM		P/N: XFGIG12H-USBZxu-2	REV. A
	DWN.	李小锋	Nov-15-07
	CHK.	廖玉坤	Nov-15-07
SHEET 3 OF 3	APP.	MS	Nov-15-07