

KR Electronics, Inc.

General Description

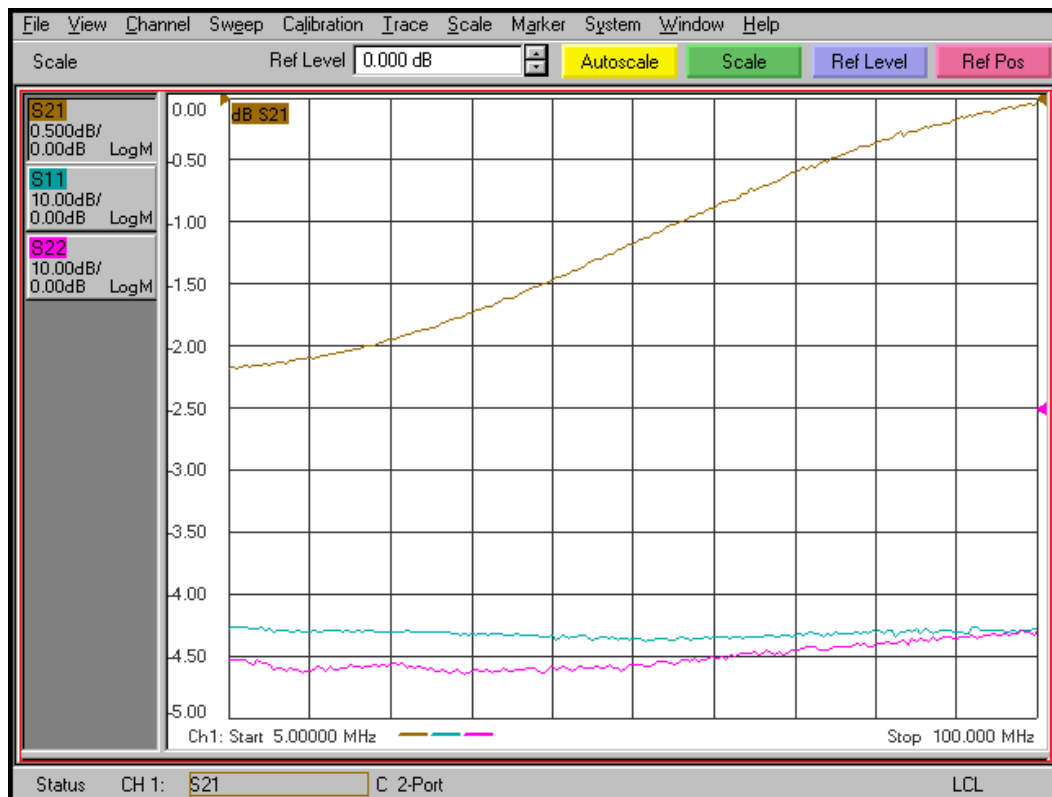
KR Electronics part number 3141 is a 5 to 100 MHz highpass equalizer. The equalizer has a 2 dB Slope. Other bandwidths and slopes are available. Please consult the factory.

Features

- Equalizer
- Good for Amplitude Equalization
- 2 dB Slope
- Other Slopes Available
- F Connectors
- 50 Ω Source and Load

Typical Performance

Overall Response & Return Loss (0.5 dB/div & 10 dB/div)



KR Electronics, Inc.
91 Avenel Street
Avenel, NJ 07001

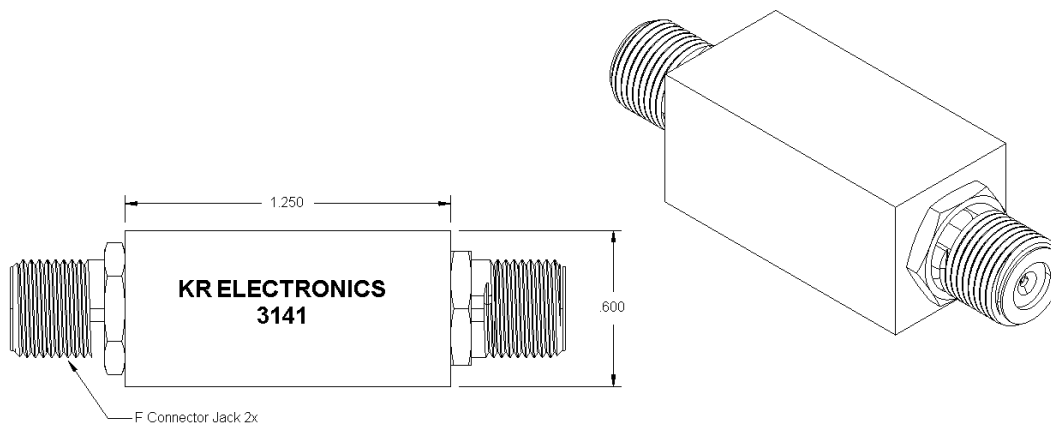
Web www.krfilters.com
Email sales@krfilters.com
Phone (732) 636-1900
Fax (732) 636-1982

KR Electronics 3141

Specifications

Parameter	Specification
Filter type	Highpass Equalizer
Frequency Band	5 MHz to 100 MHz
Slope	2 dB
Source and Load	50 Ω

Physical Dimensions



Notes:

1. Dimensions in inches
2. Rectangular case 0.6" x 0.6" x 1.25"
3. F Connectors In/Out

KR Electronics, Inc.
91 Avenel Street
Avenel, NJ 07001

Web www.krfilters.com
Email sales@krfilters.com
Phone (732) 636-1900
Fax (732) 636-1982