

High-density Signal Conditioners 10-RACK

PT TRANSMITTER

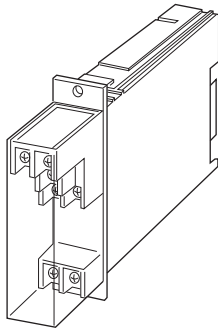
(RMS sensing)

Functions & Features

- Converting an alternating voltage from a potential (voltage) transformer into two standard process signals
- Minimum ripple
- Optional second channel output available at the front terminals and at the Standard Rack connector

Typical Applications

- Centralized monitoring and control of power line and power supply voltage measured at switch boards
- Monitoring abnormal voltage drops for detecting overload



MODEL: 10PE-[1][2][3]-R[4]

ORDERING INFORMATION

- Code number: 10PE-[1][2][3]-R[4]
Specify a code from below for each [1] through [4].
(e.g. 10PE-1A6-R/Q)
- Specify the specification for option code /Q
(e.g. /C01)

[1] INPUT

Voltage

- 1: 0 - 110 V AC
- 5: 0 - 150 V AC

[2] OUTPUT 1

Current

- A: 4 - 20 mA DC (Load resistance 600 Ω max.)
- B: 2 - 10 mA DC (Load resistance 1200 Ω max.)
- C: 1 - 5 mA DC (Load resistance 2400 Ω max.)
- D: 0 - 20 mA DC (Load resistance 600 Ω max.)
- E: 0 - 16 mA DC (Load resistance 750 Ω max.)

F: 0 - 10 mA DC (Load resistance 1200 Ω max.)

G: 0 - 1 mA DC (Load resistance 12 kΩ max.)

Voltage

- 1: 0 - 10 mV DC (Load resistance 10 kΩ min.)
- 2: 0 - 100 mV DC (Load resistance 100 kΩ min.)
- 3: 0 - 1 V DC (Load resistance 100 Ω min.)
- 4: 0 - 10 V DC (Load resistance 1000 Ω min.)
- 5: 0 - 5 V DC (Load resistance 500 Ω min.)
- 6: 1 - 5 V DC (Load resistance 500 Ω min.)

[3] OUTPUT 2

0: None

Voltage

- 6: 1 - 5 V DC (Load resistance 5000 Ω min.)

POWER INPUT

DC Power

R: 24 V DC

(Operational voltage range 24 V ±10 %, ripple 10 %p-p max.)

[4] OPTIONS

blank: none

/Q: With options (specify the specification)

SPECIFICATIONS OF OPTION: Q

COATING (For the detail, refer to M-System's web site.)

/C01: Silicone coating

/C02: Polyurethane coating

/C03: Rubber coating

GENERAL SPECIFICATIONS

Construction: Rack-mounted; terminal access via screw terminals at the front and via card-edge connector at the rear; terminal cover provided

Connection

Input: M3.5 screw terminals (torque 0.8 N·m)

Output: Card-edge connector and M3.5 screw terminals (torque 0.8 N·m)

Power input: Supplied from card-edge connector

Screw terminal: Nickel-plated steel

Housing material: Flame-resistant resin (black)

Isolation: Input to output 1 to output 2 to power

Input waveform: Up to 15 % of 3rd harmonic content

Overrange output: Approx. 0 to 120 % at 1 - 5V

Zero adjustment: -5 to +5 % (front)

Span adjustment: 95 to 105 % (front)

INPUT SPECIFICATIONS

Frequency: 50 or 60 Hz

Input burden: 0.5 VA max.

Overload capacity: 200 % of rating for 1 minute, 120 % continuous

Operational range: 0 - 120 % of rating

INSTALLATION

Current consumption: Approx. 35 mA with voltage output 1

Approx. 55 mA with current output 1

Operating temperature: -5 to +55°C (23 to 131°F)

Operating humidity: 30 to 90 %RH (non-condensing)

Mounting: Standard Rack 10BXx

Weight: 200 g (0.44 lb)

PERFORMANCE in percentage of span

Accuracy: ± 0.4 %

Temp. coefficient: ± 0.02 %/°C (± 0.01 %/°F)

Response time: ≤ 0.5 sec. (0 - 90 %)

Ripple: 0.5 %p-p max. (100/120 Hz)

Line voltage effect: ± 0.1 % over voltage range

Insulation resistance: ≥ 100 M Ω with 500 V DC

Dielectric strength: 2000 V AC @ 1 minute

(input to output 1 or output 2 or power)

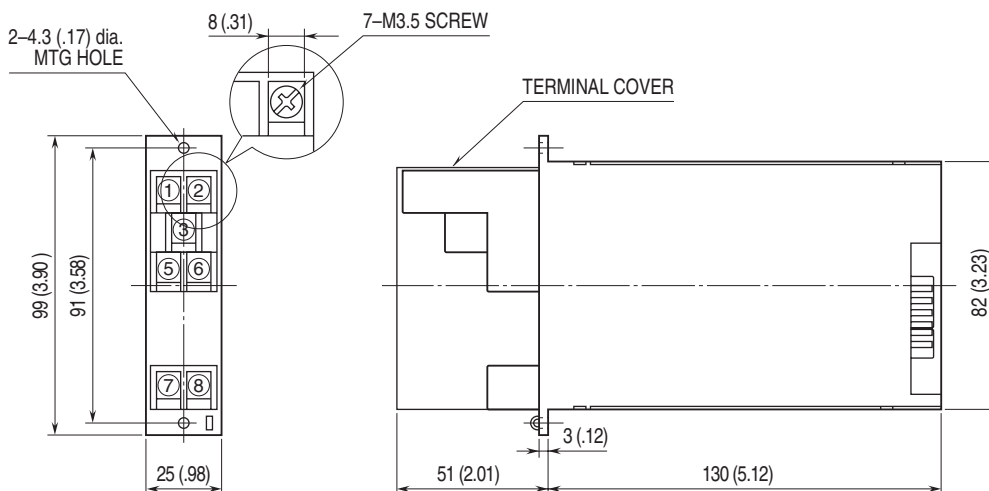
500 V AC @ 1 minute

(output 1 to output 2 to power)

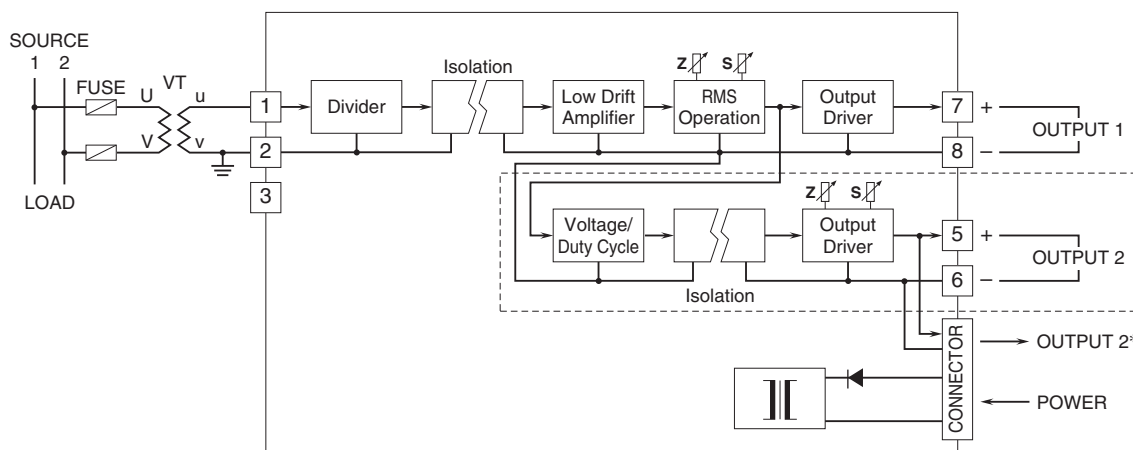
1500 V AC @ 1 minute

(input or output or power to ground)

EXTERNAL DIMENSIONS & TERMINAL ASSIGNMENTS unit: mm (inch)



SCHEMATIC CIRCUITRY & CONNECTION DIAGRAM



*1 output type has the output 1 connected to the card-edge connector in parallel.
 Remark 1) The section enclosed by broken line is only for 2nd output channel.



Specifications are subject to change without notice.