



NOTES:

Current Rating: 3.0AMP
 Contact Resistance: 20mΩ Max
 Withstand Voltage: 1000V AC/DC
 Insulation Resistance: 1000MΩ Min
 Operation Temperature: -40°C to +105°C

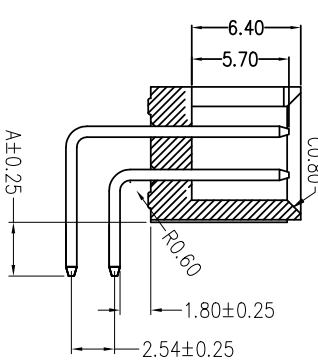
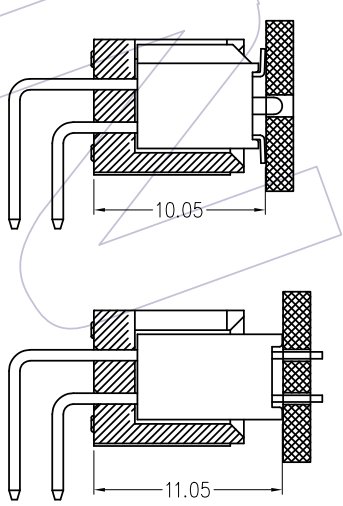
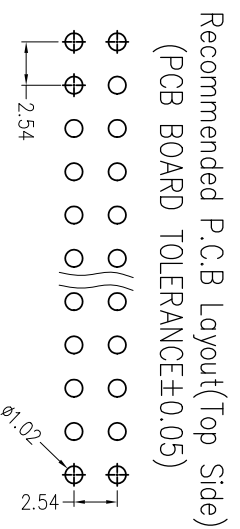
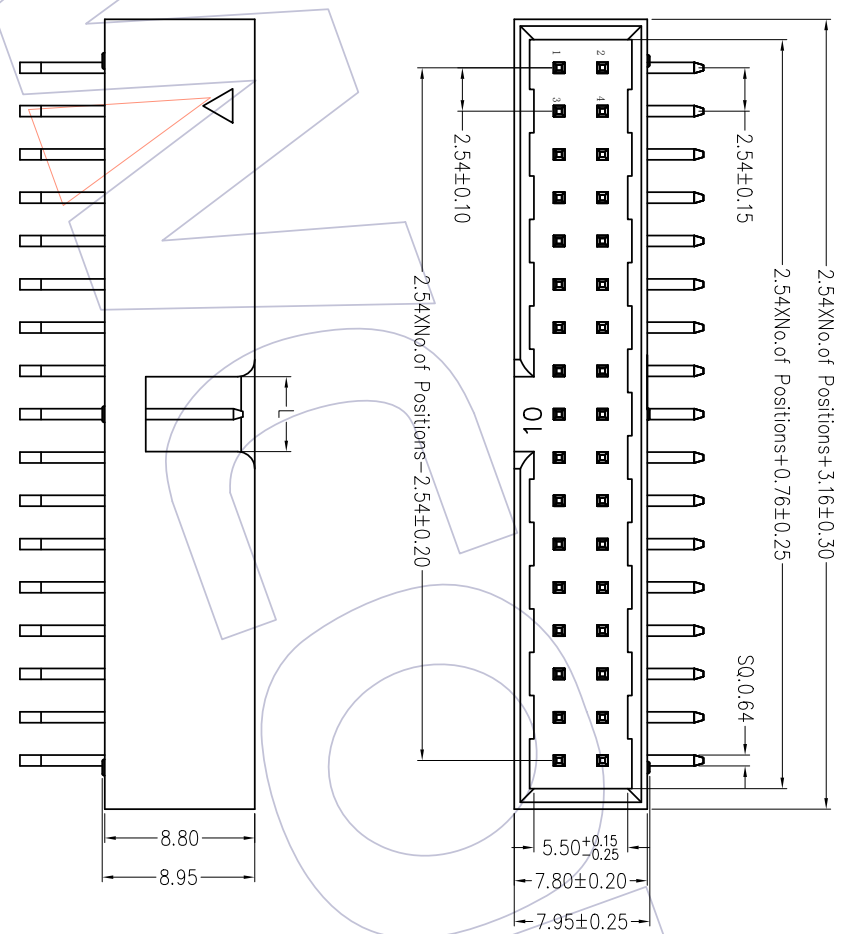
Contact Material: Brass
 Contact plating: Au over Ni
 Insulator Material: PA9T+30%G.F UL94V-0

Ordering Information

3110A-XX R XX B K00 XX

- No. of Pins: 02-80P
- Contact Plating: G0=Gold Flash, G3=10u"Gold, G4=15u"Gold, G5=30u"Gold, S0=Gold Flash/Tin, S3=10u"Gold/Tin, S4=15u"Gold/Tin, S5=30u"Gold/Tin, SN=Tin
- Color Insulator: B=Black, G=Gray(42°C)
- Packing: A=Tray, T=Tube

Dimension antitheses list	
NO. Pin	STANDARD(A)
6P-8P	L
	4.00
10P-80P	
	3.15mm
	4.40



REV	DATE	MODIFICATION DESCRIPTION	CHANGE	OPERATION	DRAW	DATE	SCALE	FIT	PART NO.	TITLE:	WCON-Dongguan	WCON-Kunshan
A0	2017/07/10	NEW	-----	XX	Chen.	2017/07/10	±0.40	mm	3110A-XXRGOBKXXXX	2.54 BOX HEADER 90° H=8.95	Tel: +86 769 85358920 Fax: +86 769 85358915 E-mail: sales@wcon.com	Tel: +86 512 57468408 Fax: +86 512 57468468 E-mail: sales@wcon.com
REV	DATE	MODIFICATION DESCRIPTION	CHANGE	XX	CHECK	DATE	±0.25	A4			Http: www.wcon.com	
				X.XXX	CHECK	DATE	±0.15	1/1				
				Angle	APPROVE	DATE	± 3'					
				DIM			TOL					



WCON-Dongguan
 Tel: +86 769 85358920
 Fax: +86 769 85358915
 E-mail: sales@wcon.com

WCON-Kunshan
 Tel: +86 512 57468408
 Fax: +86 512 57468468
 E-mail: sales@wcon.com