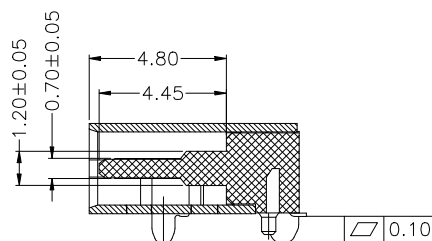
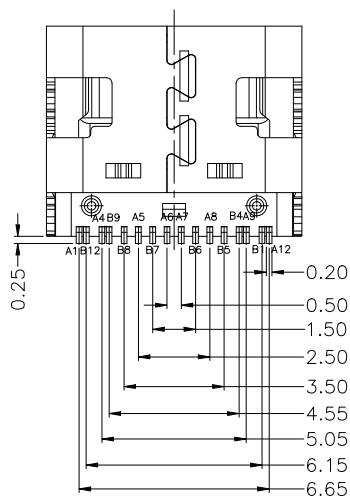
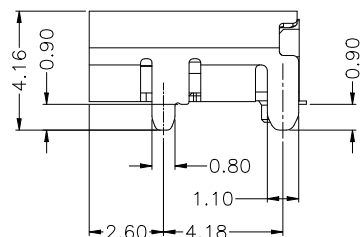
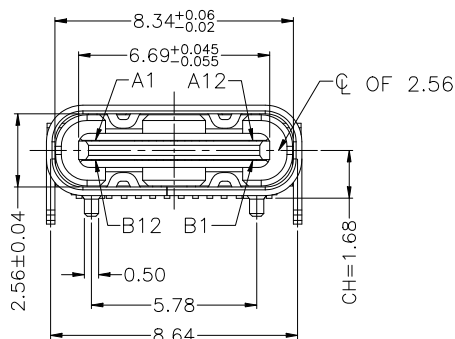
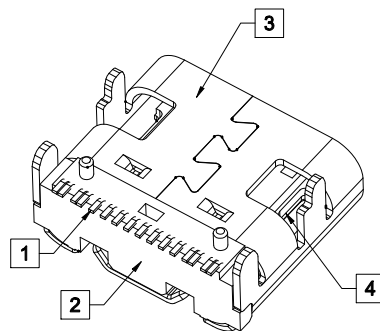
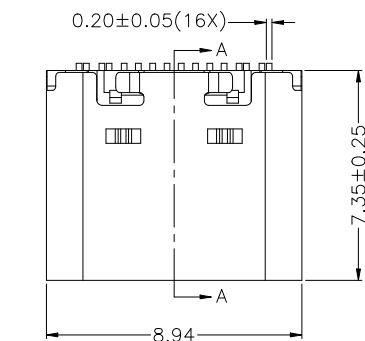


REV.	ECN. NO.	NAME	DATE



SECTION:A-A

PART NO: UC4273XLB04

- 1-gold plated 1u"
- 2-gold plated 3u"
- 3-gold plated 6u"
- 4-gold plated 15u"
- 5-gold plated 20u"
- 6-gold plated 30u"
- 7-gold plated 50u"

NOTE:

1.PLATING SPECIFICATION:

1-1.CONTACTS:

Ni 50u" MIN. UNDER PLATED OVER ALL.
Au PLATED ON THE FUNCTIONAL AREA OF CONTACT.
(GOLD PLATING THICKNESS FOLLOW THE P/N)

PLATING SPECIFICATIONS OF THE SOLDER AREA FOLLOW THE P/N

1-2.FRONT SHELL:

Ni 30u" MIN. UNDER PLATED OVER ALL.

1-3.SHIELD PLATE&EMI PLATE: CLEAR ONLY

2.MECHANICAL PERFORMANCE,

2-1.INSERTION FORCE: 0.5~2.0kgf.

2-2.EXTRACTION FORCE: 0.8kgf~2.0kgf.

2-3.DURABILITY: 10000 CYCLES.

3.ELECTRICAL PERFORMANCE,

3-1. CURRENT RATING:5.0A

VOLTAGE RATING:5.0V

3-2. LLCR:

VBUS & GND PINS AND OTHER PINS: 40mΩ/PIN MAX.

SHIELD: 50mΩ/MAX.

LLCR MAX. CHANGE OF ALL PINS: 10mΩ.

3-3.INSULATION RESISTANCE: 100MΩ MIN

3-4.DIELECTRIC WITHSTAND VOLTAGE,AC 100V FOR 1 MINUTE.

4.ENVIRONMENTAL PERFORMANCE:

OPERATING TEMPERATURE: -25°C~+85°C.

5.IR REFLOW:

THE PEAK TEMPERATURE ON THE BOARD SHALL

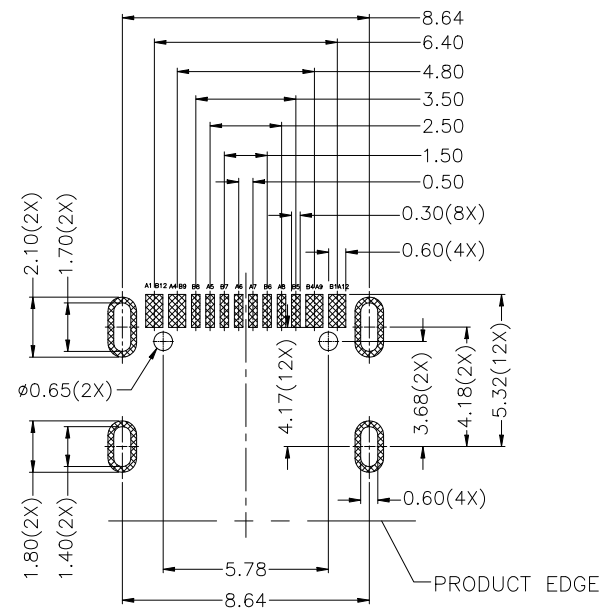
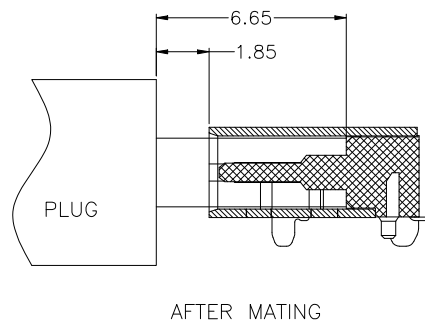
BE MAINTAINED FOR 10 SECONDS AT 260°C.

Item	Title	Material	Dispose	Q'TY
1	Terminal	Copper Alloy	Mating Area:See P/N Solder Tails:Au	16PCS
2	Housing	HIGH TEMPERATURE PLASTIC	Black,UL94V-0	1PCS
3	Shell	Stainless Steel	Plating Ni	1PCS
4	Mid plate	Stainless Steel	Clear Only	1PCS

TOLERANCE UNSPECIFIED		VITALCON a vital connector company		FOR YOUR VITAL CONNECTION	
.0	±0.38			TITLE: USB C TYPE SMT 7.35 CONN WITH POST	
.00	±0.25	DRAWN BY: BECKER			
.000	±0.10	PART NO: UC4273XLB04		REV: A	
ANGLE	±3.00°	SIZE: A4		UNIT: mm	SHEET: 10F2
MANUFACTURING COPY		APPROVED BY: QPF		PROJECTION	http://www.vitalconn.com

RoHS Compliant

REV.	ECN. NO.	NAME	DATE



USB TYPE-C PIN ASSIGNMENTS

PIN NUMBER	SIGNAL NAME	PIN NUMBER	SIGNAL NAME
A1	GND	B12	GND
A4	VBUS	B9	VBUS
A5	CC1	B8	SBU2
A6	Dp1	B7	Dn2
A7	Dn1	B6	Dp2
A8	SBU1	B5	CC2
A9	VBUS	B4	VBUS
A12	GND	B1	GND

RECOMMENDED PCB LAYOUT(TOP VIEW)
THICKNESS 0.80MM;DEFAULT TOLERANCE:±0.05

RoHS Compliant

TOLERANCE UNSPECIFIED				FOR YOUR VITAL CONNECTION	
.0	±0.38			TITLE: USB C TYPE SMT 7.35 CONN WITH POST	
.00	±0.25	DRAWN BY: BECKER		PART NO: UC4273XLB04	REV: A
.000	±0.10	CHECKED BY: VTA		SIZE: A4	UNIT: mm
ANGLE	±3.00°	APPROVED BY: QPF		PROJECTION	SHEET: 20F2
MANUFACTURING COPY				http://www.vitalconn.com	