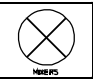
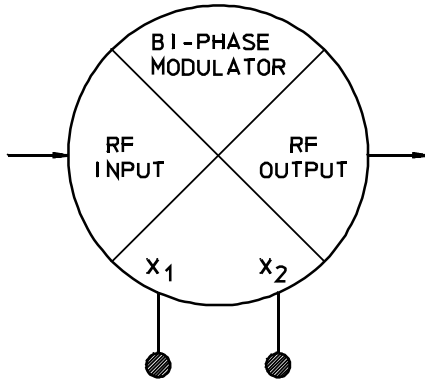




BPM-2A Series

BIPHASE MODULATORS

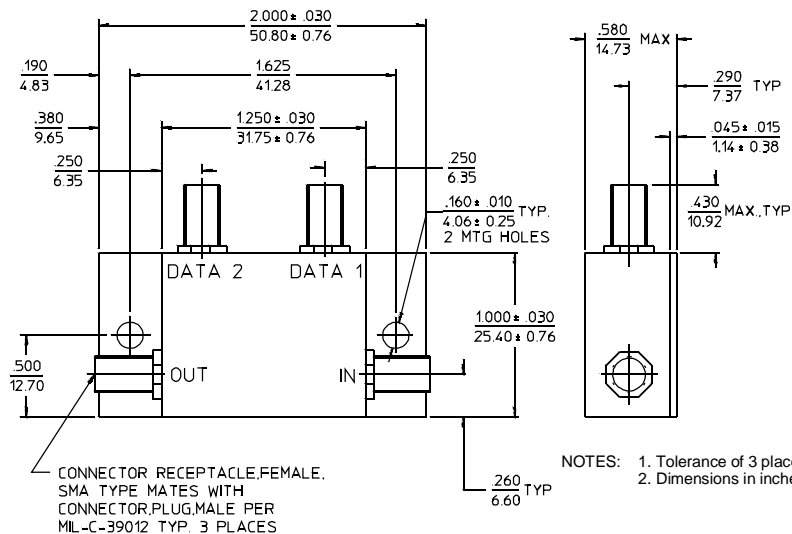
2 to 2000 MHz / ECL & TTL Compatible / Fast Switching / SMA Connectors



PRINCIPAL SPECIFICATIONS

Model Number	Frequency Range, MHz	Insertion Loss, dB,		Amplitude Balance, dB,		Phase Balance		Carrier Suppression Typ.
		Max.	Typ.	Max.	Typ.	Max.	Typ.	
BPM-2A-250	2 – 500	3.5	2.5	0.3	0.10	±4°	±2°	- 40 dBc
BPM-2A-500	10 – 500	3	2	0.3	0.20	±3°	±1°	- 40 dBc
	500 – 1000	4	3	0.5	0.20	±4°	±2°	- 35 dBc
BPM-2A-1500	1000 – 2000	6	5	0.75	0.25	±5°	±2°	- 30 dBc

A-Package Outline



General Notes:

1. The BPM-2A Series Biphase Modulators cover the frequency range of 2 to 2000 MHz and is ideal for general applications. Other models available in surface mount packages are electrically similar to the standard flatpack units but have extended frequency range up to 3.6 GHz with proportionately fast risetimes.
2. Customized versions are available for special frequency bands matched to your special applications. Most units are available in a variety of alternative packages such as the TO-8, flatpack or connectorized packages. TTL or ECL drivers can be provided in the larger packages.
3. Merrimac Biphase Modulators cover a variety of frequency bands while providing wide bandwidths suitable for most applications.
4. All units comply with applicable sections MIL-M-28837 and may be supplied screened for compliance with additional specifications for military and space applications requiring the highest reliability.

29Apr96

GENERAL SPECIFICATIONS

Impedance:	5	0 Ω nom.
RF Input Level:		- 3 dBm max.
VSWR:		2.0:1 max.
Switching Speed:		2 ns typ.
Data Levels: Logic 1:	+ 15 mA	
Logic 0:	- 15 mA	
Weight, nominal:		1.5 oz (42 g)
Operating Temperature:		- 55° to +85°C

For further information contact **MERRIMAC / 41 Fairfield Pl., West Caldwell, NJ, 07006 / 973-575-1300 / FAX 973-575-0531**