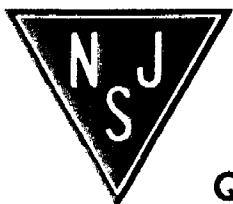
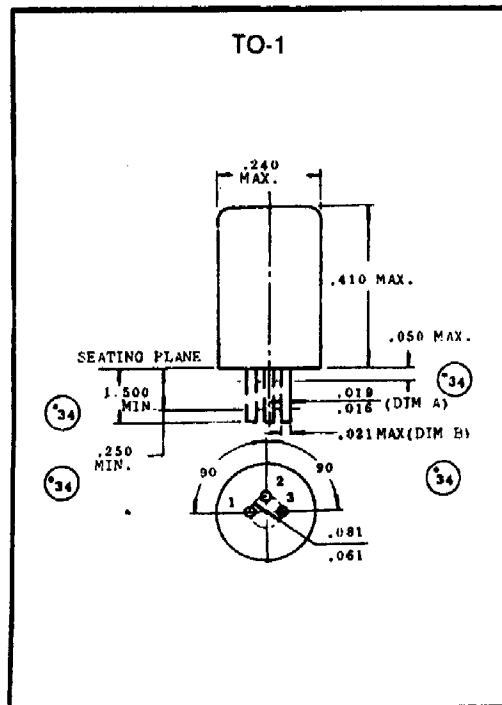


## GERMANIUM SMALL SIGNAL TRANSISTORS

### PRO ELECTRON TYPES

Type	Polarity	$V_{CE0}$ V Max	$V_{EBO}$ V Max	$V_{CB}$ V Max		$@V_{CE}$ V	$I_{CO}$ $\mu$ A Max	$h_{FE}$ Min Max	$@I_C$ mA	$C_{ob}$ pF Max	fab MHz Min	Pack Outline	Power Dissipation @25°C mW
AC107	P	15							300 <sup>1</sup>			TO-1	80
AC116	P	30	12	18		6	8	50-140	20	21 <sup>2</sup>		NS257	145
AC117	P	32	10	18		6	18	40-	150			NS257	260
AC121-IV	P	20	10	20				30-60	100	40	1.5 <sup>2</sup>	TO-1	900
AC121-V	P	20	10	20				50-100	100	40	1.5 <sup>2</sup>	TO-1	900
AC121-VI	P	20	10	20				75-150	100	40	1.5 <sup>2</sup>	TO-1	900
AC121-VII	P	20	10	20				125-250	100	40	1.5 <sup>2</sup>	TO-1	900
AC122	P	30	18	18		6	8	40-200	2 <sup>1</sup>	21 <sup>2</sup>		TO-1	130
AC122/30	P	45	12	32		6	8	40-200	2 <sup>1</sup>	21 <sup>2</sup>		TO-1	130
AC123	P	45	12	32		6	8	50-140	20	21 <sup>2</sup>		NS257	145
AC124	P	45	10	32		6	18	40-170	150			NS257	260
AC125	P	32	10	12		10	10	50-	2	50	1.3	TO-1	500
AC126	P	32	10	12		10	10	65-	2	50	1.7	TO-1	500
AC127	N	32	10	12		10	10	50-	500	70 <sup>2</sup>	2.5	TO-1	340
AC128	P	32	10	16		10	10	55-175	50	100	1.0	TO-1	1,000
AC128K	P	32	10	16		10	10	55-175	50	100	1.0	NS257	1,000



NJ Semi-Conductors reserves the right to change test conditions, parameter limits and package dimensions without notice. Information furnished by NJ Semi-Conductors is believed to be both accurate and reliable at the time of going to press. However, NJ Semi-Conductors assumes no responsibility for any errors or omissions discovered in its use. NJ Semi-Conductors encourages customers to verify that datasheets are current before placing orders.

**Quality Semi-Conductors**