

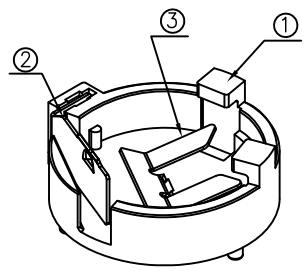
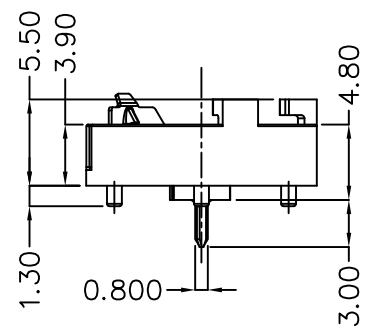
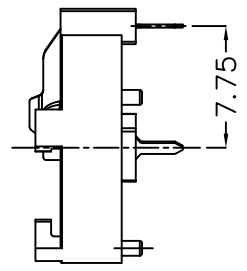
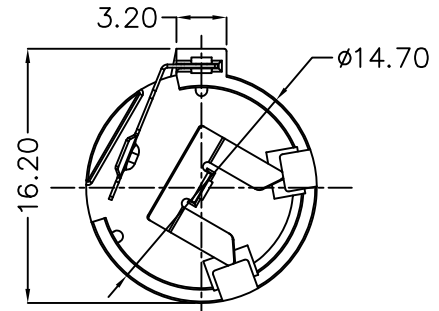


REV.	ECN NO.	REVISED	DATE

NOTE:

- 1.MATERIAL:  
 a.HOUSING:PBT BLACK  
 b.CONTACT:PHOSPHOR BRONZE  
 (SURFACE PLATING: Ni100U"~120U")  
 SEE ORDERING INFORMATION

- 2.ELECTRIC:  
 a.CONTACT RESISTANCE: 30 MILLIOHMS MAX  
 b.INSULATION RESISTANCE: 1000 MEGA OHMS MIN  
 c.DIELECTNIC VOLTAGE: 500V AC ONE SEC LEVEL  
 d.OPERATING TEMPERATURE: -25° C~ +85° C



### ORDERING INFORMATION

## BS-12-A\*\*\*002-F

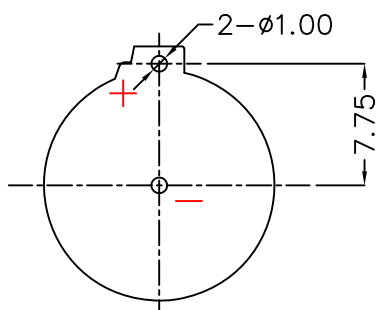
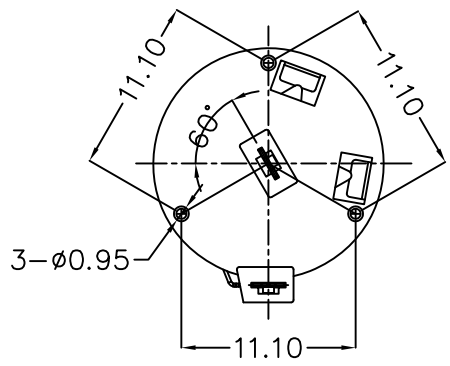
电池座系列

BS-12系列

DIP 90° TYPE

PLATING:  
 A-Au1U"  
 J-Ni100U"~120U"  
 K-Sn100U"~120U"

MATERIAL:  
 1A-PBT BLACK  
 1B-PA66 BLACK  
 2A-PPA BROWN  
 2B-PPA BLACK  
 3A-PPS BROWN  
 3B-PPS BLACK  
 4A-LCP WHITE  
 4B-LCP BLACK



PCB Layout Diagram  
Top View



③	TERMINAL(-)	1	PHOSPHOR BRONZE, T=0.20mm	Ni-Plating
②	TERMINAL(+)	1	PHOSPHOR BRONZE, T=0.20mm	Ni-Plating
①	HOUSING	1	PBT	BLACK
NO.	PART NAME	Q'TY	MATERIAL	PLATING & COLOR

UNLESS OTHERWISE SPECIFIED TOLERANCES		<b>MYOUNG 美阳</b> <a href="http://www.meiyangdz.com">www.meiyangdz.com</a>	
DECIMALS: X :±0.30 X.X :±0.25 X.XX :±0.20 X.XXX :±0.10	ANGLES: X :±1° X.X :±0.5°	DSND YangFeng	DATE 2018-10-05
WEIGHT:		CHKD ZhouRuicai	DATE 2018-10-05
SHEET 1 OF 1		APVD XueShunyong	DATE 2018-10-05
UNIT: mm	REV.: A/1	SCALE:	VIEW:
OBJECT: MY	DRAW NO.:MY-CP-0148	SIZE: A4	TITLE: BS-1220-1-F Ni DIP 反向
PART NO.:		BS-12-A1AJ002-F	